

HONDA Pioneer 1000 Under Dash Storage Tray

Thank you for choosing Rough Country for all your vehicle needs.

Please read instructions before beginning installation. Check the kit hardware against the kit contents shown below. Be sure you have all needed parts and know where they go.

If question exist, please call us @1-800-222-7023. We will be happy to answer any questions concerning this product. Check all fasteners for proper torque. Check to ensure for adequate clearance between all components. Periodically check all hardware for tightness.

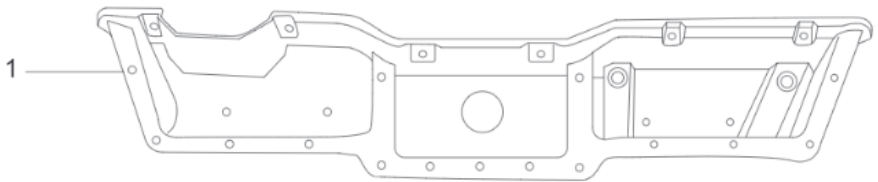
BEFORE YOU BEGIN

1. Read these instructions and check to be sure all parts and tools are accounted for.
2. Please retain these installation instructions for future reference and parts ordering information.

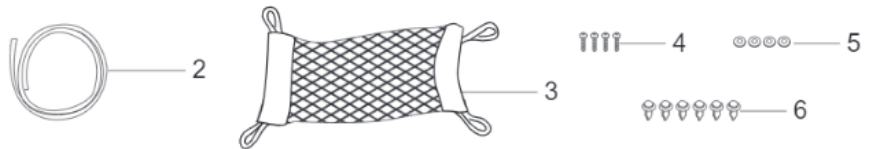
IMPORTANT

1. Please read the installation instructions carefully before you start.
2. If the vehicle is clean and free of other debris, it will be easy to install.
3. For your safety and to ensure a satisfactory installation, please complete all the installation steps in the order shown below.

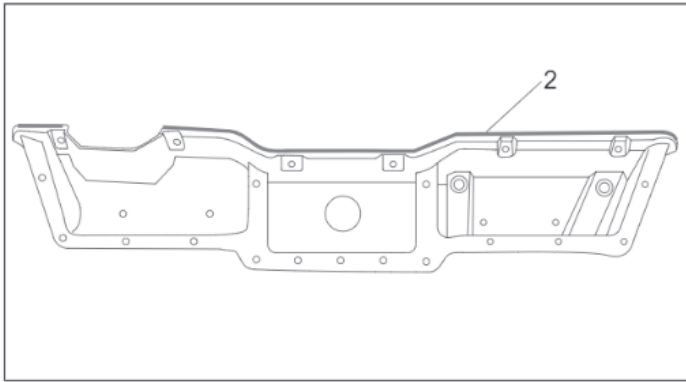
PRODUCT INFORMATION:



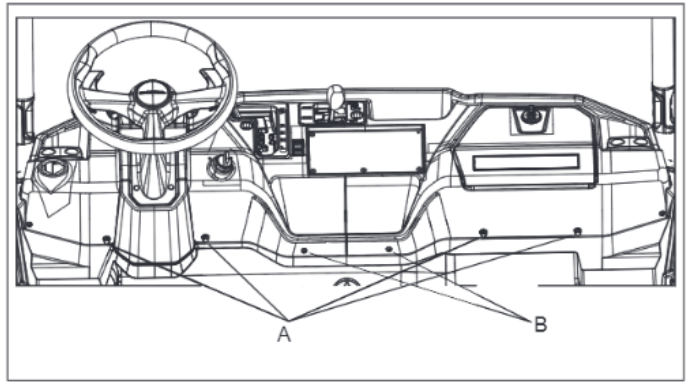
- | | |
|-------------------------------|----|
| 1. Under Dash Storage Box | x1 |
| 2. Rubber Strip | x1 |
| 3. Passenger Side Storage Net | x1 |
| 4. M5X16 Screw | x4 |
| 5. M5 Washer | x4 |
| 6. Push Pin | x6 |



INSTALLATION TIPS:



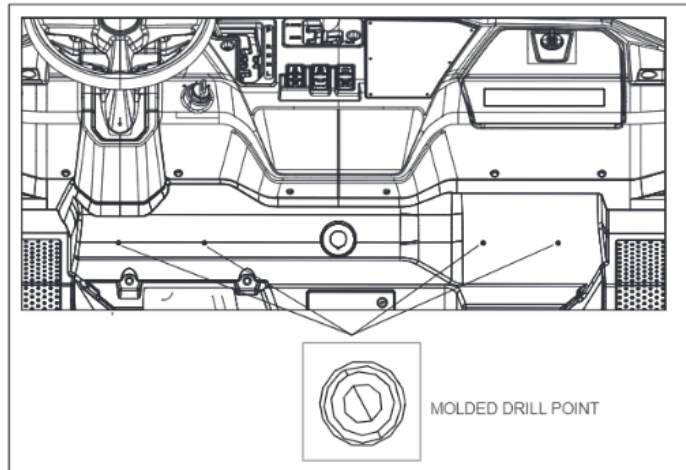
1. Stick the rubber strip [2] along the upper edge of storage box [1], then cut the extra parts.



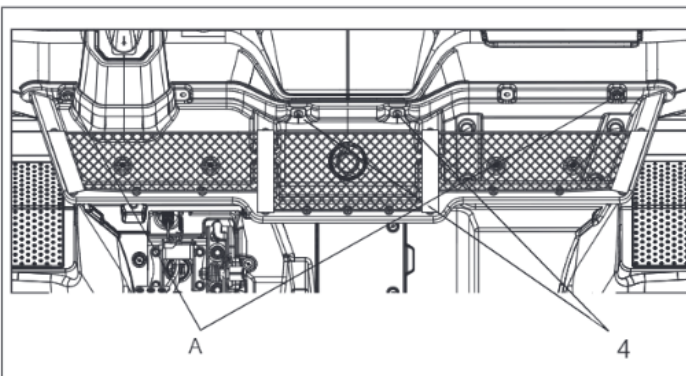
2. Remove and save four trim clips A and two pan screws B from the lower area of the instrument panel.

After '16 Model Year

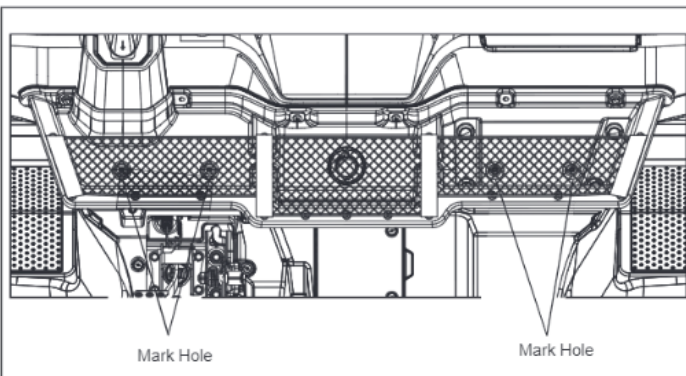
3. Drill four mounting holes at molded drill points in the front floor cover by using the 3/8 inch drill bit. Proceed to step 6 after drilling.



'16 Model Year

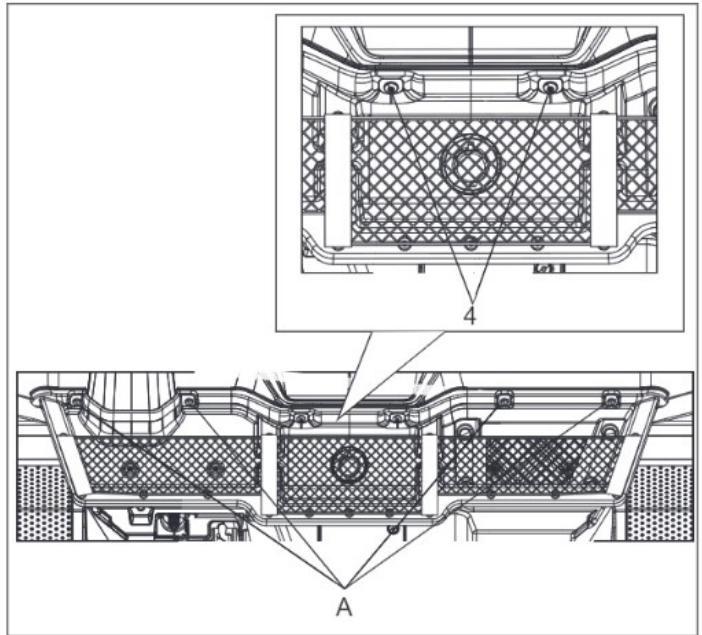


4. Temporarily install the storage box [1] to the front floor cover. Secure its center and upper corners with two M5x16 Screws [4] and two remaining trim clips A.

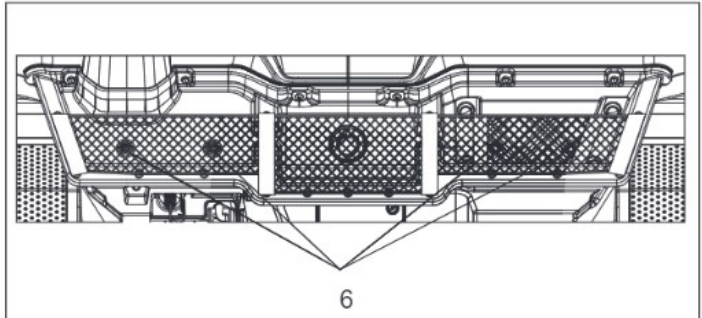


5. Apply upward pressure to hold storage box [1] firmly against the front floor cover. Mark four mounting holes as shown. Remove the box [1] and drill holes by using the 3/8 inch drill bit.

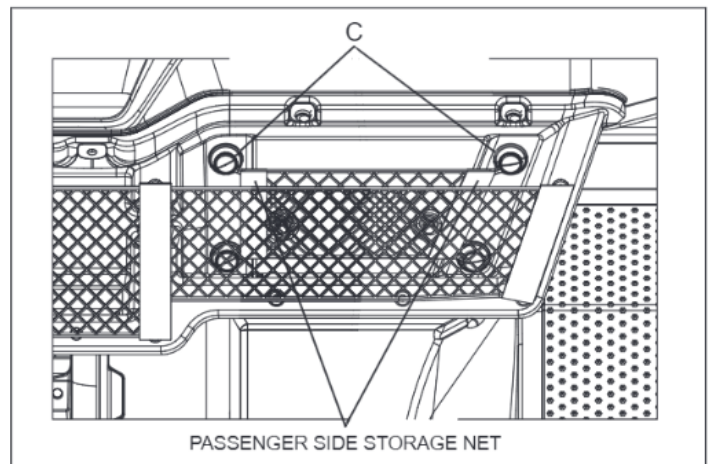
6. Hold the storage box [1] against the instrument panel. Secure it with two M5x16 screws [4], two M5 washers [5] and four remaining trim clips A.



7. Install four push pins [6] to mounting holes drilled in step 3 or step 5.



8. Install the passenger side storage net [3] to four trim clips C. Finish installation.



By purchasing any item sold by Rough Country, LLC, the buyer expressly warrants that he/she is in compliance with all applicable, State, and Local laws and regulations regarding the purchase, ownership, and use of the item. It shall be the buyers responsibility to comply with all Federal, State and Local laws governing the sales of any items listed, illustrated or sold. The buyer expressly agrees to indemnify and hold harmless Rough Country, LLC for all claims resulting directly or indirectly from the purchase, ownership, or use of the items.

