

Toyota Tacoma 2016 + Alternative Rail Clamps

SUPPLEMENT to INSTALLATION INSTRUCTIONS

for eMAX Tonno

Use the included rail and tail clamp assemblies to attach Emax underbody rail to tacoma cargo rail.

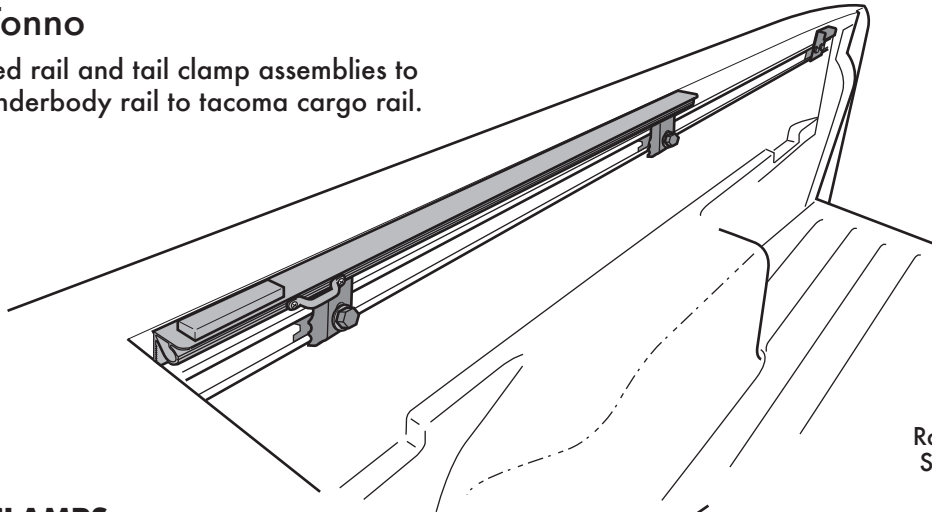
Kit contains:

- Rail clamp assy - qty 4
- Tail clamp assy - qty 2
- 3/16" Allen wrench



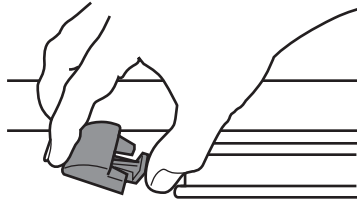
Tool required:

- 1/2" Socket Wrench

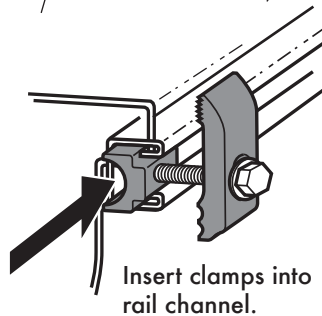


Rail to be flush to bedcap.
Some adjustment may be required for proper fit.

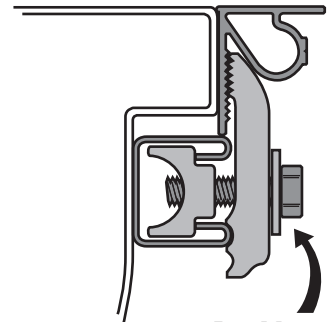
CAB RAIL CLAMPS



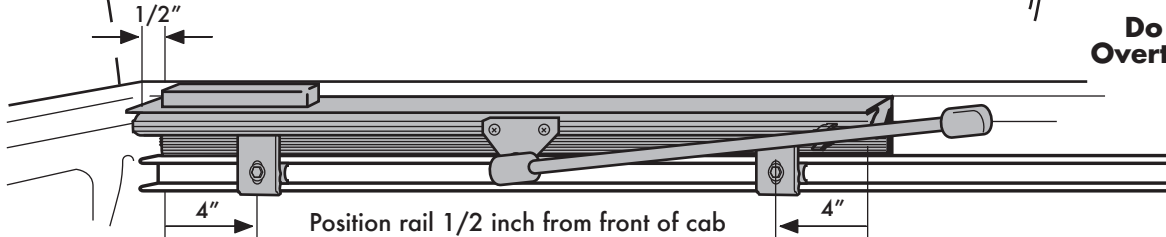
Remove cargo rail end plugs.



Insert clamps into rail channel.

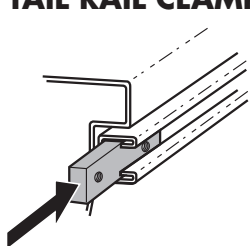


Do Not Overtighten

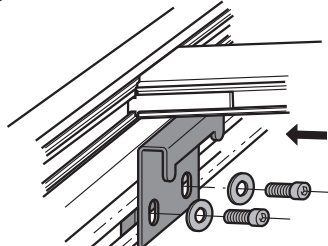


Position rail 1/2 inch from front of cab bulkhead and position clamps 4" from ends of rail.

TAIL RAIL CLAMP

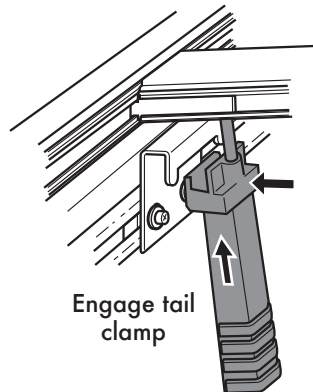


Insert weld nut (one per side).

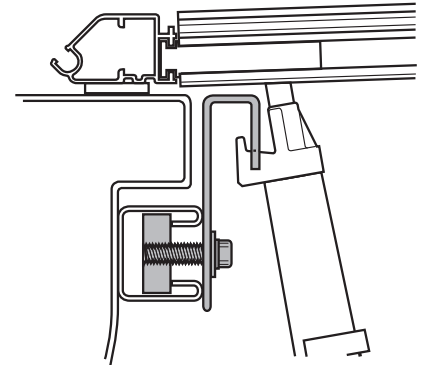


Position under eMAX tail clamp rail and assemble clamp.

Do not overtighten!



Engage tail clamp



Extang Corporation
5400 S. State Road
Ann Arbor, MI 48108
734 677-0444, Fax: 734 677-8409



Register your warranty at:
extang.com

Item No. 22720000-30-1601 RH

©Extang Corp., 2016 Printed in U.S.A.