



FITTING INSTRUCTIONS

Part Number: **5650300, 5650310**

Product

Description: **REAR BAR ONLY**

Suited to

vehicle/s: **YJ-TJ JEEP WRANGLER SWB AND UNLIMITED**

WARNING

REGARDING VEHICLES EQUIPPED WITH SRS AIRBAG:

When installed in accordance with these instructions, the front protection bar does not affect operation of the SRS airbag.

ALSO, NOTE THE FOLLOWING:

- ◆ This product must be installed exactly as per these instructions using only the hardware supplied.
- ◆ In the event of damage to any bull bar component, contact your nearest authorised ARB stockist. Repairs or modifications to the impact absorption system must not be attempted.
- ◆ Do not use this product for any vehicle make or model, other than those specified by ARB.
- ◆ Do not remove labels from this bull bar.
- ◆ This product or its fixing must not be modified in any way.
- ◆ The installation of this product may require the use of specialized tools and/or techniques
- ◆ It is recommended that this product is only installed by trained personnel
- ◆ These instructions are correct as at the publication date. ARB Corporation Ltd. cannot be held responsible for the impact of any changes subsequently made by the vehicle manufacturer
- ◆ During installation, it is the duty of the installer to check correct operation/clearances of all components
- ◆ Work safely at all times
- ◆ Unless otherwise instructed, tighten fasteners to specified torque

ARB 4x4 ACCESSORIES

Corporate Head Office

42-44 Garden St
Kilsyth, Victoria
AUSTRALIA 3137

Tel: +61 (3) 9761 6622
Fax: +61 (3) 9761 6807

Australian enquiries
North & South American enquiries
Other international enquiries

sales@arb.com.au
sales@arbusa.com
exports@arb.com.au

www.arb.com.au

GENERAL CARE AND MAINTENANCE

By choosing an ARB Bar, you have bought a product that is one of the most sought after 4WD products in the world. Your bar is a properly engineered, reliable, quality accessory that represents excellent value. To keep your bar in original condition it is important to care and maintain it following these recommendations:



- Prior to exposure to the weather your bar should be treated to a Canuba based polish on all exposed surfaces. It is recommended that this is performed on a six monthly basis or following exposure to salt, mud, sand or other contaminants.
- As part of any Pre Trip Preparation, or on an annual basis, it is recommended that a thorough visual inspection of the bar is carried out, making sure that all bolts and other components are torqued to the correct specification. Also check that all wiring sheaths, connectors, and fittings are free of damage. Replace any components as necessary. This service can be performed by your local authorized ARB Stockist.

FITTING REQUIREMENTS

REQUIRED TOOLS FOR FITMENT OF PRODUCT:

DRILL WITH 6MM, 6.5MM AND 13MM BITS	CENTRE PUNCH
BASIC TOOL KIT	AIR RATCHET OR PNEUMATIC GUN
WHITE MARKER	

HAVE AVAILABLE THESE SAFETY ITEMS WHEN FITTING PRODUCT:

Protective eyewear		Hearing protection	
--------------------	---	--------------------	---

NOTE: 'WARNING' notes in the fitting procedure relate to OHS situations, where to avoid a potentially hazardous situation it is suggested that protective safety gear be worn or a safe work procedure be employed. If these notes and warnings are not heeded, injury may result.

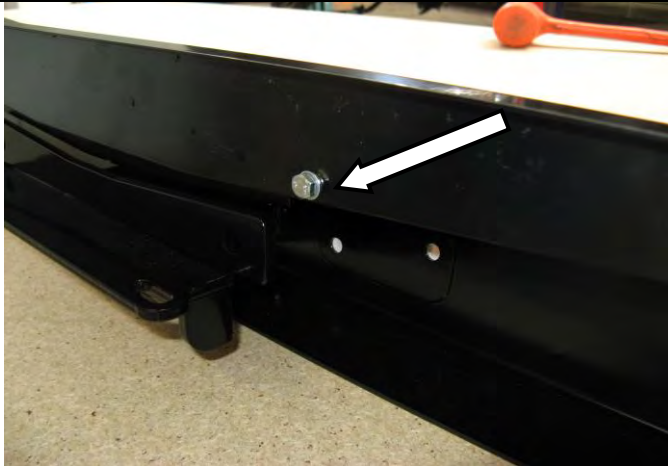
FASTENER TORQUE SETTINGS:

SIZE	Torque Nm	Torque lbft
M6	9Nm	7lbft
M8	22Nm	16lbft
M10	44Nm	32lbft
M12	77Nm	57lbft

PARTS LISTING			
APPLICATION.	PART NO.	QTY	DESCRIPTION
COVER PANEL TO REAR BAR	6522811	1	COVER PANEL
	6151213	4	BOLT M6 X 20 BLACK
	6151173	4	NUT FLANGE M6 BLACK
	4581082	4	WASHER FLAT M6 BLACK
FOG LIGHT BRACKET TO REAR BAR	3758144	1	FOG LIGHT BRACKET
	6151364	2	BOLT M10 SOCKET HEAD
	6151321	2	NUT FLANGE M10 X 1.5
REAR BAR TO VEHICLE	5650300	1	REAR BAR ASSEMBLY
	3787890	1	DRILLING TEMPLATE
	3758189L&R	1PAIR	CHASSIS BRACE
	6151217	4	BOLT M10 X 1.5 X 50
	6151204	4	BOLT M10 X 1.5 X 35
	6151026	4	NUT M10 X 1.5
	6151302	4	NUT CAGE M10
	4581040	12	WASHER FLAT M10
	4581048	8	WASHER SPRING M10
	6151237	4	M8 X 30 TAPTITE BOLT BLACK
	3194132	4	PLATE CAGE NUT
	3163009	2	PLUGS HIGH LIFT JACK POINTS
	MUD FLAPS TO VEHICLE	3194215	2
6151213		14	BOLT M6 X 20 BLACK
6151223		14	NUT M6 NYLOC BLACK
4581082		28	WASHER FLAT M6 BLACK

**OPTIONAL PARTS: 5750300 TYRE CARRIER
5750310 LICENSE PLATE ASSY
5750020 TOW PACKAGE**

FITTING PROCEDURE



1. Remove rear bumper including the two nuts on the centre studs for the tank guard. Retain centre nuts and bottom chassis bolts.
2. Fit cover panel to bar using 4 x M6 x 20 bolts, flat washers and flange nuts. Place bolt head towards the outside of the bar.



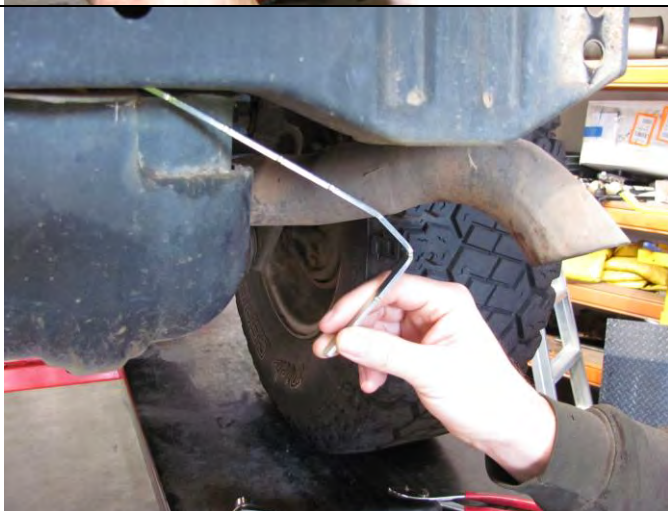
3. Place the drilling template over the existing studs on bottom of chassis and wrap around cross member as shown. Mark the two holes on the rear face using a white marker and then centre punch. Drill a pilot using a 6mm drill bit then enlarge to 14mm (9/16). De-burr and paint holes when done.



4. If fitting to a TJ you must measure inwards 200mm from bottom chassis hole as shown for both sides. Mark and drill this hole to 13mm. De-burr and paint holes when done.



Warning: Drilling operations can result in flying metal debris, safety glasses should be worn.

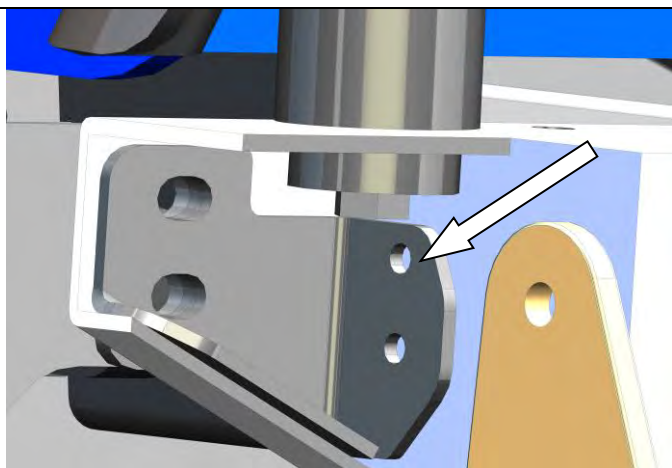


5. Place M10 cage nuts in cage nut plates. Shape nut plate on RH side and slide under exhaust and over tank guard to reach centre RH hole. Visually check that cage nut lines up with drilled hole.

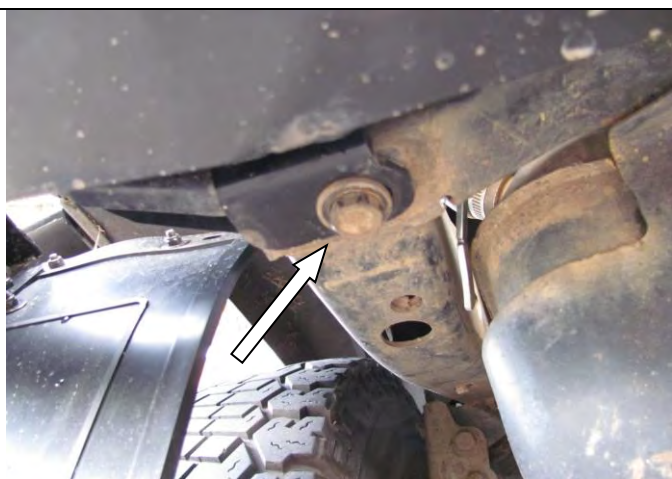
FITTING PROCEDURE



6. Feed LH side cage nut plate over top of chassis and behind fuel tank. Adjust the end with the M10 cage nut so it will sit flat with the drilled centre hole on the LH side.



7. Place outer braces against chassis as shown. Mark the two holes on each side using a felt tip marker. Remove bracket and drill to 6.5mm. Replace bracket and secure to chassis loosley using M8 X 30 black taptite bolts using an air ratchet or pneumatic gun.
8. With the help of a friend lift the bar onto the vehicle making sure to place bar over studs in the centre of the chassis and allow fog light plug to sit on top of bar. Secure bar to outer holes loosley using M10 x 50 bolts, spring washers, flat washers and M10 nuts.



9. Fit original bolts to underside of chassis rails. Tighten them up so it lifts the bar up but do not fully tighten yet.
10. Using two M10 x 35mm bolts, spring washers and flat washers secure bar to the drilled centre holes and into cage nut plates. Move bar either left or right to line up holes correctly. Do not fully tighten.



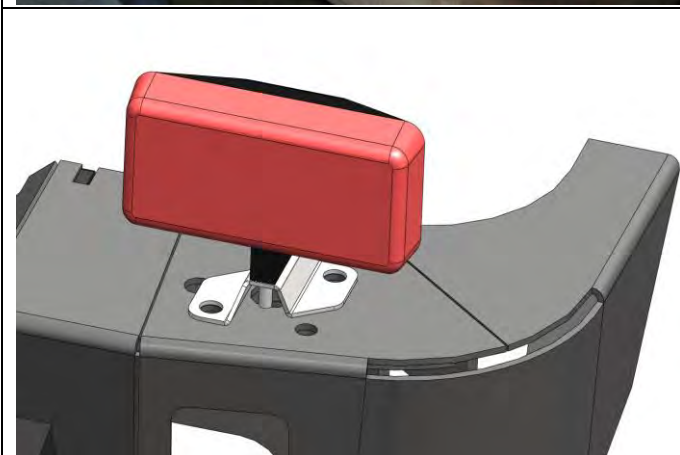
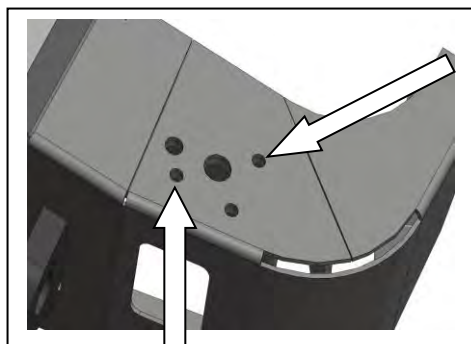
11. Place cage nut plates on inside of cross member for outer drilled holes and secure using M10 x 35mm bolts, spring washers and flat washers. Once this is complete tighten bottom chassis bolts first followed by all other fasteners.



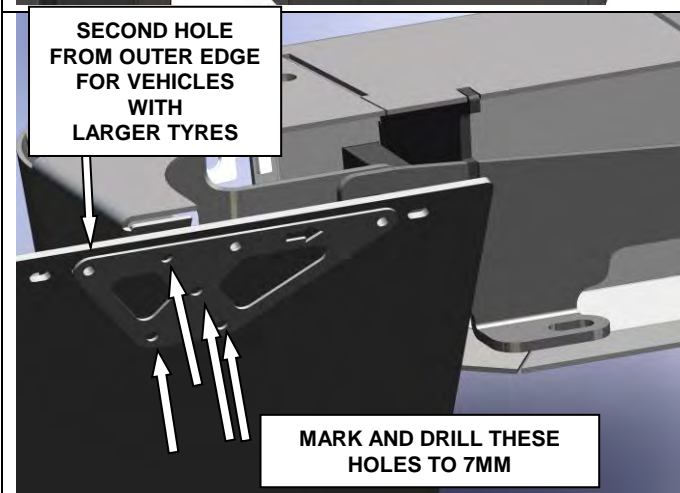
12. Re-fit two centre tank guard nuts. Do not over tighten. If centre studs are in bad condition or broken do not be alarmed as these are not critical for bar fitment.



13. If fitting fog light punch out 2 mounting holes in bar as shown.



14. Fasten fog light to mount bracket. Secure bracket to bar using 2 x M10 x 35 socket head cap screws and flange nuts.



15. If fitting ARB mud flaps use brackets as shown. Arrow in bracket must face towards chassis. Place bracket on mud flap using outer hole for standard tyres and second hole from outer end for larger tyres. Mark and drill these holes as shown in mud flap to 7mm. Once this is complete fit mud flap to bar using black M6 hardware. Fit rubber jacking plugs and clean bar when done.

NOTE: It may be required to trim mud flap to suit exhaust/ shackles etc.

FITTED PRODUCT

