

INSTALLATION INSTRUCTIONS

BRACKET	OVAL SIDER BAR WIDESIDER 4"	WHEEL TO WHEEL WIDESIDER 4"	RUNNING BOARD WIDESIDER 5" & 6"	VEHICLE	YEAR
6844295	64429B / 67429PS	-	680080 / 680087	TOYOTA TACOMA DOUBLE CAB	05-13

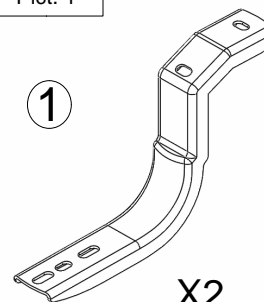
PARTS LIST:

ITEM	QTY.	DESCRIPTION	MAX.TORQ.
1	2	3911886AB FRONT DRIVER AND PASSENGER BRACKET	
2	4	3911886BB MID AND REAR DRIVER AND PASSENGER BRACKET	
KTE-392895 HARDWARE KIT			
3	12	- 5/16X15/16" BLACK SQUARE HEAD BOLT	11LB/FT.
4	12	- 5/16" BLACK NUT	11LB/FT.
5	12	- 5/16" BLACK FLAT WASHER	-
6	12	- 5/16" BLACK LOCK WASHER	-
7	12	- M8X25 ZINC PLATE HEX HEAD BOLT	11LB/FT.
8	12	- 5/16" ZINC PLATE FLAT WASHER	-
9	12	- 5/16" ZINC PLATE LOCK WASHER	-
10	1	NOTE: 394188(9-8-6-0) / 64429(B-C-PS) INCLUDE: OVAL WIDE SIDER BAR SET.	-

TOOLS REQUIRED NOT INCLUDED:

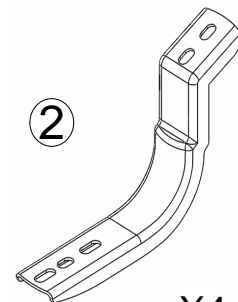
DESCRIPTION	CANT.
RATCHET.	1
12 mm SOCKET	1
13 mm SOCKET	1
5" EXTENSION RACHET.	1
15mm WRENCH	1

Pict. 1



X2

FRONT DRIVER AND
PASSENGER BRACKET

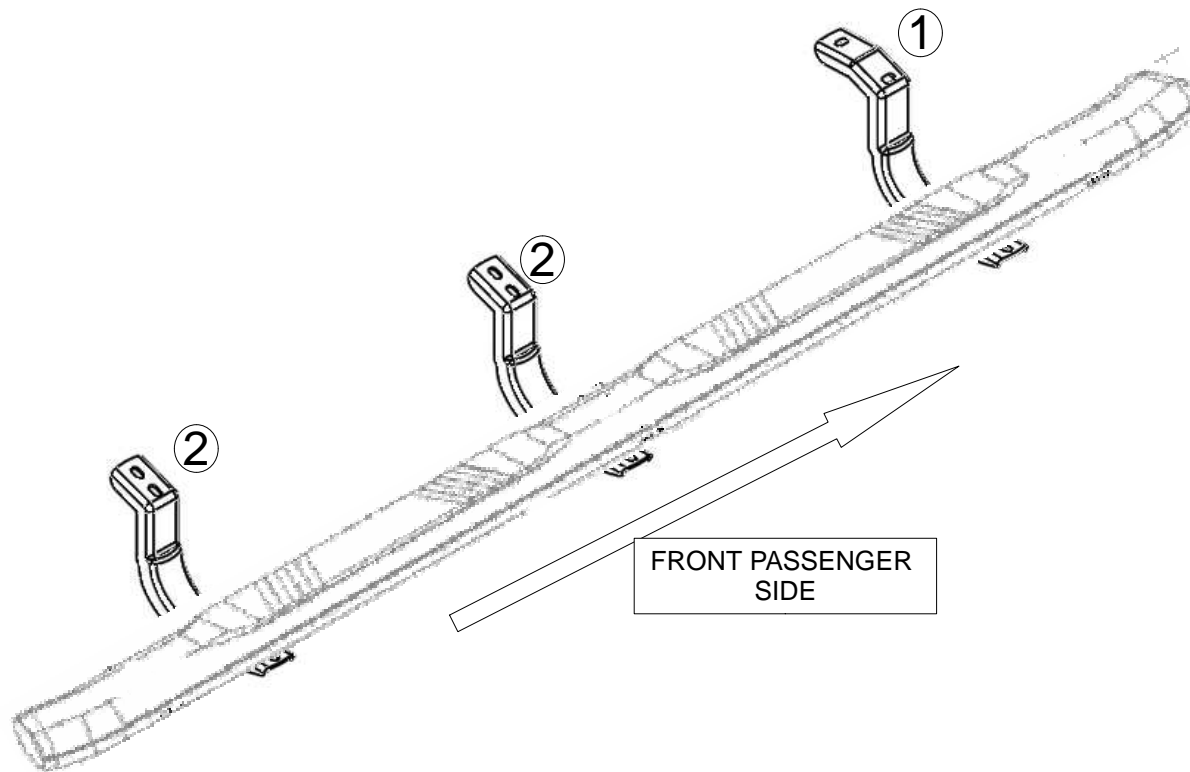


X4

MID AND REAR, DRIVER
AND PASSENGER
BRACKET

pict. 2

APPROXIMATED INSTALLATION TIME: 30 MIN.



Cleaning an care instructions:

Design

Quality:

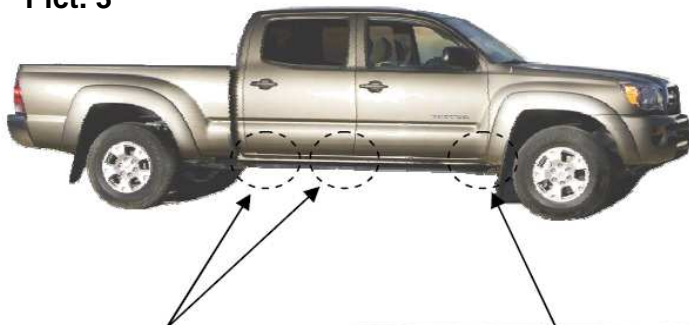
Protect the finish whit a non- abrasive automotive wax.(e.g. Pure carnauba) on a regular basis. The use of any soap, polish, or, wax that contains an abrasive is detrimental to the finish, as the compounds scratch the finish and cause corrosion.

INSTALLATION INSTRUCTIONS

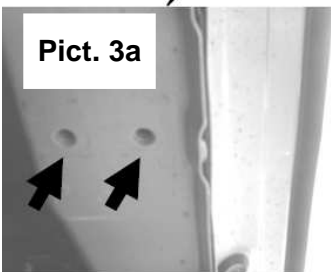
1. Before beginning the installation read all instructions Carefully and verify that all the hardware is accounted for. If There are any listed part missing please notify your Distributor immediately.

2. See pictures 3a y 3b and locate the holes where the Brackets are going to be installed,

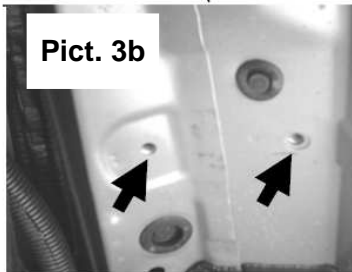
Pict. 3



Pict. 3a



Pict. 3b



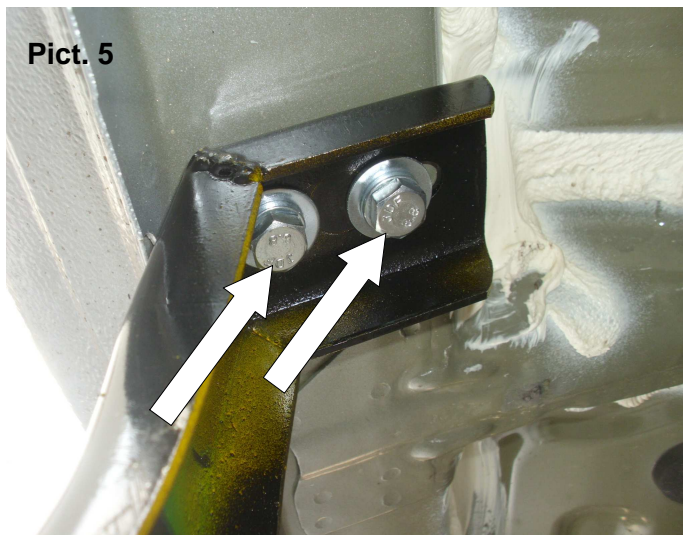
3. For the front bracket install two M8x25 hex head Galvanized bolts, two flat washers and two lock washers. See picture 4 and repeat it in the opposite side of the Vehicle. Leave loose.

Pict. 4



4. To install middle and rear brackets use two M8x30 Hex head galvanized bolts, two flat washers and two lock Washers for each bracket see picture 5 and repeat it in The opposite side. Leave loose.

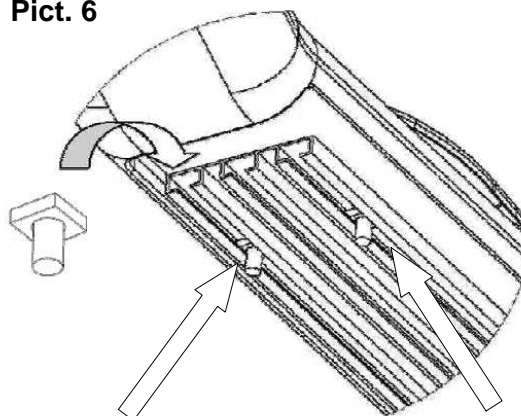
Pict. 5



5. Now proceed to install the running board/ sidebar (sold separately)

6. To install the Running Board, please three square head Bolts per each channel that it's located on the bottom (discard middle channel) refer picture 6.

Pict. 6



Cleaning an care instructions:

Design:

Quality:

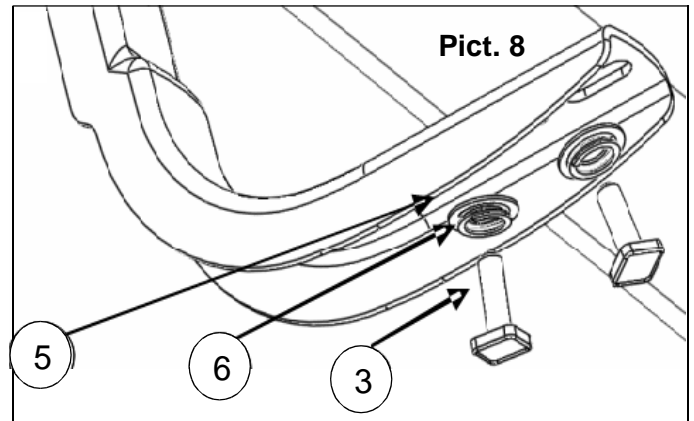
Protect the finish whit a non- abrasive automotive wax (e.g. Pure carnauba) on a regular basis. The use of any soap, polish, or, wax that contains an abrasive is detrimental to the finish, as the compounds scratch the finish and cause corrosion.

INSTALLATION INSTRUCTIONS

7. Place the Running Board above the brackets attach it with: two 5/16" square head bolt, two 5/16" hex nuts, two 5/16" flat washers and two 5/16" lock washers, per bracket, all in a black color. See picture 7 and repeat in the opposite side. Leave loose.



8. If you are going to install an oval sidebar use: two square head bolt, two 5/16" flat washers, two 5/16" lock washers and two 5/16" nuts per bracket (all hardware in black). See picture 8 and repeat in the opposite side. Leave loose. Use this step for widesider 4" & 5" & 6" installation.



9. Align Sidebar, and then get tighten all bolts.
10. Do not use abrasive substances to clean your product.
11. Periodically check your product because it may need a re-tighten of bolts.
12. Fill the warranty card and place it inside your vehicle's glove box

Cleaning and care instructions:

Design:

Quality:

Protect the finish with a non-abrasive automotive wax (e.g. Pure carnauba) on a regular basis. The use of any soap, polish, or wax that contains an abrasive is detrimental to the finish, as the compounds scratch the finish and cause corrosion.