



# PERFORMANCE EXHAUST SYSTEM



## INSTALLATION INSTRUCTIONS

### 67-1561

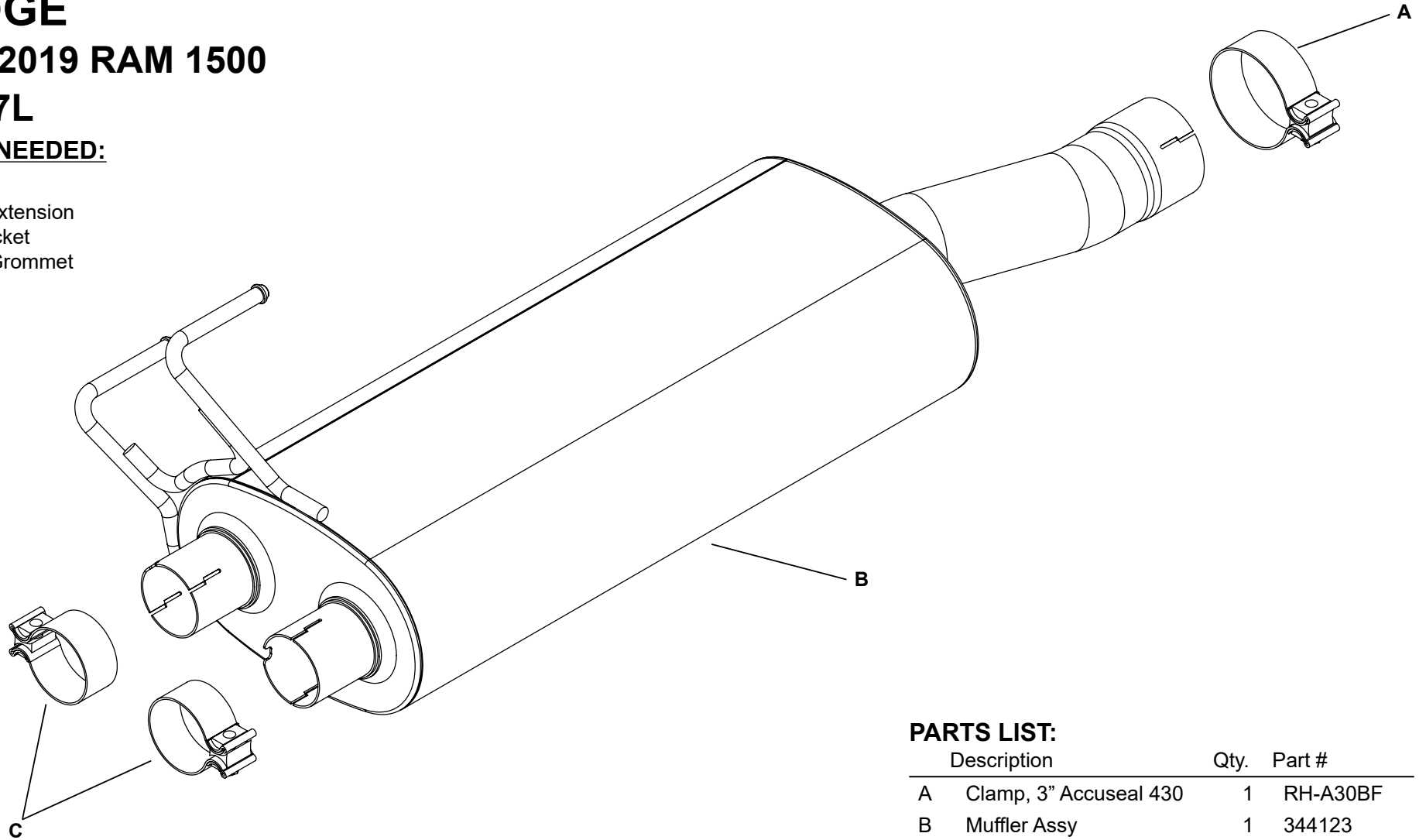
### DODGE

### 2009-2019 RAM 1500

### V8-5.7L

#### TOOLS NEEDED:

- Ratchet
- Ratchet Extension
- 15mm socket
- Exhaust Grommet Remover



#### PARTS LIST:

Description	Qty.	Part #
A Clamp, 3" Accuseal 430	1	RH-A30BF
B Muffler Assy	1	344123
C Clamp, 2.25" Accuseal 430	2	RH-A225BF

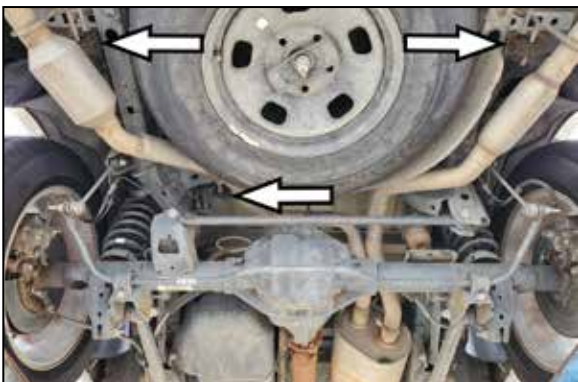
#### TO START:

1. Turn off the ignition and allow engine and exhaust to cool to the touch.

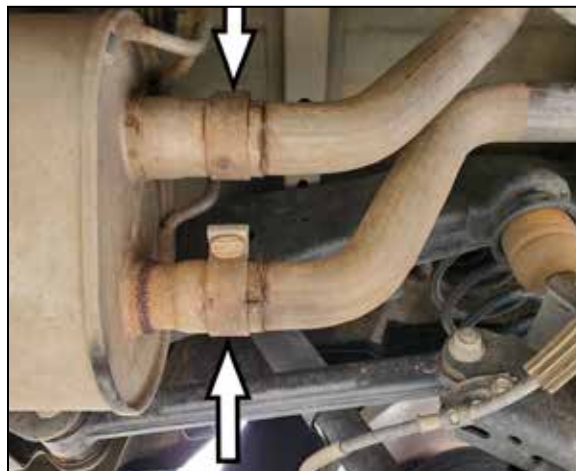
**WARNING: Exhaust components can be extremely hot after vehicle operation and can severely burn you.**

Raise the vehicle to access the factory exhaust system with a lift or appropriate jack and properly positioned stands. It may be helpful to spray all existing hardware and hanger assemblies being removed with a penetrating oil or similar lubricant and allow to soak, especially if older and rusted.

**WARNING: If working without a lift always use the correct jack points and lifting procedures specified by the vehicle manufacturer. Serious injury or death could occur if proper safety measures are not followed.**



2. Lubricate all insulators before and throughout the installation process to ease removal of the stock muffler and tail pipes



3. Loosen muffler outlet clamps.



4. Remove the passenger side rubber insulator. Gently work the tailpipe rearward by moving the tailpipe side-to-side while gradually pulling rearward from the muffler outlet.



5. Remove the driver side tailpipe insulators. Once the driver's side tailpipe is free from the insulators, gently work the tailpipe rearward by moving the tailpipe side-to-side while gradually pulling rearward.







6. Loosen muffler inlet clamp



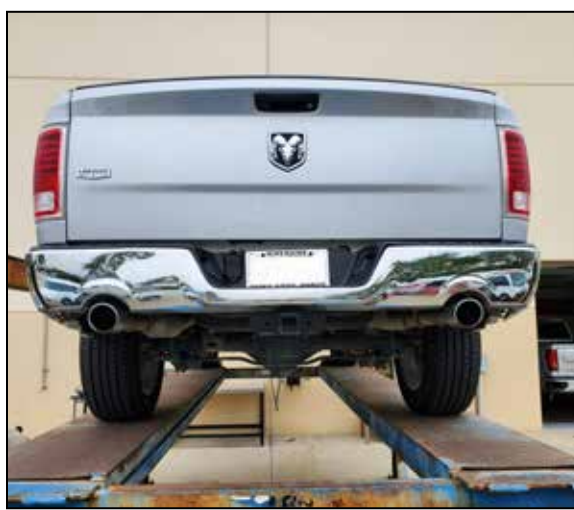
7. Remove the small clip attached to the stainless-steel braid in front of the rubber. Now remove the muffler from the rubber insulators (leave insulators on frame side).



8. Slide the inlet clamp on to K&N muffler assembly. Then slide muffler assembly onto midpipe followed by inserting muffler hangers into insulators. **NOTE: Do not tighten the muffler inlet clamp at this time.** Install clip with stainless steel braid on muffler hanger and then slide clamps on to muffler outlets.



9. Insert driver/passenger side tailpipe into muffler outlet, then slide rubber insulators onto tailpipe assembly and then to the frame hangers. **Do not tighten clamp at this time.** Ensure that each tailpipe assembly is fully inserted with locating pins aligned.



10. Check alignment of driver and passenger tip assembly and reposition as necessary. Once final position is satisfactory, tighten all hardware and band clamps from front to rear of vehicle. Ensure that the band of the clamp is covering the "Z-notch" of each inlet and outlet to avoid leaks. Clean exhaust tip of any finger prints or grease marks. **NOTE: All band clamps should be torqued to 40-45 ft-lbs.**



11. Double check to make sure everything is tight and properly positioned before lowering vehicle to the ground. **NOTE: If necessary, the TIP assemblies can be adjusted via conical clamp near the end.**

#### ROAD TESTING:

1. Start the engine with the transmission in neutral or park, and the parking brake engaged. Listen for exhaust leaks or odd noises. For exhaust leaks secure flanges and/or connections. For odd noises, find cause and repair before proceeding. This kit will function identically to the factory system except for being louder.
2. Test drive the vehicle. Listen for odd noises or rattles and fix as necessary.
3. If road test is fine, you can now enjoy the added power and performance from your exhaust system.

\* FREE K&N® decal To register your warranty, please see us online at [knfilters.com/register](http://knfilters.com/register). FREE K&N® decal \*