



# RD221

**GM 8.5" & AAM 860  
10 BOLTS, 28 SPLINE**

---

**AIR OPERATED  
LOCKING DIFFERENTIAL  
INSTALLATION GUIDE**

---

No liability is assumed for damages resulting in the use of the information contained herein.  
ARB Air Locker Air Operated Locking Differentials and Air Locker are trademarks of ARB Corporation Limited.  
Other product names used herein are for identification purposes only and may be trademarks of their respective owners.

---

# **ARB 4x4 ACCESSORIES**

## **Corporate Head Office**

**42-44 Garden St  
Kilsyth, Victoria  
AUSTRALIA  
3137**

**Tel: +61 (3) 9761 6622**

**Fax: +61 (3) 9761 6807**

**Australian enquiries**

**North Central and South American enquiries**

**Other international enquiries**

**sales@arb.com.au**

**sales@arbusa.com**

**exports@arb.com.au**

---

**www.arb.com.au**

## Table of Contents:

<b>1</b>	<b>Introduction</b>	<b>3</b>
1.1	Pre-Installation Preparation	3
1.2	Tool-Kit Recommendations	4
1.3	Assembly Type Identification	5
<b>2</b>	<b>Removing the Existing Differential</b>	<b>6</b>
2.1	Vehicle Support	6
2.2	Differential Fluid Drain	6
2.3	Removing the Axles	7
2.4	Marking the Bearing Caps	8
2.5	Checking the Current Backlash Amount	9
2.6	Removing the Differential Center	10
<b>3</b>	<b>Installing the Air Locker</b>	<b>11</b>
3.1	Insuring Adequate Oil Drainage	11
3.2	Installing the Carrier Bearings	13
3.3	Approximate Backlash Shimming	15
3.4	Mounting the Ring Gear	17
3.5	Drilling and Tapping the Bulkhead Port	18
3.6	Assembling the Seal Housing	19
3.7	Pre-Load Shimming	20
3.8	Final Installation of the Air Locker	21
3.9	Reinstalling the Bearing Caps	22
3.10	Checking the Backlash	23
3.11	Profiling the Seal Housing Tube	24
3.12	Setting up the Bulkhead Fitting	26
3.13	Bench Testing the Air Locker	27
3.14	Reinstalling the Axles	28
<b>4</b>	<b>Installing the Air System</b>	<b>31</b>
4.1	Mounting the Solenoid	31
4.2	Running & Securing the Air Line	33
4.3	Connection to the Bulkhead Fitting	34
<b>5</b>	<b>Mounting &amp; Connecting the Electrical System</b>	<b>35</b>
5.1	Mounting the Actuator Switch(es)	35
5.2	Wiring the Actuator System	36
<b>6</b>	<b>Testing &amp; Final Assembly</b>	<b>40</b>
6.1	Leak Testing	40
6.2	Testing the Air Locker Actuation	41
6.3	Re-Sealing & Filling the Differential	41
6.4	Post-Installation Check List	42
<b>7</b>	<b>Parts List</b>	<b>44</b>
7.1	Exploded Assembly Diagram	44
7.2	Specifications	44
7.3	Itemized Parts List	45



## 2 Removing the Existing Differential

### **IMPORTANT :**

**BEFORE ATTEMPTING TO DISMANTLE YOUR VEHICLE FOR THIS INSTALLATION, PLEASE READ THIS INSTALLATION GUIDE IN ITS ENTIRETY, AS WELL AS ALL APPLICABLE SECTIONS OF YOUR VEHICLE MANUFACTURER'S SERVICE MANUAL.**

### **1.1 Pre-Installation Preparation**

This booklet is to be used in conjunction with your vehicle manufacturer's service manual. ARB endeavors to account for every possible variation in vehicle model when publishing its installation guides, and guides are updated regularly as new model information becomes available, however, the rapid and globally varied release of some vehicles makes it difficult to insure that your vehicle model has been accurately accounted for. In the case of any technical discrepancies between this guide and your service manual, we strongly advise that you adhere to the specifications and techniques as documented in your service manual.

Although your *ARB Air Locker* comes complete with all the step by step instructions you will need to supplement your vehicle manufacturer's service manual and install your new differential, ARB recommends that you have your *Air Locker* installed by a trained professional. Many ARB distributors around the world have been fully instructed in *Air Locker* installations by ARB, and have gained a wealth of experience and skill from years of performing similar installations.

Once you begin this installation your vehicle will be immobile until all steps of the installation are complete. Make sure your *Air Locker* kit is the correct model for your vehicle and that it contains all of the parts listed on back cover of this booklet. Also be sure you have appropriately equipped yourself with all the necessary tools, parts, and materials to complete this installation (see section 1.2 *Tool-Kit Recommendations*), and that you have allowed for an appropriate amount of vehicle down time.

#### **HINT :**

Place a ✓ mark inside each of the  symbols as you complete each step. It is very important NOT to miss any of the steps!

# 1 Introduction

## 1.2 Tool-Kit Recommendations

Below is a list of tools and supplies you may need to complete this installation. Requirements for your vehicle may vary. Please consult your vehicle service manual for additional recommendations.

### 1.2.1 Tools

- Standard automotive sizes (metric and/or imperial) of sockets, wrenches, Allen keys, and drills.
- A dial indicator or other suitable measuring tool for checking ring & pinion backlash.
- A standard automotive feeler gauge.
- Automotive brake tubing cutters to cut the steel tubing.
- A razor knife to cut the nylon tubing.
- A differential housing spreader, to facilitate removal and installation of the carrier. (e.g. ARB Spreader #0770003)
- A torque wrench. (See vehicle manual for required torque range.)
- A lubricant drain reservoir.
- Suitable measuring tools to measure a differential for pre-load and/or backlash shimming. (e.g. an automotive feeler gauge. See Section 3 *Bench Measurement*)
- An 11.2mm [7/16"] drill and ¼" NPT tap for bulkhead fitting installation.
- An automotive bearing puller (e.g. ARB Bearing Puller #0770001) or a differential carrier bearing puller.
- A bearing press or arbor press.
- A suitable shim driver (e.g. ARB Shim Driver #0770004)
- A soft hammer (e.g. raw hide or nylon)

### 1.2.2 Supplies

- Thread lubricant/sealant compound (e.g., LOCTITE #567 Teflon Paste)
- Thread locking compound (e.g., LOCTITE #272)
- A replacement gasket, or gasket sealant, for your third member.
- A sufficient volume of differential oil to completely refill your housing. (see the *ARB Air Locker Operating and Service Manual* for recommended lubricants)
- A soap and water mixture to test for air leaks.



# 1 Introduction

## 1.3 Assembly Type Identification

### **IMPORTANT:**

Sections 2 and 3 of this installation guide have been written to accommodate two different application installations:

- A** the live axle Salisbury type (removable rear diff cover) with a cast iron housing. (Refer to Fig.1.)
- B** the live axle Banjo type with a cast iron housing. (Refer to Fig.2.)

To eliminate confusion, you should identify which figure your vehicle matches with. The section numbers within the guide that refer ONLY to the Salisbury type have been suffixed with an '**A**', and those that refer ONLY to the Banjo type have been suffixed with a '**B**'.

**PLEASE IGNORE ALL SECTIONS WHICH  
DO NOT APPLY TO YOUR APPLICATION**





## 2 Removing the Existing Differential

### 2.1 Vehicle Support

- Safely secure the vehicle on a hoist. We recommend supporting the vehicle on a chassis hoist to keep the differential area at a convenient working height and to leave the wheels and axles free to be rotated and removed.
- Once supported off the ground, release the parking brake and leave the vehicle in neutral. Chock the wheels if necessary.

### 2.2 Differential Fluid Drain

**HINT :** This is a good time to check for metal particles in your oil, on your drain plug, or in the bottom of the housing which may indicate a worn bearing or differential component.

- Clean any loose dirt from around the differential cover flange / third member flange area, the filler plug area, and the drain plug (if any) to avoid contaminating the differential cavity with abrasive particles.
- Position a fluid drain reservoir under the differential.
- If a drain plug exists, remove it and completely drain all differential oil from the housing.
- If no drain plug exists then the oil can be drained by loosening the cover bolts and gently prying the cover away at the bottom until oil runs out.

**HINT :** If a drain plug does not exist then it would be a good idea to drill and tap for a tapered oil drain plug to assist with future oil changes.

- Once drained, reinstall the drain plug.



## 2 Removing the Existing Differential

### 2.3 Removing the Axles

#### **IMPORTANT :**

Collision damage or heavy off-road use of your vehicle in the past may have resulted in some degree of bending in the axle. Any misalignment of the axle tubes may result in excessive wear and/or failure of your differential and axle shafts. ARB strongly recommends that you have your axle assembly inspected for concentricity and straightness before installing your *Air Locker*.

- Remove both of the rear wheels and brake drums/rotors according to your vehicle manufacturer's service manual.

#### 2.3.1 **A** Salisbury Type Axle

- Remove the diff cover if it has not been done.
- Rotate the differential carrier using the drive shaft until you have clear access to the cross shaft retaining pin.
- Completely remove the retaining pin from the differential carrier.
- Rotate the differential carrier again until you can completely remove the cross shaft.
- Tap the axle shafts inward to unseat the 'C' clips from their pockets in the center of the differential side gears.
- Using needle nosed pliers, remove both 'C' clips from the differential.
- Tap the axle shafts outward until the splines are disengaged from the differential side gears.
- Gently slide the axle shafts out of the axle tubes until they can be completely removed from the vehicle.

**NOTE :** The oil seals are delicate and can be easily damaged. Support the weight of the axle shafts when drawing them out of their sockets in the housing.

## 2 Removing the Existing Differential

### 2.3.2 B Banjo Type Axle

- Remove the bolts securing the axles in place at the back of the wheel hub.
- Pull the axle shafts out of the axle tubes until they are completely disengaged from the differential center.
- Loosen the drive shaft from the differential third member.
- Loosen all nuts securing the differential to the diff housing. The third member should then be free to be removed from the vehicle.

**NOTE :** The differential is heavy and quite difficult to handle when covered in oil. Take care not to drop it.

### 2.4 Marking the Bearing Caps

- Using a pointed center punch, gently mark the bearing caps in a way that will enable you to know which cap is 'LEFT' and which cap is 'RIGHT', which way is 'UP' and which way is 'DOWN'. (Fig.3.)

**HINT :** Many installers choose to make one punch mark on the left hand side of the left hand bearing cap and one similar punch mark on the housing at close proximity to the cap mark. The RHS is then designated with two punch marks on the RHS of the cap and two similar punch marks on the housing.



## 2 Removing the Existing Differential

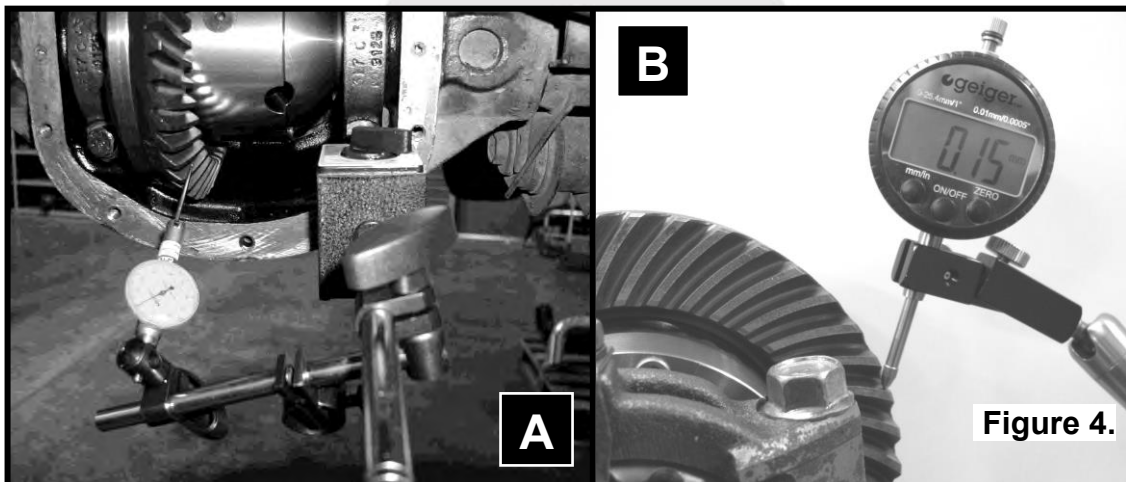
### 2.5 Checking the Current Backlash Amount

#### **IMPORTANT:**

This step is a precautionary measure recommended by ARB due to the fact that some after market ring and pinion sets have been manufactured to run with different backlash settings than those specified by your vehicle manufacturer. Although ARB must recommend you set backlash according to your service manual guidelines, we also advise that you compare the backlash measurements taken here to the recommended backlash settings in your vehicle service manual. Measurements found to be outside of your service manual recommendations may indicate the need to deviate from those settings in order to achieve quiet running with a good contact mark.

Refer to your vehicle service manual or your local authorized ARB installer for more information.

- Set a depth indicator on one of the ring gear teeth as in figure 4.



- While supporting the pinion gear by holding the drive shaft flange, rotate the differential in both directions while observing the maximum variation in depth from the indicator (i.e., the highest value minus the lowest value). This value is referred to as the ring and pinion backlash.
- Rotate the differential center 90° and measure again for accuracy.
- Record the average of all measurements.

## 2 Removing the Existing Differential

### 2.6 Removing the Differential Center

#### **IMPORTANT:**

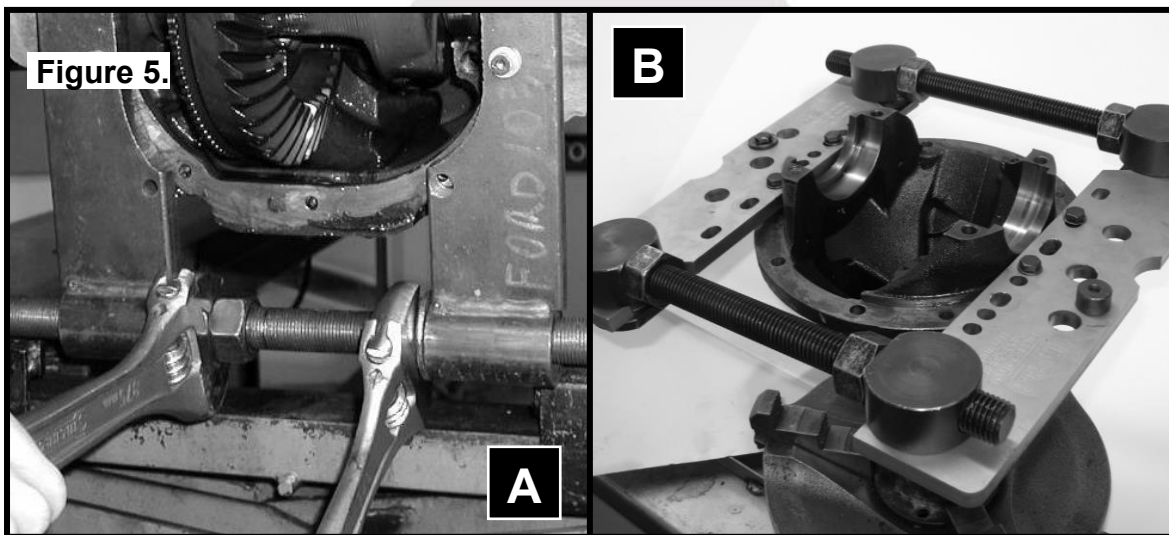
**YOU MUST SPREAD ALL MODELS WITH CAST IRON HOUSING.**

Spreading the differential housing with a differential case spreader is a step which is critical to set up bearing pre-load on the differentials. Improper pre-load will result in undue bearing wear, increased stresses in the differential center, increased running noise, and ultimately, ring and pinion gear damage.

- Remove both bearing caps.
- Carefully spread the housing (Fig.5.) enough to remove the differential center. (Refer to your vehicle's service manual).

**NOTE :** Do not spread the housing more than 0.50mm [0.020"].

- Once the housing has been adequately spread, the differential may be removed by pulling forward on the differential carrier.



**NOTE :** The differential center is heavy and quite difficult to handle when covered in oil. Take care not to drop it.

**NOTE :** Be sure not to mix up the left and right hand bearing cups and master shims. Later it will be necessary to know which cup and shim came from which side.

- Relieve any tension on the spreader immediately after the differential has been removed.

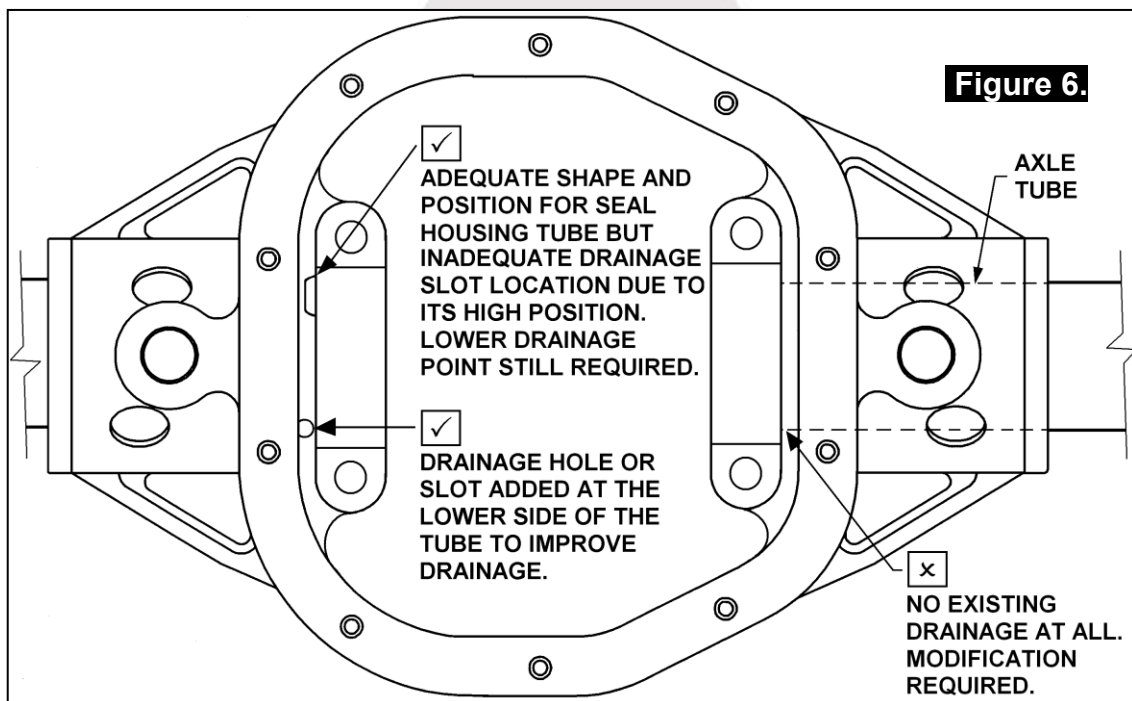
### 3 Installing the Air Locker

#### 3.1 A Insuring Adequate Oil Drainage

##### **IMPORTANT:**

Some axles were manufactured with poor oil drainage between the axle tubes and the differential housing. This can often result in one of the axle tubes filling up with differential oil while running. In most cases this will result in a blocked air vent which will cause the differential housing to pressurize and expel oil from the axle seals at the wheels or force oil into the air system of the *Air Locker*, eventually expelling oil at the solenoid valve. This is a design flaw which was corrected by most automakers in the later releases of their axle assemblies. If no lower drainage points are present in the differential housing then it is critical that you modify the housing to include them.

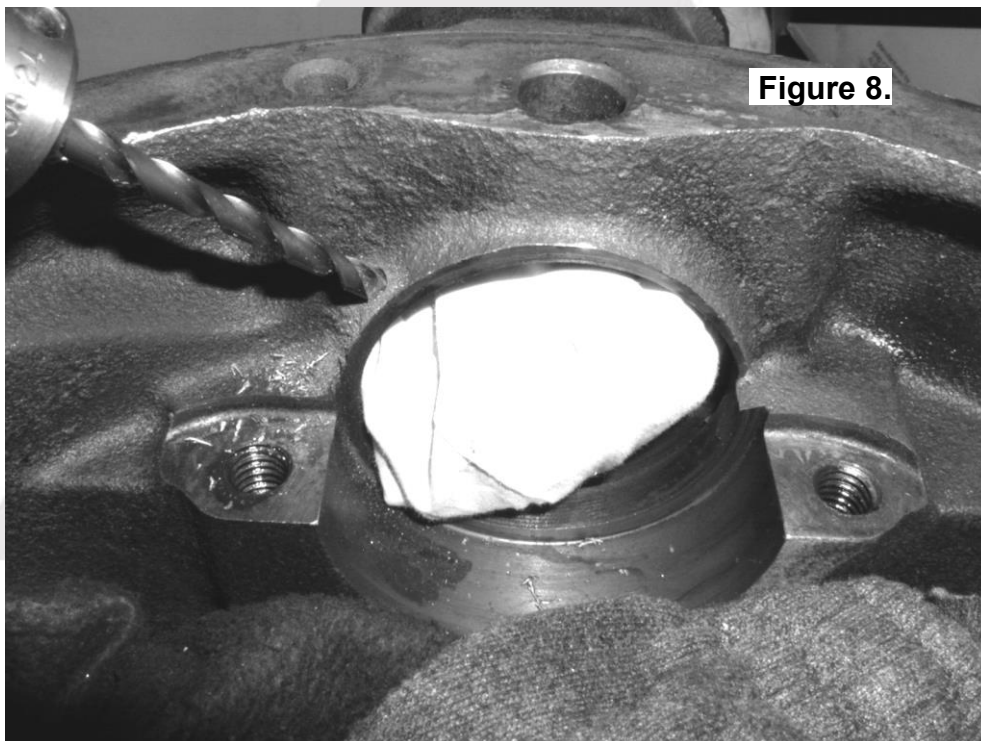
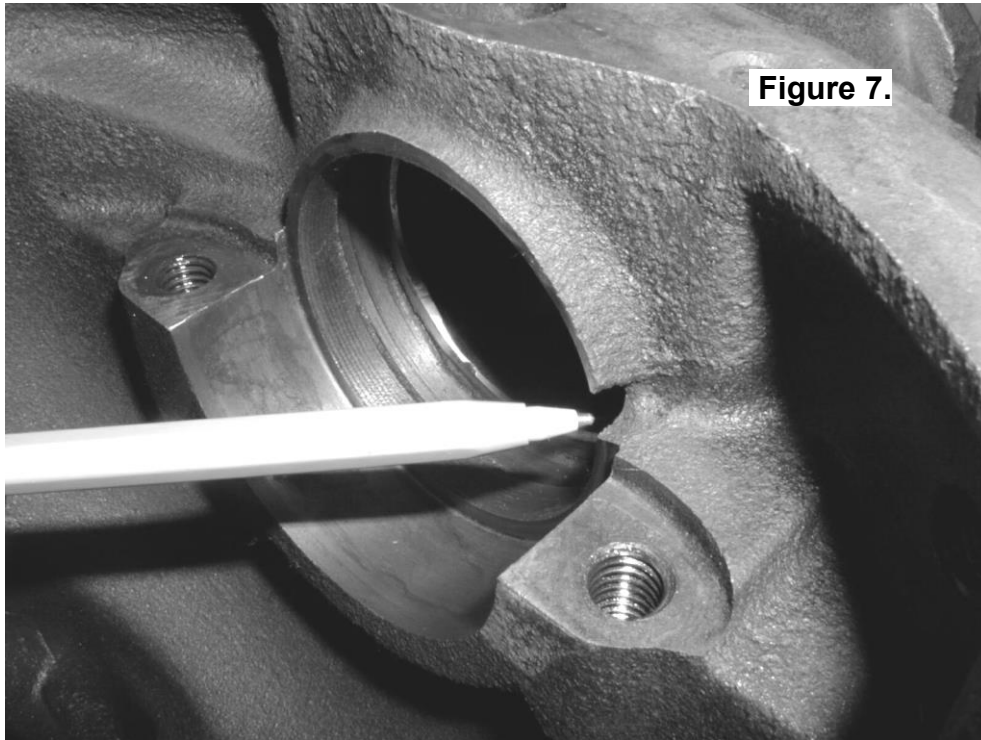
- Inspect the differential housing for the presence of adequate drainage in both axle tubes (refer to Fig.6.).



- If no drainage exists at all then slots or holes should be created in the bearing seat face of both axle tubes; one on the upper side of the tube, and one on the lower side.
- If drainage exists but is inadequate (Refer to Figure 7. where only one drainage position is present.) then slots or holes should be cut into the housing on the upper and lower side of the tubes where required.



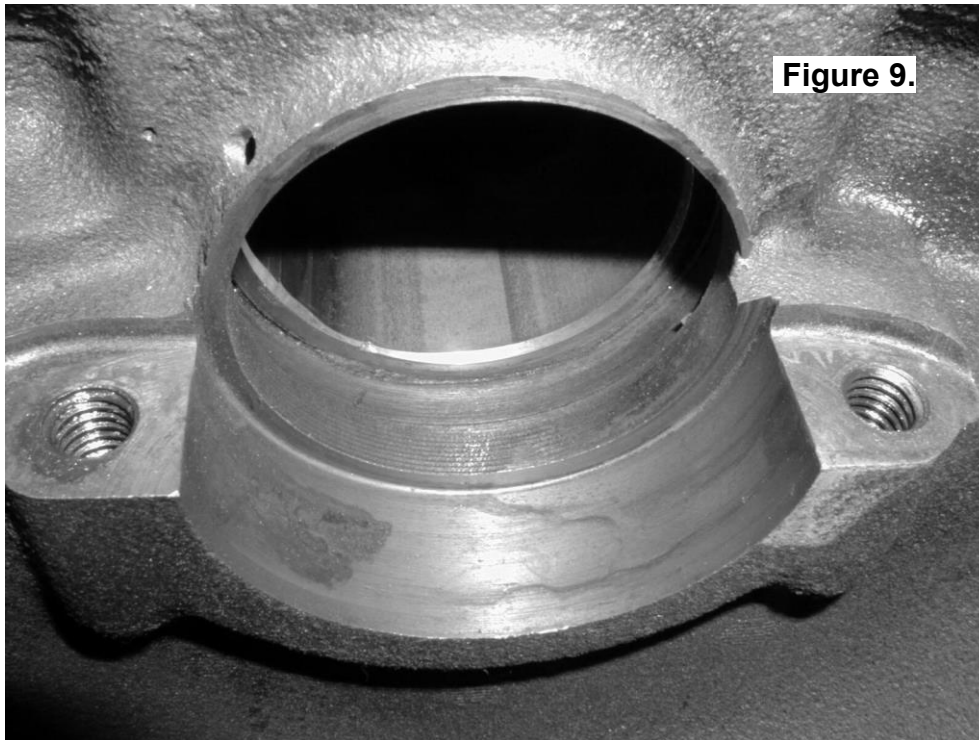
### 3 Installing the Air Locker



**NOTE :** Cover the differential housing cavity and the axle tube openings with a rag to protect them from metal filings.

**NOTE :** Figure 9. shows a lower drainage hole cut into a bearing seat.

### 3 Installing the Air Locker



- Remove any sharp edges left behind by the modifications that could break off and fall into the cavity.
- Make sure any grinding dust, filings or drill chips left behind by cutting the drainage slots are completely cleared out of the housing.
- Check that the axle air vents are clear and working correctly.

#### 3.2 Installing the Carrier Bearings

##### **IMPORTANT**

**A** GM's 10 bolt, 30 spline axle assemblies were manufactured using 1 of 2 different carrier bearing sizes. Measure the outside diameter of one of the bearing cups that came off of the original differential carrier.

Ø73.43mm [2.891"] = early model 'small bearing' version

Ø77.79mm [3.063"] = late model 'large bearing' version

**If you have a small bearing axle then the carrier bearings supplied with the *Air Locker* kit must be used (Timken #LM102949-LM102911).**

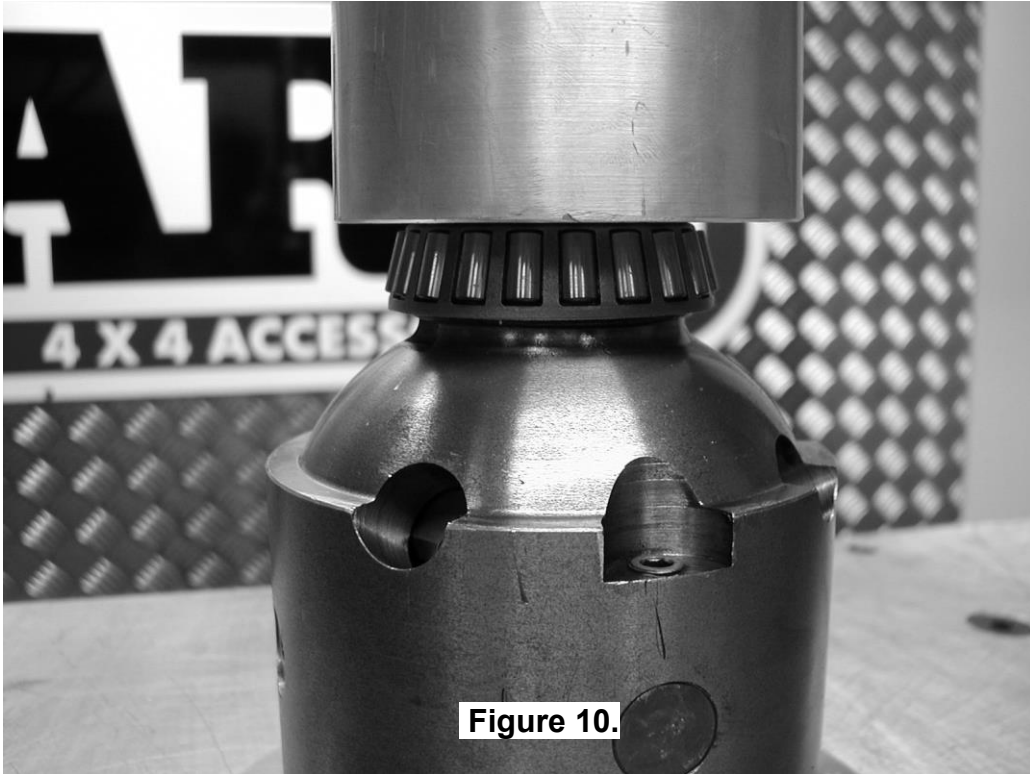
**If you have a large bearing axle then the original bearings will be reused (if they are of acceptable condition) or replaced with new bearings of the same type.**

**B** AAM 860's original bearings are to be reused (if they are of acceptable condition). Replace with the same type if required.



### 3 Installing the Air Locker

- Apply a thin film of high pressure grease to both bearing journals of the *Air Locker* to prevent seizing.
- Using a bearing press or arbor press, press one of the bearing cones (supplied with the *Air Locker* kit) onto one bearing journal of the *Air Locker* (refer to Figure 10.) until the bearing seats firmly against the bearing journal shoulder.



- Invert the *Air Locker* and press the other tapered roller bearing cone onto the opposite bearing journal of the differential carrier until the bearing seats firmly against the bearing journal shoulder.

**NOTE :** Do not add any shims between the bearings and the bearing seat. Shimming of the *Air Locker* will be performed with the supplied shim kits and/or the original master shims (if any) on the outside of the carrier bearings.

## 3 Installing the Air Locker

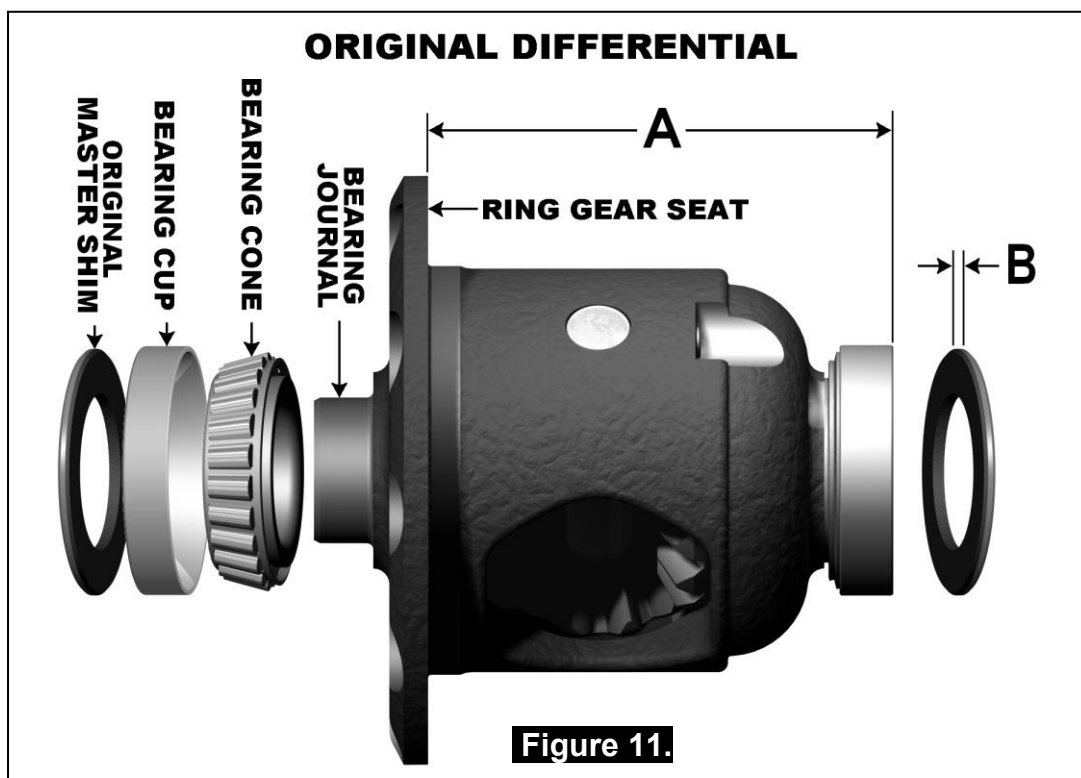
### 3.3 Approximate Backlash Shimming

In order to reproduce a similar pre-load and ring and pinion backlash in your *Air Locker* to that of your original differential, measurements need to be taken so that a shim thickness can be calculated.

- Secure the original differential to a work bench.
- Remove the bolts that hold the ring gear in place.

**NOTE :** GM 8.5" & AAM 860 ring gear bolts are usually left-hand threaded.

- Using a plastic or copper hammer, tap in a circle around the ring gear to separate it from the differential carrier.



- Assemble the bearing cup that originally came off from the RHS of the differential carrier onto the bearing cone on the RHS.
- Using a caliper or similarly accurate measurement method (i.e., able to take accurate measurements within 0.04mm [0.0015"]), measure the distance from the shoulder of the outer face of the bearing cup to the ring gear mounting face and record this measurement as 'A'. (Figure 11.)

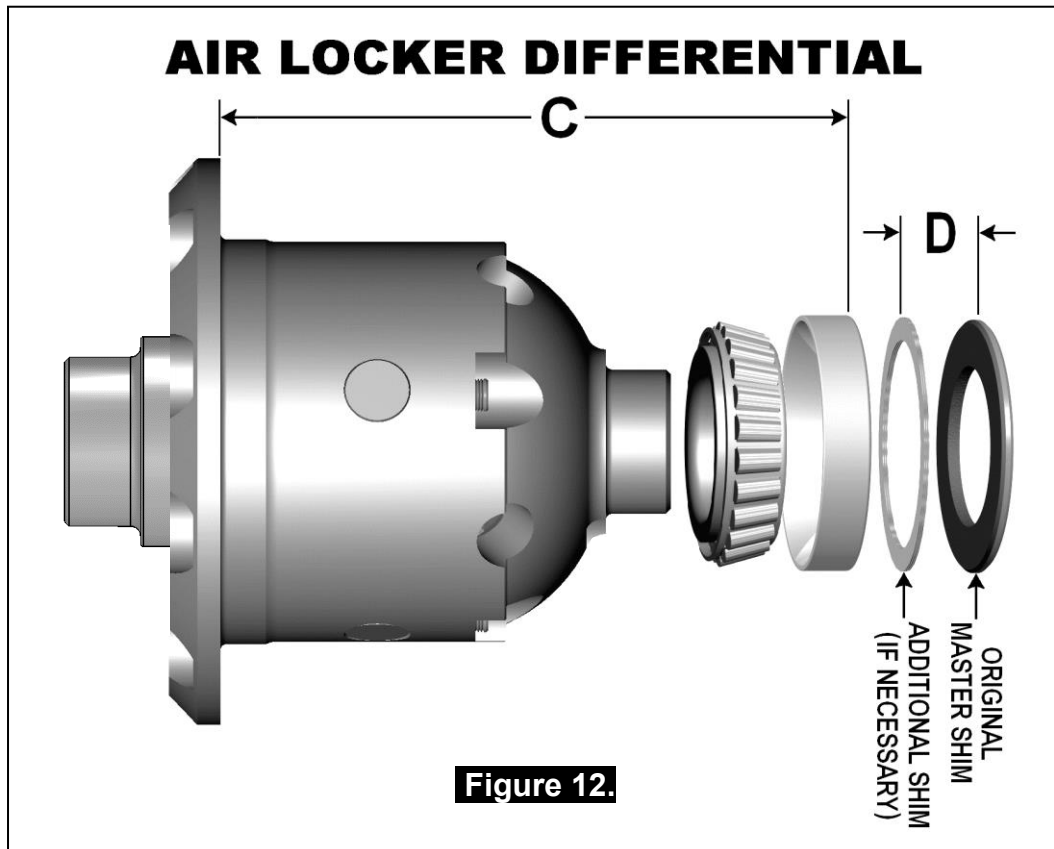
**NOTE :** Be sure to measure using the bearing cup that originally came off of the RHS.

- Measure the thickness of the original master shim that was removed from the RHS of the original differential carrier and record this measurement as 'B'. (Figure 11.)

### 3 Installing the Air Locker

- Assemble the correct bearing cup and cone (see Section 3.2) onto the RHS of the *Air Locker* and measure the total distance from the shoulder of the outer face of the bearing cup to the ring gear mounting face. (shown as 'C' in Fig.12.)

**NOTE :** The shim pack 'D' should not be installed at this time.



- The thickness of the shim pack 'D' must be calculated to position the ring gear seat of the *Air Locker* the same as the original differential (within 0.1mm [0.004"] ).
- Use the following calculation to find the desired thickness of 'D':

$$A + B - C = D \text{ (Replacement Shim Pack)}$$

**HINT :** If your calculations are correct then the following equation will also be true:

$$A + B - C - D = \text{ZERO}$$

### 3 Installing the Air Locker

- Create a shim pack to match 'D'.

To achieve this desired shim thickness you can:

- Use the shim from the other side of the differential if it is closer to the desired thickness (only 1 original shim is required to be reused).
- Machine down the original shim thickness.
- Add shims between the original shim and the bearing cup.
- Purchase new factory original shims at the desired thickness.
- Use a universal shim kit available from most drive train specialists.

**NOTE :** NEVER machine the *Air Locker*.

#### 3.4 Mounting the Ring Gear

- Apply a thin film of high pressure grease to the ring gear shoulder of the *Air Locker* to prevent seizing.
- Thoroughly clean any thread locking compound or other foreign matter from the holes of the ring gear, the threads of the ring gear bolts, and the mating surfaces between the ring gear and the *Air Locker* flange.

**HINT :** **Stoning the ring gear mounting face before installation will remove any high spots around the threads.**

- Heat the ring gear to between 80 and 100°C [175 - 212°F] in hot water or in an oven to slightly expand the gear and facilitate assembly.

**NOTE :** NEVER HEAT GEARS WITH A FLAME! This could damage the hardened surface of the gear and result in premature wear or failure.

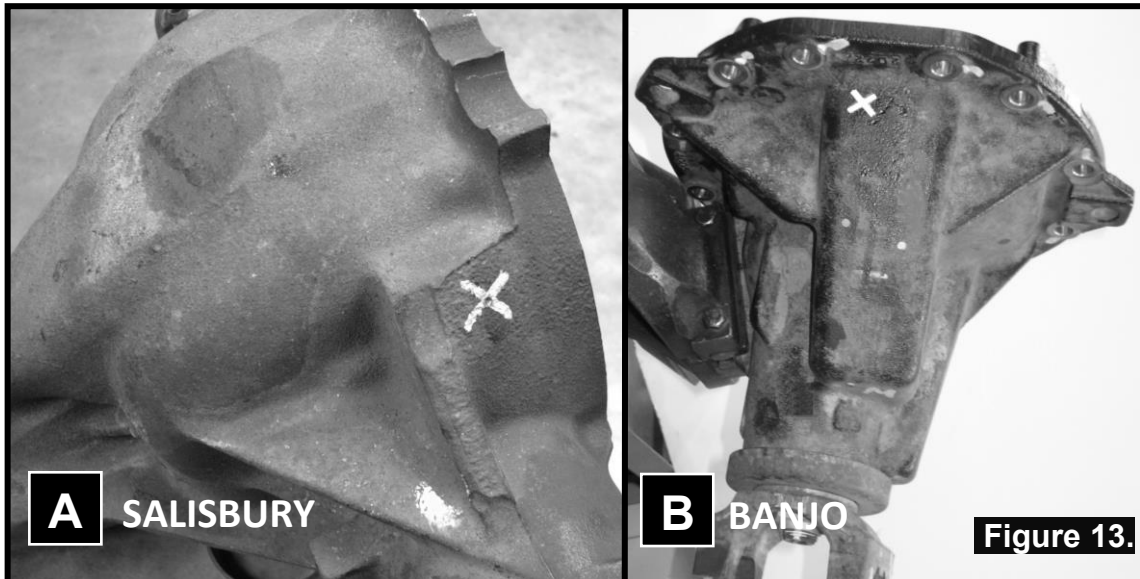
- Dry the gear and bolt holes with compressed air (if wet).
- Install the ring gear onto the *Air Locker* by aligning the bolt holes and then gently tapping it around in a circle with a soft mallet. Avoid using the bolts to pull down the ring gear as this puts excess strain on the bolts and the differential flange.
- Apply a thread locking compound to the thread of each ring gear bolt before inserting it. Do not apply threading compound directly into the threaded hole as this could prevent the bolt from reaching its full depth.
- Tighten the ring gear bolts in a star pattern with a torque wrench according to your vehicle manufacturer's specified torque.

### 3 Installing the Air Locker

#### 3.5 Drilling and Tapping the Bulkhead Port

An airline port must be drilled and tapped through the differential housing to mount the bulkhead fitting into.

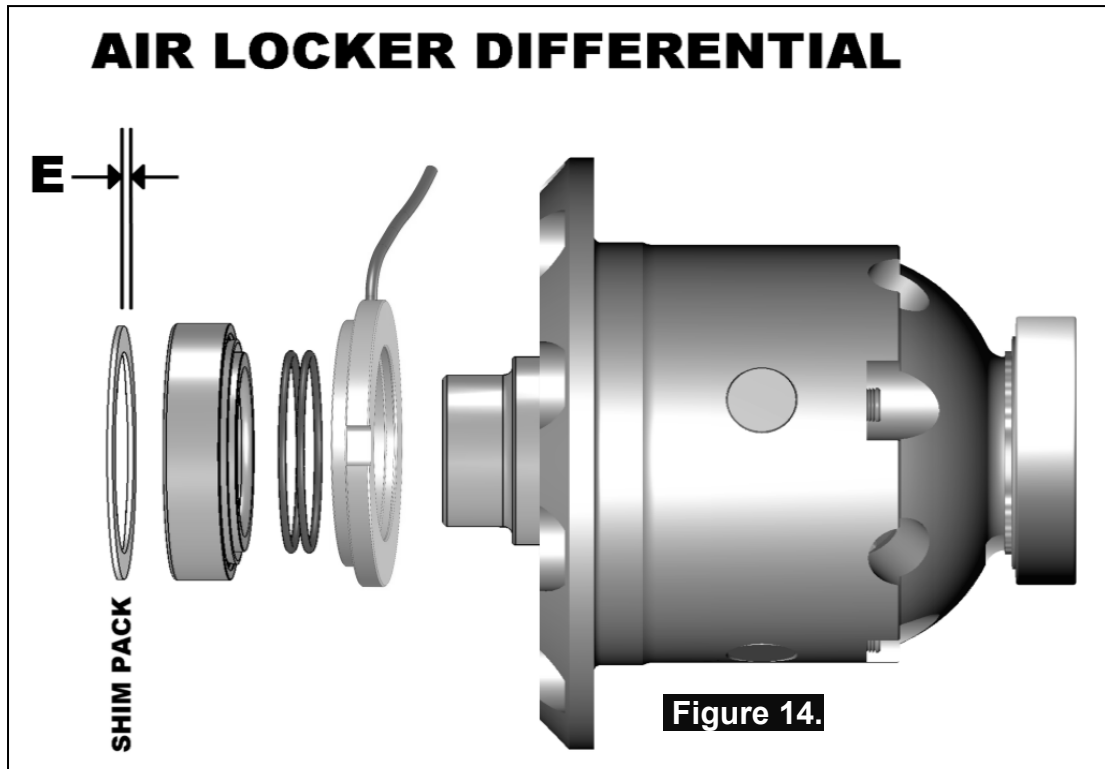
- Depending on the housing type, mark a spot on the differential housing, as shown in Figure 13.



- Cover the drive pinion and axle tube areas with a rag to protect them from metal filings.
- Drill through the housing square to the outside surface using an 11.2mm [7/16"] drill.
- Tap the hole from the outside using a 1/4" NPT pipe tap.
- Remove any sharp edges from the hole that may chip-off and fall into the housing.
- Carefully remove the rags and inspect with a service light inside the housing to insure no metal filings are left behind.

### 3 Installing the Air Locker

#### 3.6 Assembling the Seal Housing



- Make sure the grooves and airway of the seal housing are clean and free from any contaminants (e.g. water, dirt, metal filings, etc.).
- Inspect the seal housing O-rings (supplied) for dirt, damage or other conditions which might cause leaks.
- Generously lubricate the O-rings with oil prior to assembly, then insert them into the grooves of the seal housing.

**NOTE :** When assembling the O-rings, be careful not to leave them twisted when seated in the grooves as this could cause excessive wear and leakage.

- Carefully install the seal housing by sliding it all of the way onto the seal housing journal with a gentle twisting motion, as shown in Figure 14. This will allow the O-rings to engage gently.
- Using a bearing press or arbor press, press the remaining bearing cone onto the bearing journal of the *Air Locker* (refer to Figure 10.) until the bearing seats firmly against the bearing journal shoulder.
- Assemble the new bearing cup onto the bearing cone.

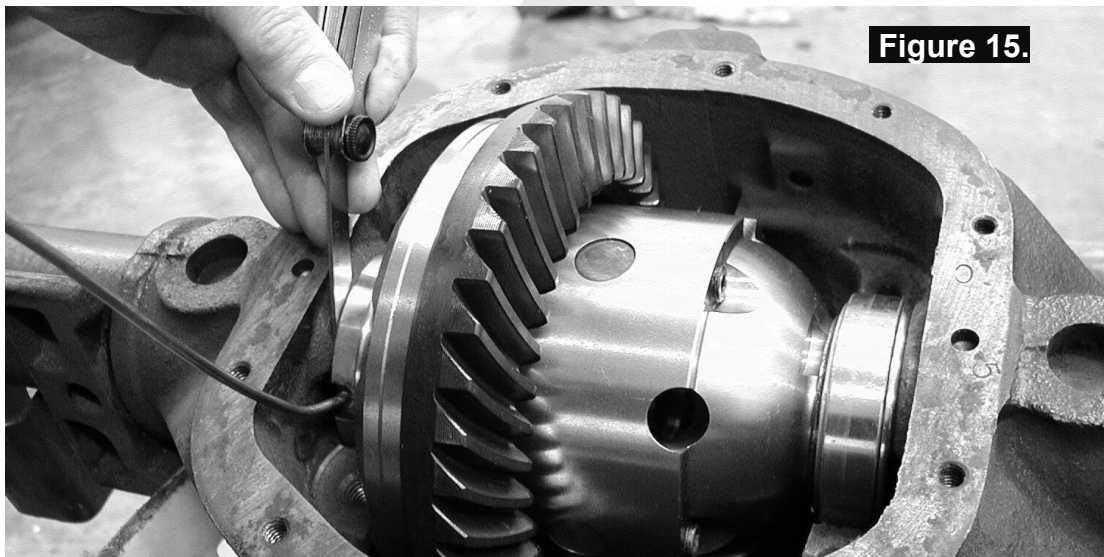


## 3 Installing the Air Locker

### 3.7 Pre-Load Shimming

In order to pre-load the tapered roller bearings in your *Air Locker*, measurements need to be taken so that a value can be calculated for the shim thickness 'E' in Figure 14.

- Insert and hold the *Air Locker* into the differential housing.
- Insert the shim pack determined earlier as 'D' between the right-hand bearing cup and the bearing seat of the axle housing with the rounded edge of the master shim facing away from the center.
- Push (or lightly pry) the *Air Locker* hard across to the RHS, and measure the maximum gap (also called the 'end float') between the outside of the seal housing and the inside face of the axle housing with an automotive feeler gauge. (Fig.15.)



- Consult your vehicle manufacturer's service manual to determine the carrier bearing pre-load amount specified for your vehicle.

**PRE-LOAD + END FLOAT = SHIM PACK**

- Add the specified pre-load amount to the measurement taken with the feeler gauge to determine a shim amount for 'E' in Figure 14.
- Create a shim pack 'E' from the shims supplied with the *Air Locker*.

**NOTE :** Do not add shims between the bearing cone and the bearing seat and **NEVER** machine the *Air Locker*.

- Remove the *Air Locker* from the differential housing.
- Install the shim pack 'E' between the bearing cup and the bearing seat of the axle housing as shown in Figure 14.



### 3 Installing the Air Locker

#### 3.8 Final Installation of the Air Locker

- Spread the differential housing again (Refer to Section 2.6).
- Re-install the *Air Locker* assembly into the differential housing without the shim pack from the RHS.
- While holding the *Air Locker* into the differential housing, lightly tap the right-hand shim pack into place on the RHS between the bearing cup and the bearing seat of the axle housing. (Refer to Figure 16.)



Figure 16.

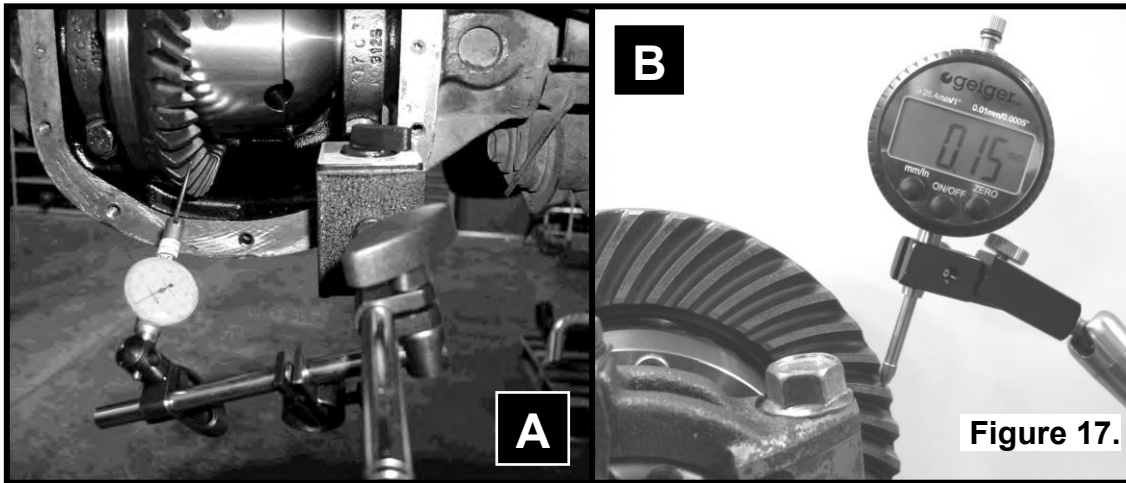
**NOTE :** If the shim pack is too tight to fully install then the spreader tension may need to be increased. **Do not spread the housing more than 0.50mm [0.020"]**.

- Release all spreader tension.
- Check that some backlash can be felt between the ring and pinion gears. No backlash would be an early indication of incorrect shim thickness.

## 3 Installing the Air Locker

### 3.9 Checking the Backlash

- Set a depth indicator on one of the ring gear teeth as in Figure 17.
- While supporting the pinion gear by holding the drive shaft, rotate the differential in both directions while observing the maximum variation in depth from the indicator (i.e., the highest value minus the lowest value). This value is referred to as the ring and pinion backlash.
- Rotate the differential center 90° and measure again for accuracy.



- Refer to your vehicle service manual for the specified maximum and minimum amounts of backlash. If the backlash is not within the specifications then the differential will have to be removed and re-shimmed.

#### 3.10.1 Re-Shimming the Backlash

**NOTE :** This step is only necessary when adjusting for incorrect backlash.

- Remove the bearing caps.
- Remove the differential as before.
- To decrease the amount of backlash, reduce the shim thickness 'D' (Fig.12.) and increase the shim thickness 'E' (Fig.14.) by the same amount. Reverse this step to increase the backlash.
- Remount the differential as before.
- Release spreader tension (if applicable).
- Check backlash again as before.

## 3 Installing the Air Locker

### 3.10 Profiling the Seal Housing Tube

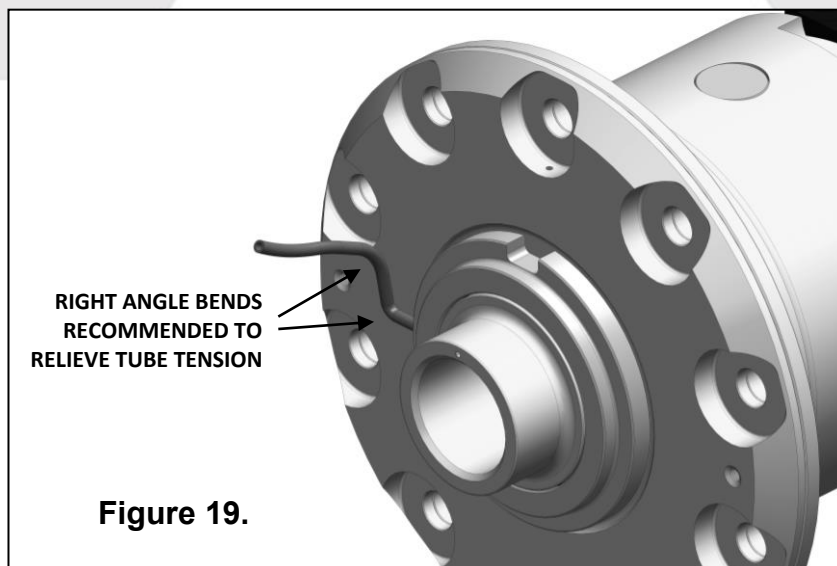
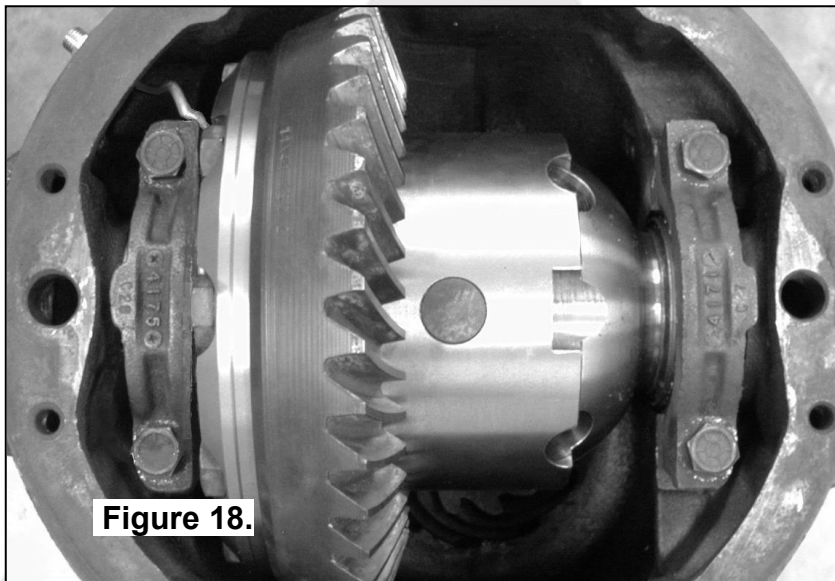
- Install the bearing caps oriented as they were marked before they were removed and hand tighten the bearing cap bolts.

#### 3.10.1 A Salisbury Type Axle

- Without using sharp, jagged tools such as pliers (usually your hands are the best tool for this), gently bend the seal housing tube so that it lead towards the bulkhead port as shown in figure 18.

**NOTE :** Create sharp bends on the tube profile (not more than 90°) will help relieve any tension caused by vibration or shock (Fig. 19.)

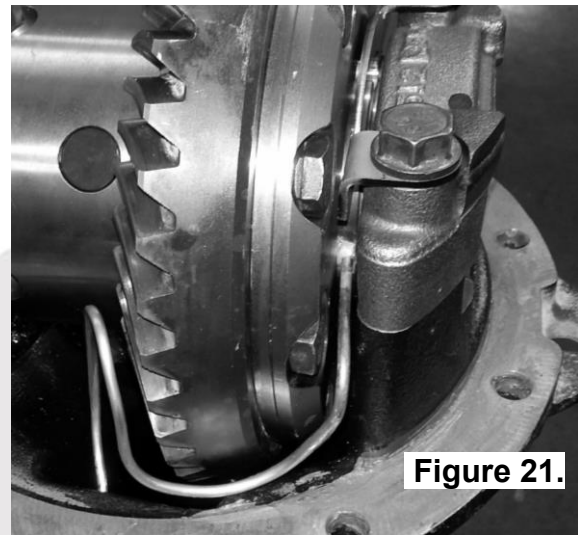
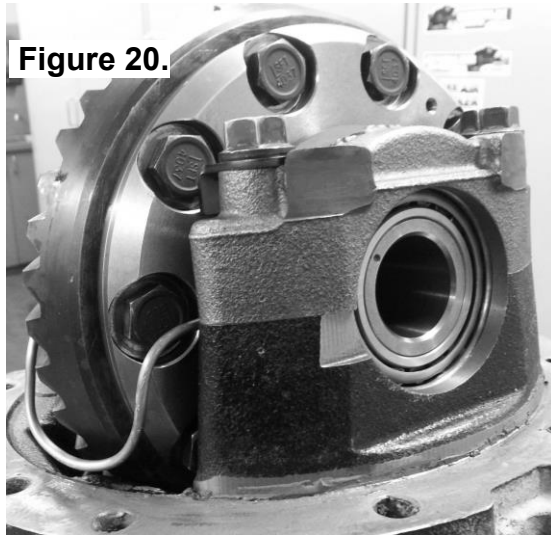
- Cut the copper tube to the desired length and guide it through the bulkhead port.



## 3 Installing the Air Locker

### 3.10.1 B Banjo Type Axle

- Without using sharp, jagged tools such as pliers (usually your hands are the best tool for this job), bend the seal housing tube so that it closely follows the profile of the *Air Locker* and ring gear and protrudes through the bulkhead port in the differential housing (Figures 20., 21. & 22.)



**NOTE :**

It is a good idea to keep the tube away from the bearing caps or any other part of the differential casting as any contact due to vibration or shock may wear the tube and eventually cause a leak.

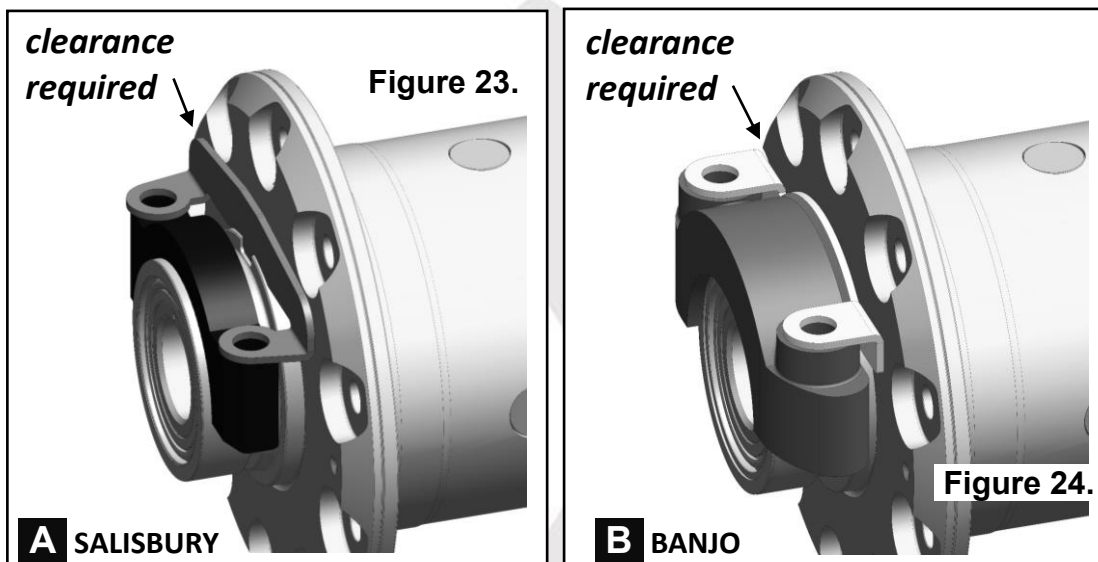
## 3 Installing the Air Locker

### 3.11 Reinstalling the Bearing Caps

- Turn the square cutout on the seal housing facing upwards and fit the correct seal housing bracket over it.

**NOTE :** Two different sized seal housing retaining brackets are supplied with this kit. Refer Fig.23. and 24. to help identify the one that suits your application.

- Hand tighten the bearing cap bolts and ensure some clearance exists between the seal housing bracket and the flange cap. If not, the bolt holes on the bracket may need to be modified to allow further adjustment away from the flange cap. (Fig.23. & 24.)



- Tighten all bearing cap bolts with a torque wrench to the torque specified in your vehicle manufacturer's service manual.
- Completely remove the differential spreader.

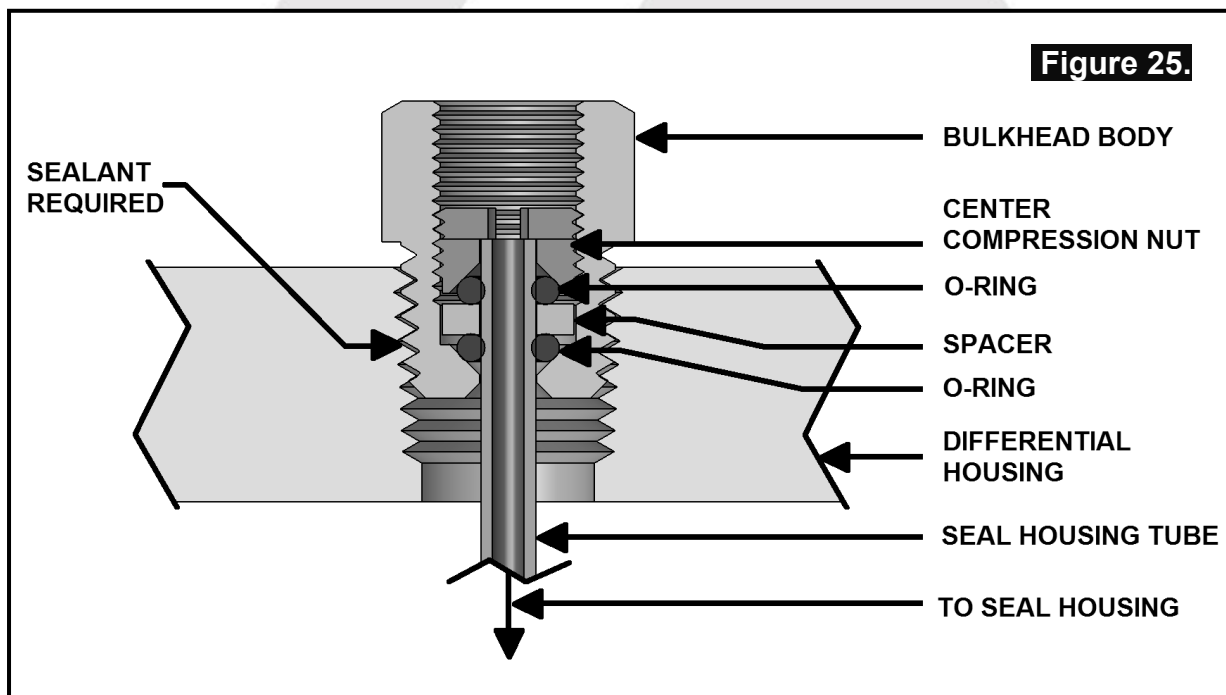


### 3 Installing the Air Locker

#### 3.12 Setting Up the Bulkhead Fitting

**NOTE :** Use an automotive brake line tubing cutter to cut the seal housing tube. Never use a hacksaw for trimming the steel tube as this will leave metal fillings in the air system.

- Apply thread sealant to the outside threads of the bulkhead body.
- Screw the bulkhead body into the tapped hole, and lightly tighten using a 14mm [9/16"] spanner.
- Wipe the area clean of any excess thread sealant (inside and outside of the housing).
- Insert the free end of the seal housing tube into the bulkhead fitting until it protrudes approximately 8mm [5/16"] through the other side.
- From the outside of the housing, assemble one of the small O-rings over the top of the short length of seal housing tube protruding through the bulkhead fitting.
- Install the brass spacer.
- Install the second small O-ring after the spacer.
- While holding the seal housing tube into the bulkhead fitting, insert the chamfered end of the center compression nut over the extended tube as shown in the assembly diagram (Fig. 25.), and screw it into the bulkhead body, and tighten using Pozidriv #3 screwdriver.



### 3 Installing the Air Locker

**NOTE :** Make sure the seal housing tube is all of the way into the center compression nut while you are tightening it.

**NOTE :** Firmly tighten the center compression nut so that a good seal is formed around the tube.

- Again check that no part of the seal housing tube comes in contact with the moving differential components. Less than 8mm [5/16"] should be considered too little clearance. Gently bend the tube away from moving parts if necessary.

#### 3.13 Bench Testing the Air Locker

- To test the *Air Locker*, when 620kPa [90 PSI] shop air is applied to the seal housing tube, the *Air Locker* should engage.
- Check all fittings and the seal housing for air leaks.
- Rotate the differential carrier by turning the pinion flange whilst applying air pressure.

**NOTE :** An accurate way to test for air leaks is to fit a shut-off valve to an air pressure gauge (ARB part # 0770005). Once 620 KPA [90 PSI] is reached close the valve, disconnect the air hose, and watch to see if there is any drop in pressure. If so, this will indicate an air leak. (Fig. 26.)



- If a leak is found to be present, spray a soap and water mixture onto the bulkhead air fitting. Bubbles should appear at any leak points.

**NOTE :** Do not spray this soapy mixture inside the differential.

- Check that leaky fittings have been adequately tightened.
- Disassemble, clean threads, and reapply thread sealant if leaking persists.



### 3 Installing the Air Locker

- If a leak is found at the seal housing, carefully remove the seal housing assembly and examine the O-rings. Be very careful with the O-rings and check for defects, damage, wear, or presence of foreign material in the O-ring grooves. Replace if necessary.

#### 3.14 Reinstalling the Axles

##### 3.14.1 A Salisbury Type Axle

- Unscrew and remove the long cross shaft retaining pin with a 5mm hex key.

**NOTE :** The long cross shaft retaining pin is the pin located exactly one quarter turn of the differential from the 'C' clip access window. Rotate the differential using the drive flange (Figure 27.).



Figure 27.

- Completely remove the long cross shaft (Figure 28.)



Figure 28.

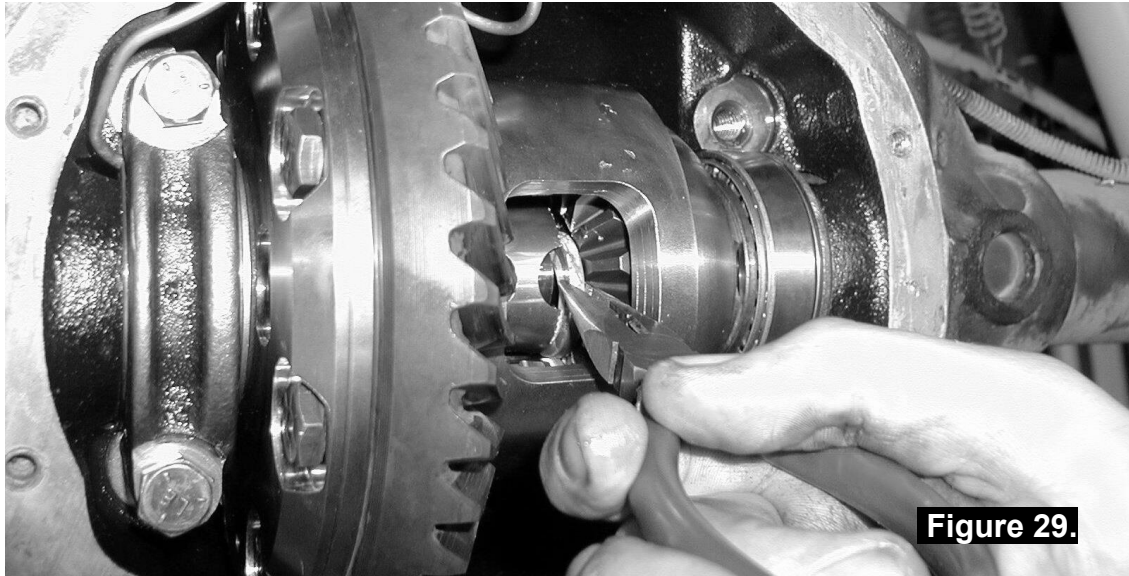
- Rotate the differential until the 'C' clip access window is in full view.
- Insert both axles fully into the housing and gently tap them inward as far as they will go.

### 3 Installing the Air Locker

**NOTE :** To prevent damage to the oil seals, support the weight of the axle shaft when inserting them.

- Using needle nosed pliers, insert one of the 'C' clips onto the groove in the axle shaft by sliding it between the spider block and a side gear. (Refer to Figure 29.)

**NOTE :** You may have to slide the axle shaft outward very slightly to adequately line up the groove.



- Pull outward on the axle shaft to seat the 'C' clip into the side gear.
- Repeat the 'C' clip installation steps on the second axle shaft.
- Re-insert the long cross shaft.
- Using an automotive feeler gauge, check the maximum distance between the axle shaft and the cross shaft. This measurement is what is known as the end float.
- Refer to your vehicle manufacturer's service manual for the appropriate end float amount. 'C' clips may need to be substituted with others of a different thickness to achieve correct end float if too tight or too loose.
- Insert and tighten the pin with a 5mm hex key.
- Reconnect the drive shaft to the differential drive flange.
- Reassemble the remainder of the differential assembly (e.g., hubs, brakes, wheels, etc.) to the vehicle according to your vehicle's service manual.

## 3 Installing the Air Locker

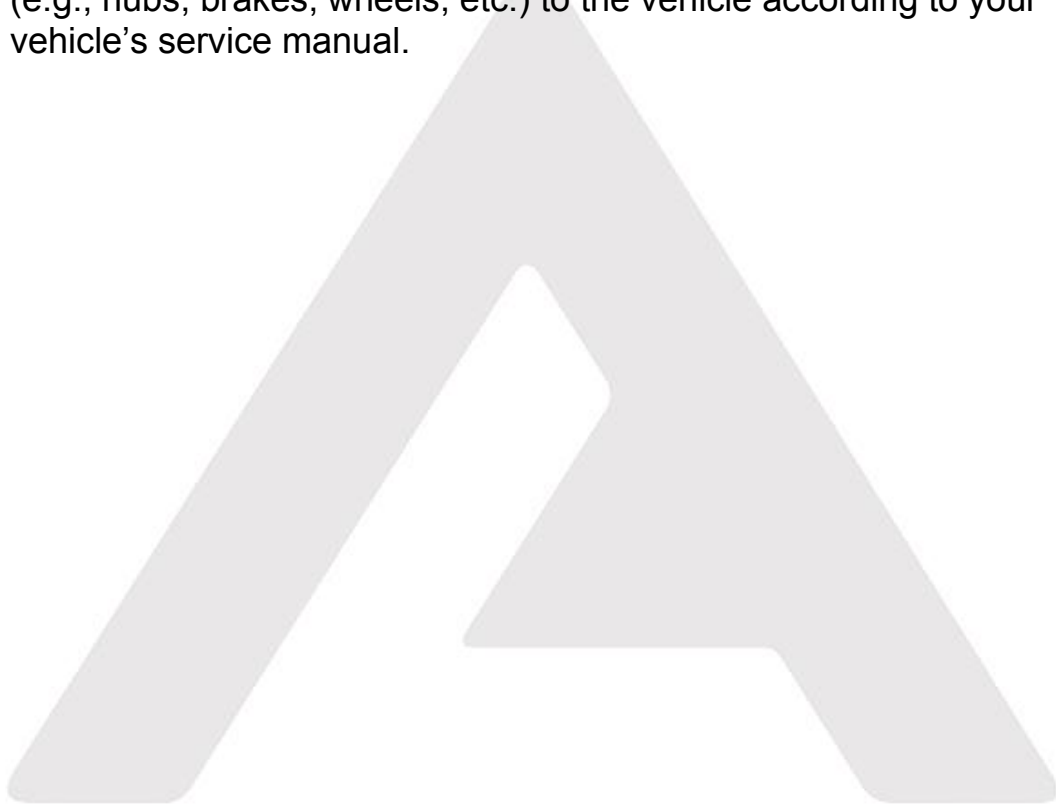
### 3.14.2 **B** Banjo Type Axle

---

- Reinstall the differential housing into the axle case using gasket sealant where necessary.
- Reinstall the rear axle assembly according to your vehicle manufacturer's service manual.

**NOTE :** Be careful not to damage the axle oil seals with the splines of the axle.

- Reconnect the drive shaft onto the flange of the differential.
- Reassemble the remainder of the differential assembly (e.g., hubs, brakes, wheels, etc.) to the vehicle according to your vehicle's service manual.



## 4 Installing the Air System

### 4.1 Mounting the Solenoid

#### 4.1.1 Connection to an ARB Air Compressor (Fig.30.)

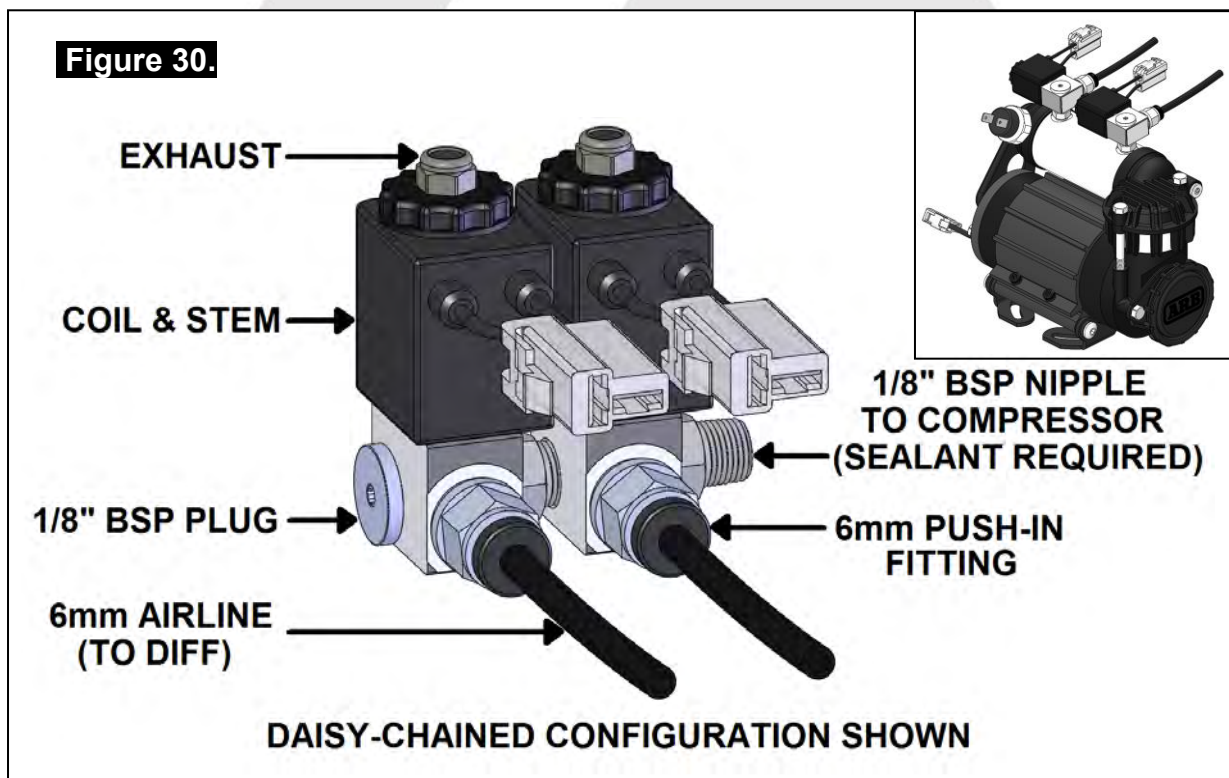
- Remove one of the 1/8" BSP plugs from its port in the compressor tank.
- Apply Teflon paste to the 1/8" BSP nipple on the solenoid and insert it into the port and tighten. The solenoid should be rotated into a position which does not obstruct any other ports on the compressor tank.

**NOTE :** The coil and stem of the solenoid can be removed to make installation easier.

**NOTE :** The solenoid is marked with two #1 ports. If space is tight, a second solenoid can be "daisy-chained" off the first one by removing the plug from the redundant #1 port and screwing the nipple from the second solenoid into it (Fig. 30.).

**NOTE :** The solenoid exhausts compressed air through the center of the black retaining cap when the *Air Locker* is disengaged. Make sure this orifice cannot be obstructed.

- Assemble the 6mm push-in fitting into the solenoid outlet port (stamped "2") and hand tighten.





## 4 Installing the Air System

### 4.1.2 Connection to an Alternate Air Source

---

For ease of installation, quality of air supply, and a high level of dependability from your *Air Locker(s)*, ARB strongly recommends use of a genuine ARB Air Compressor, however, the *Air Locker* air system can be operated on any alternate air source that meets each of the following guidelines:

- Must supply a minimum of 85PSI [586kPa].
- The Air source should have a tank capacity that enables it to actuate the *Air Locker(s)* in one charge so that no hesitation is experienced when locking one or two differentials.

**HINT :** A good way to insure that you have the necessary capacity is to make sure you can engage, disengage, and then reengage your *Air Locker(s)* without the air source having to regenerate (e.g., without the compressor turning on to refill the tank).

- Must supply clean air, free of rust, dirt, water, or other foreign matter.
- Must match the 1/8" BSP porting of the *Air Locker* solenoid.
- Mount solenoid within close proximity of the air supply and secure it from the effects of vibration and shock.
- Connect the air supply to the 1/8" BSP inlet port of the solenoid (stamped "1" on the solenoid body) using thread sealant.

#### **IMPORTANT :**

**ARB cannot warrant your *Air Locker(s)* against damage caused as a result of using an alternate air supply. If you have any doubts as to the suitability of your air system to use in an *Air Locker* system, consult your ARB distributor.**

## 4 Installing the Air System

### 4.2 Running and Securing the Air Line

The path taken by the air line from your air source (i.e., compressor) to your *Air Locker* is unique to your vehicle and the position of your air source. Plan ahead carefully when running the air line and always follow these guidelines:

- Account for axle travel when running the line from the axle to a fixed point on the vehicle. Leave enough slack in the air line to allow for maximum suspension travel in both directions.
- Avoid leaving large lengths of air line hanging underneath the vehicle where they may get tangled on rocks, sticks, etc.

**HINT :** **Cable tying the air line to one of your flexible brake lines will account for axle travel and should help keep your line from getting snagged.**

- Run the air line all the way from the compressor to the differential before trimming either end of the line to length. This will save complications that may arise if the air line has to be removed.
- Make sure the line does not contact sharp edges or abrasive surfaces that may damage the air line over time.
- Do not run the air line around tight bends which may kink the air line and restrict or block the air flow.
- Keep the air line well away from your vehicle's exhaust components. Air lines will melt if subjected to extreme heat.
- Do not run more air line than necessary. Excess line volume created when coiling the left over hose, using unusually large diameter hose, etc., will increase drain on the compressor tank resulting in the compressor running more often than needed.
- Support the air line by tying it back with cable ties where possible.
- At the solenoid end of the air line, always trim the line to length with a sharp knife to avoid distorting the tube where it plugs into the push-in fitting.

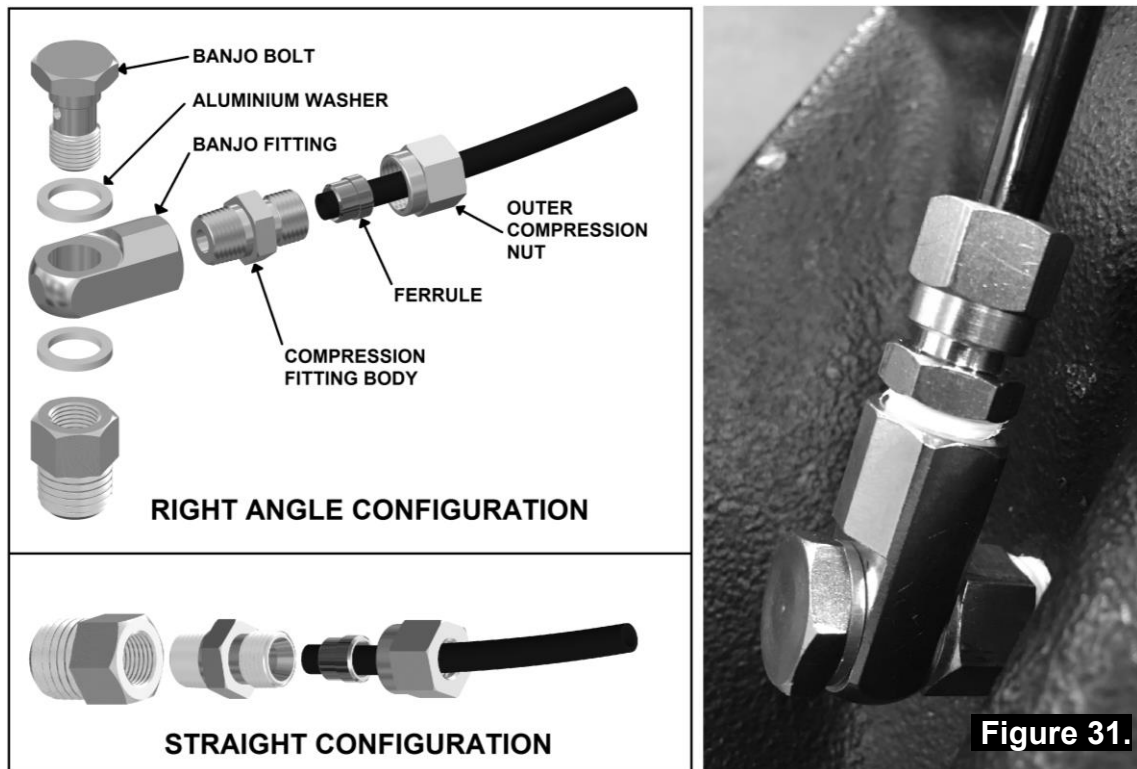
**NOTE :** **To remove the air line from the push-in fitting; push the air line into the fitting as far as possible, then press the flange inward, then pull the air line free of the fitting.**

- To attach the air line to the push-in fitting of the solenoid; insert the line firmly into the fitting, pull outward on the flange of the fitting while holding the line as far into the fitting as possible, and then gently pull outward on the air line to clamp the line in place.

## 4 Installing the Air System

### 4.3 Connection to the Bulkhead Fitting

- Trim the air line to length using a sharp knife.
- Assemble an aluminium washer onto the banjo bolt and insert through the banjo fitting. Assemble second aluminium washer and tighten into bulkhead fitting using a 14mm [9/16"] spanner. (Fig.31.)
- Apply thread sealant to the tapered thread of the compression fitting body and screw into the banjo fitting. Tighten using a 12mm spanner.
- Insert the outer compression nut and ferrule over the air line. Ferrule should be orientated as per Fig.31.



- Push the airline into the compression fitting body and screw the outer nut down onto it. Using a 12mm spanner, tighten the outer nut onto the compression fitting body.

**NOTE :** Some force is required to crush the ferrule, however the outer compression nut will tighten against a stop. Over tightening will not create a better seal.

- Secure any loose sections of tube with a cable tie.

**NOTE :** When right angle routing of the tube is not required, screw the compression fitting body straight into the bulkhead fitting body (Fig.31.).



## 5 Mounting & Connecting the Electrical System

### 5.1 Mounting the Actuator Switch(es)

*Air Locker* actuator switch(es) can be easily panel mounted inside the vehicle in a 21mm x 36.5mm [0.83" x 1.44"] rectangular cutout.

**NOTE :** Only attach the cover plate to the face of the switch once the switch has been mounted and wired correctly as the cover plates are designed to be difficult to remove.

For reasons of safety and for ease of operation, the *Air Locker* actuator switch(es) should be mounted in a location picked to best suit the operator. Make sure you have taken the following points into consideration:

- Switch(es) MUST be mounted and should never be allowed to simply dangle from the wiring loom during vehicle use.
- Switch(es) should be within easy reach of the driver. Ideally, any *Air Locker* switch should be able to be operated without physical effort or distraction to the driver.
- Switch(es) should be mounted within the line of sight of the driver so that switch position ('ON' or 'OFF') can be visually determined by the rocker position and the illumination state.
- The position of the switch(es) should best eliminate any possibility of accidental operation by the driver or one of the passengers.
- Switch cutout position(s) must be located in an area with a minimum of 50mm [2"] of clearance behind the face of the cutout.
- Switch(es) should not be mounted where they will be exposed to water (e.g., in the lower section of an inner door panel).
- ARB recommends that you apply the *Air Locker* Warning Sticker (ARB part # 210101) within close visual proximity of the switch location.

**NOTE :** If no adequate position can be found on existing dashboard panels, a surface mounted bracket (Fig. 32.) may be purchased from your *ARB Air Locker* distributor to suit 1, 2, or 3 switches.

## 5 Mounting & Connecting the Electrical System



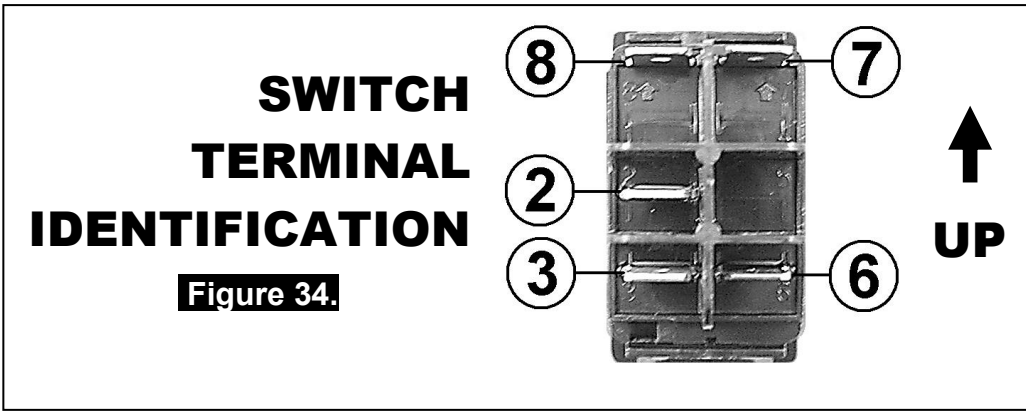
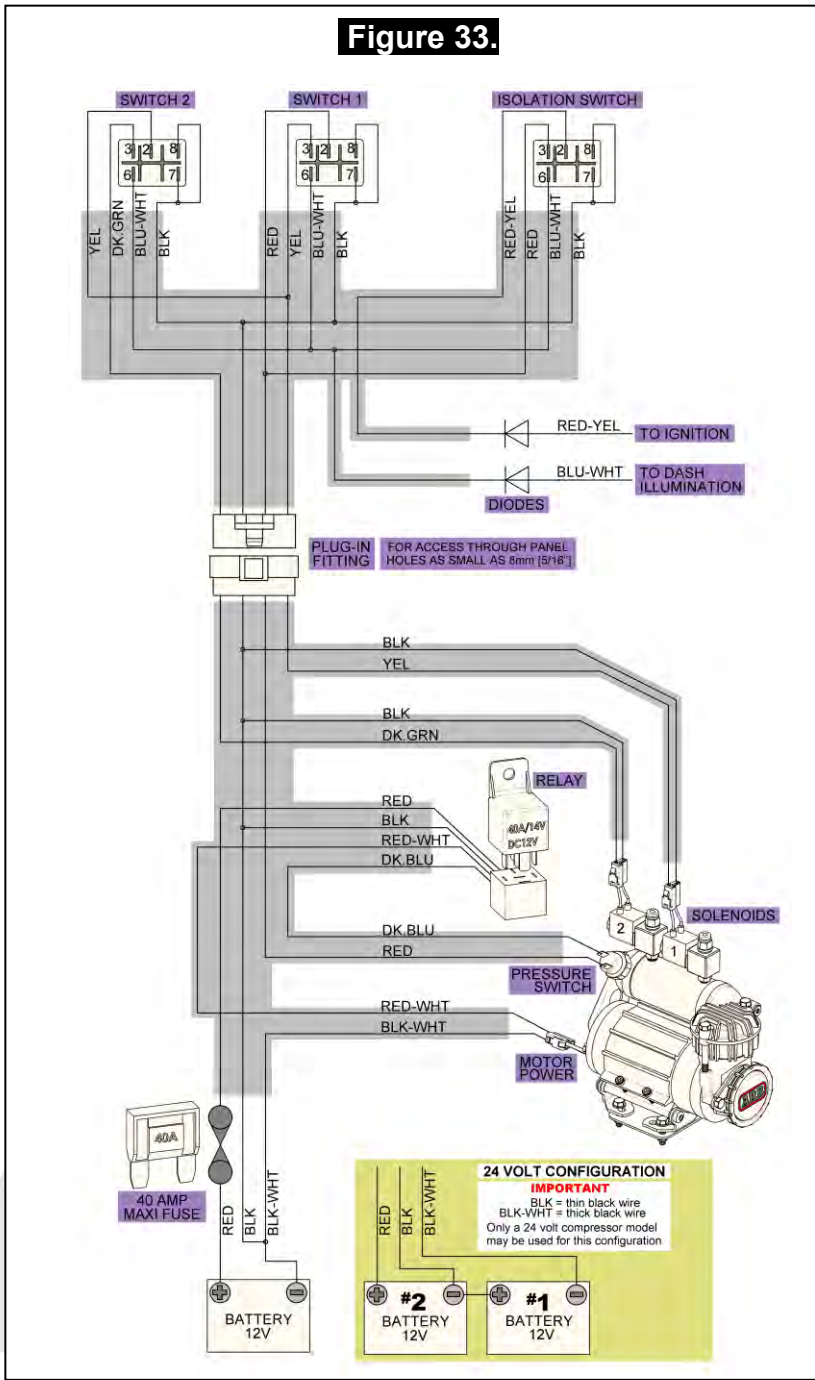
### 5.2 Wiring the Actuator System

#### 5.2.1 Connection to an ARB Air Compressor

When wiring the *Air Locker* actuator switch(es) and solenoid(s) to an ARB Air Compressor, all connections can easily be set up directly from the supplied wiring loom. (Fig. 33.)

**NOTE :** 180409 model loom shown for reference only. Refer to your ARB Air Compressor Installation Guide for details on configuring your installation.

# 5 Mounting & Connecting the Electrical System



## 5 Mounting & Connecting the Electrical System

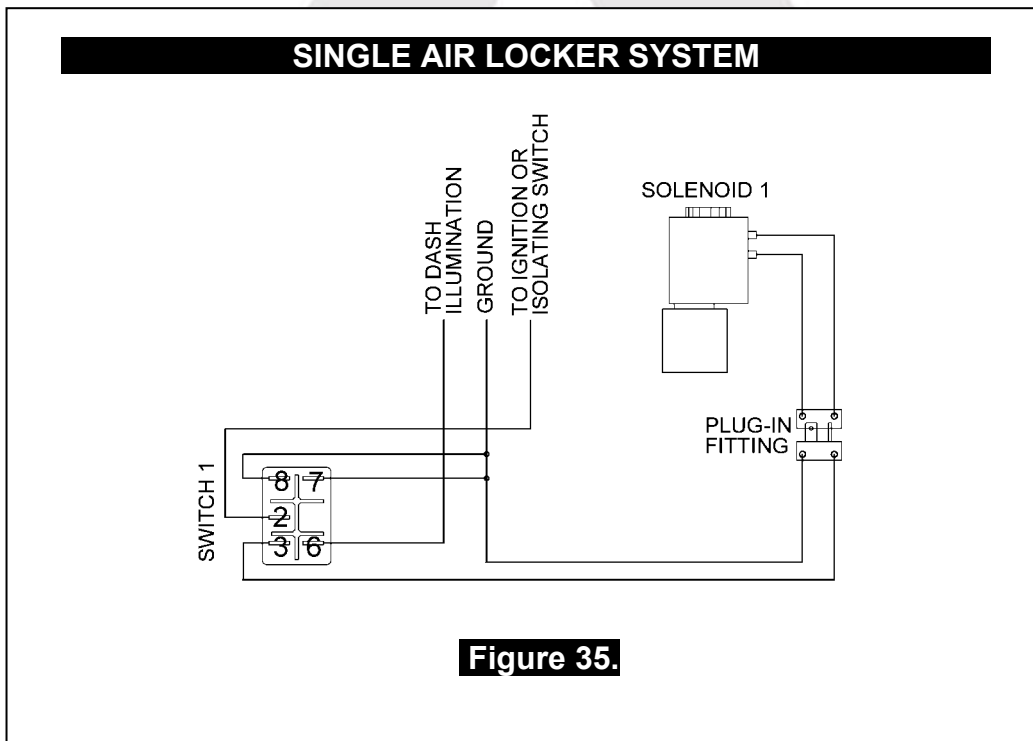
### 5.2.2 Connection to an Alternate Air Source

When connecting the actuation switch to an alternate air source, the switch(es) should be wired according to figures 35. and 36., depending on whether one or two *Air Lockers* will be installed in the vehicle.

#### 5.2.2.1 Single Air Locker System

- If only one *Air Locker* is to be installed in the system, the switch and solenoid should be wired according to figure 35. regardless of whether the *Air Locker* has been installed in the front or rear axle of the vehicle.
- Attach the appropriate switch cover (i.e., 'FRONT' or 'REAR') to the switch.

**NOTE :** Refer to Figure 34. for the correct switch terminal identification and switch orientation.



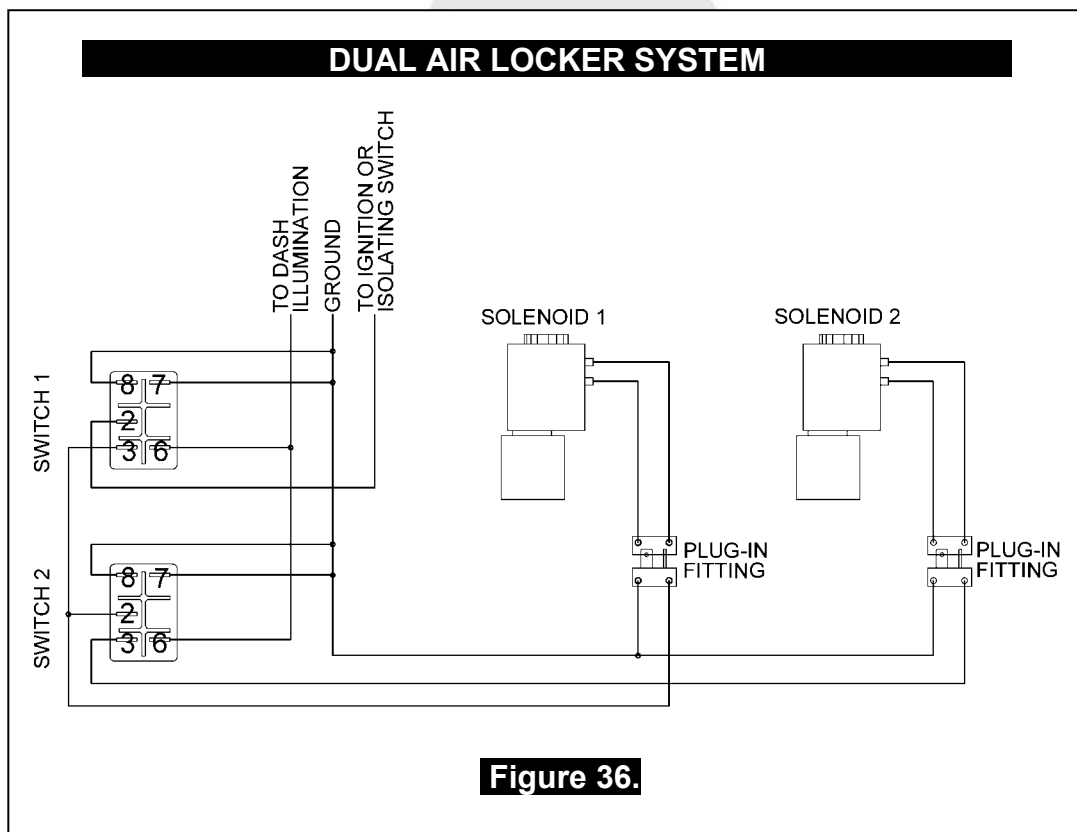
## 5 Mounting & Connecting the Electrical System

### 5.2.2.2 Dual Air Locker System

- If two *Air Lockers* are to be installed in the system, ARB recommends that the switches and solenoids be wired according to figure 36. For safety reasons, this configuration allows SOLENOID 2 to be actuated only if SOLENOID 1 is already on.
- Attach the “REAR AIR LOCKER” switch cover to SWITCH 1, and the “FRONT AIR LOCKER” switch cover to SWITCH 2.

**NOTE :** Refer to Figure 34. for the correct switch terminal identification and switch orientation.

- Configure SOLENOID 1 as the air line leading to the rear axle *Air Locker*, and SOLENOID 2 as the air line leading to the front axle *Air Locker*.





## 6 Testing & Final Assembly

### 6.1 Leak Testing

- With the vehicle parked and the engine off, turn the compressor on and wait until the air system is fully charged.

**NOTE :** With the *Air Locker(s)* disengaged, the air source (i.e., compressor) should not have to recharge over time. Intermittent recharging without *Air Locker* use usually indicates a leak at the solenoid fittings or at the compressor tank O-ring seal.

- Actuate the *Air Locker(s)*.
- The compressor should not come on again for a period of at least 15min. Air system recharging within that time period would indicate that a leak is present in the system.

**NOTE :** If an alternate air source (e.g., an air cylinder or a belt driven air pump) is used instead of a compressor, the air system will have to be leak tested with a pressure gauge and a shut-off valve in series before the solenoid input.

- If a leak is found to be present, spray a soap and water mixture onto all air fittings in the system while the compressor is fully charged. Bubbles should appear at any leak points.
- Check that leaky fittings have been adequately tightened.
- Disassemble, clean threads, and reapply thread sealant if leaking persists.

## 6 Testing & Final Assembly

### 6.2 Testing the Air Locker Actuation

To test that your air system, electrical system, and your *Air Locker* differential is functioning correctly:

- Support the vehicle such that the wheels are free to rotate (e.g., on axle stands, a chassis hoist, etc.)
- Leave the parking brake off, the transmission in neutral, and the *Air Locker* switch 'OFF'.
- Turn the ignition to the 'ON' position (leaving the motor off). The large illuminating symbol on the *Air Locker* switch cover should be 'OFF'.
- Turn the compressor (or alternate air source) on to charge the air supply up to its maximum pressure.
- While supporting the drive shaft flange, rotate one wheel by hand.
- The wheel should rotate freely and the opposite wheel should be turning in the opposite direction without any resistance or mechanical noise from within the differential.
- Turn the *Air Locker* switch to the 'ON' position. The illuminated symbol on the switch cover should light up.
- Rotate the same wheel again.
- Both wheels should rotate together.
- Turn the switch off again.
- Rotate the same wheel.
- The wheels should again rotate in opposite directions.

### 6.3 Re-Sealing & Filling the Differential

**NOTE :** Consult the *ARB Air Locker Operating & Service Manual* for recommendations on differential lubricant specifications.

- Replace the differential cover using gasket sealant or a new standard differential cover gasket for your make of vehicle.
- Refill the differential until level with the filler hole.
- Rotate the differential center 2 full turns.
- Check the oil level and add oil if necessary.
- Replace filler plug (apply thread sealant to filler plug before inserting if it is a threaded type plug).
- Wipe differential housing clean of any oil or grease which may collect dirt or other abrasive particles.

## 6 Testing & Final Assembly

### 6.4 Post-Installation Check List

Now that the *Air Locker* installation has been completed, ARB recommends that you take the time to complete the following check list just to insure that you haven't missed any of the vital steps.

- The air system has been leak tested.
- Thread locking compound was used on the ring gear bolts.
- All torque settings comply with the vehicle manufacturer's specs and were set with an accurate torque wrench.
- Differential fluid complies with ARB recommendations and has been filled to the correct level.
- All air lines and wiring have been securely cable tied to resist snagging.
- Switch(es) have been securely mounted within operator reach, yet well away from danger of accidental engagement.
- Switch(es) function properly and illuminate to indicate that *Air Locker(s)* are engaged.
- All operators who are to use the *Air Locker* have read, and fully understand the *ARB Air Locker Operating & Service Manual*.
- The *Air Locker* Warning Sticker has been located within close proximity of the actuator switch(es).

**INSTALLATION PERFORMED BY:** \_\_\_\_\_

**DATE OF INSTALLATION:** \_\_\_\_\_

**ODOMETER READING:** \_\_\_\_\_

**ARB AIR LOCKER SERIAL No.:** \_\_\_\_\_

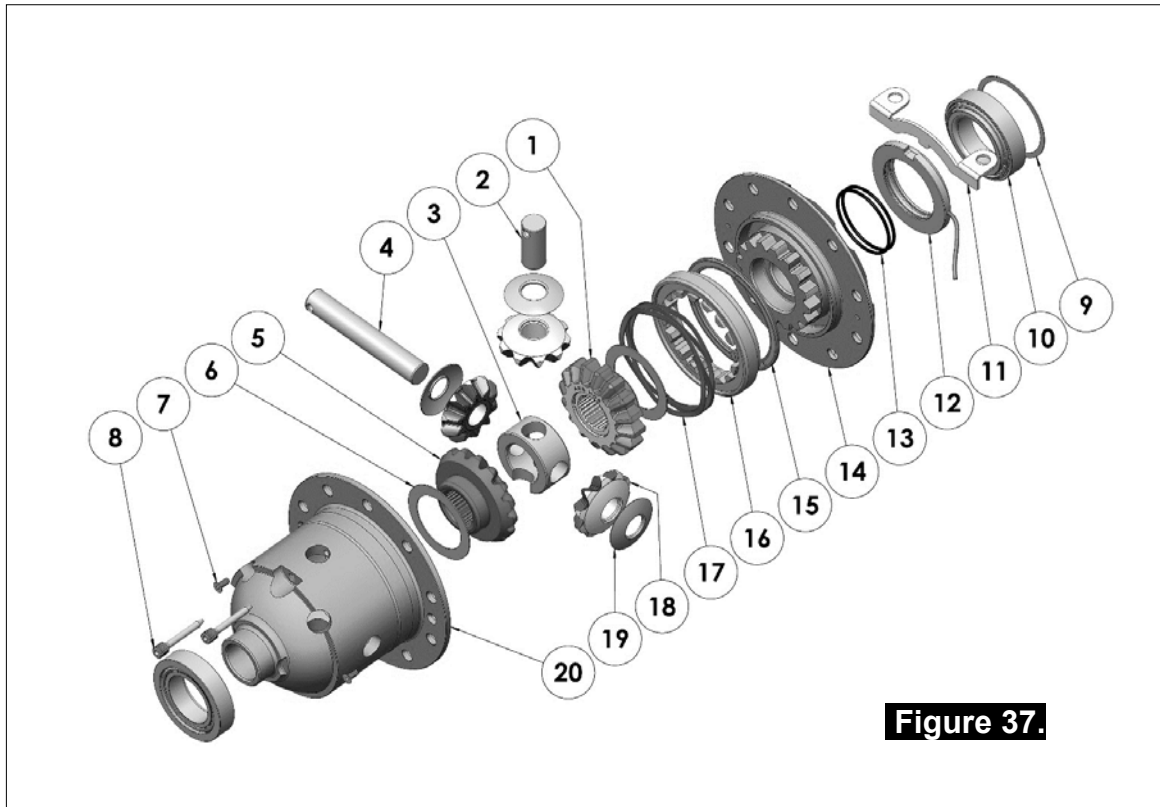


## 7 Parts List

**RD221**

GM 8.5"/10 Bolt/AAM 860, 28 SPL

### 7.1 Exploded Assembly Diagram (See itemized parts list overleaf)



**Figure 37.**

### 7.2 Specifications

Axle Spline	28 tooth, Ø30.5mm [1.20"]
Ratio Supported	2.73:1 & up
Ring Gear ID	127.0mm [5.00"]
Ring Gear OD	216mm [8.5"] & 219mm [8.63"]
Ring Gear Bolts	10 bolts on Ø156mm [6.14"]
Ring Gear Torque	88Nm [65 ft-lb] (GM 8.5") 108Nm [80 ft-lb] (AAM 860)
Backlash	0.15-0.25mm [0.006-0.010"]
Bearing Cap Torque	81Nm [60 ft-lb] (GM 8.5") 108Nm [80ft-lb] (AAM 860)

## 7 Parts List

### 7.3 Itemized Parts List

(See exploded diagram figure 37.)

ITEM #	QTY	DESCRIPTION	PART #	NOTES
1	1	SPLINED SIDE GEAR	SEE NOTE	3
2	1	SHORT CROSS SHAFT	060403SP	
3	1	SPIDER BLOCK	070902SP	
4	1	LONG CROSS SHAFT	060204SP	
5	1	SIDE GEAR	SEE NOTE	3
6	2	SIDE GEAR THRUST WASHER	SEE NOTE	4
7	1	COUNTERSUNK SCREW (PK OF 2)	200213SP	
8	1	RETAINING PIN SET (PK OF 4)	120601SP	
9A	1	SHIM KIT (Ø73.0 [2.9"])	SHK003	
9B	1	SHIM KIT (Ø77.8 [3.1"])	SHK008	
10	2	TAPERED ROLLER BEARING (OD 73.43mm)	160114	2
11A	1	SEAL HOUSING BRACKET (SALISBURY)	220217	
11B	1	SEAL HOUSING BRACKET (BANJO)	220216	
12	1	SEAL HOUSING KIT	081817SP	
13	1	SEAL HOUSING O-RING (PK OF 2)	160248-2	1
14	1	FLANGE CAP KIT	028404SP	
15	1	BONDED SEAL	160702SP	
16	1	CLUTCH GEAR & WAVESPRING KIT	050901SP	
17	1	WAVESPRING	150701SP	
18	3	PINION GEAR	SEE NOTE	3
19	3	PINION THRUST WASHER	SEE NOTE	4
20	1	DIFFERENTIAL CASE	013003SP	
*	1	C-CLIP KIT	CCK005	
*	1	AIR LINE (6mm DIA X 6m LONG)	170314SP	5
*	1	BULKHEAD FITTING KIT (BANJO TYPE)	170114	5
*	1	SOLENOID VALVE (12V)	180103	
*	1	CABLE TIE (PK OF 25)	180305	
*	1	SWITCH RR LOCKER	180224	
*	1	OPERATING & SERVICE MANUAL	210200	
*	1	INSTALLATION GUIDE	2102221	

\* *Not illustrated in exploded view*

### NOTES

- 1 For replacement O-rings use only BS140 Viton 75.
  - 2 For replacement bearing on early model 'small bearing' (Ø73.43mm [2.891"]) axle use Timken part # LM102949 / LM102911.  
For replacement bearing on late model 'large bearing' (Ø77.79mm [3.063"]) axle use Timken part # LM603049 / LM603012.
  - 3 Available only as complete 5 gear set #728H041C.
  - 4 Available only as complete thrust washer kit #730H01
  - 5 All diffs produced before serial #17070001 came with 5mm air connection system.  
For information contact ARB.
- Ring gear bolts are 7/16"- 20 left-hand thread, and must be removed in a clockwise direction.
  - Thicker aftermarket ring gears may require mods to remove the cross shaft.  
Refer Tech note (Section 5.6).
  - For the 30 spline model see RD222 (Section 2.222).

Part No. 2102221  
Revision 28/10/2020  
Copyright © 2015 by ARB Corporation Limited

