

ROUGH COUNTRY

SUSPENSION SYSTEMS®

JEEP JL / GLADIATOR / JK WINCH BUMPER w/ LED's

Thank you for choosing Rough Country for all your suspension needs.

Please read instructions before beginning installation. Check the kit hardware against the parts list. Be sure you have all needed parts and know where they go. Also please review tools needed list and make sure you have needed tools.

PRODUCT USE INFORMATION

Please read instructions before beginning installation. Check the kit hardware against the parts list and product layout. Be sure you have all needed parts and know where they go. Also please review tools needed list and make sure you have needed tools.

If questions exist we will be happy to answer any questions concerning the function and correct use of this product.

The installer must verify that the mounting kit does not interfere with the factory air bag sensors, which must not be relocated or modified in any way. The vehicles air bag system may not operate properly if the winch mounting kit is not mounted in compliance with the vehicle manufacturers recommendations.

Kit Contents:

- 10597-Fr Winch Bumper
- 2-D-rings
- 1-20" Slim Line LED Light
- 2-2" LED Lights
- 2 - JK Lower Skid Plate Brackets
- 2 - JL/Gladiator Lower Skid Plate Brackets

10597bag:

- 8 - 12mm Flat Washers
- 8 - 12mm Lock Washers
- 4 - 12mm Nuts
- 4 - 12mm x 35mm Bolts
- 2 - 6mmx 20mm Button Head Bolts
- 2 - 6mm flat washers
- 2 - 6mm lock washers
- 2 - 6mm Nuts
- 18 - 8mm Flat washers
- 10 - 8mm Lock washers
- 8 - 8mm Nuts
- 8 - 8mm x 30mm Button Head Bolts
- 2 - 8mm x 16m Bolts
- 4 - Plastic Retainers
- 4 - Flag Nuts

For JK Lower Skid plate brackets:

- 2 - 8mm x 30mm Button Head Bolts
- 2 - 6mm Flat Washers

Tools Needed:

- 13mm Wrench/Socket
- 18mm Wrench/Socket
- 16mm Wrench/Socket
- 5mm Allen Wrench
- 6mm Allen Wrench
- Flat Head Screwdriver

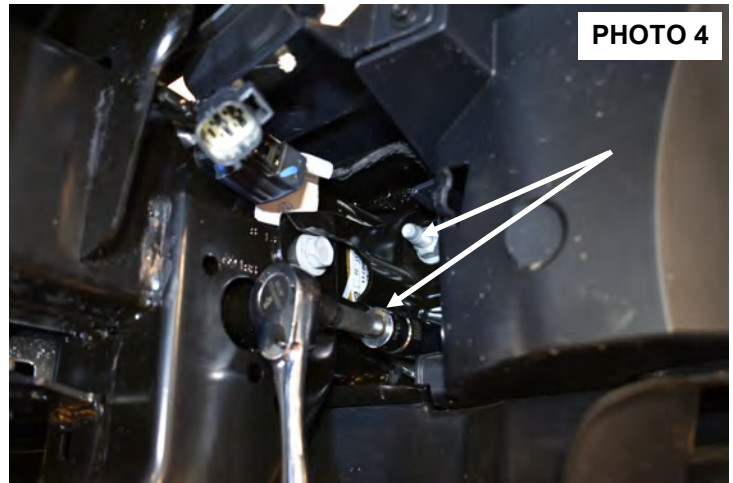
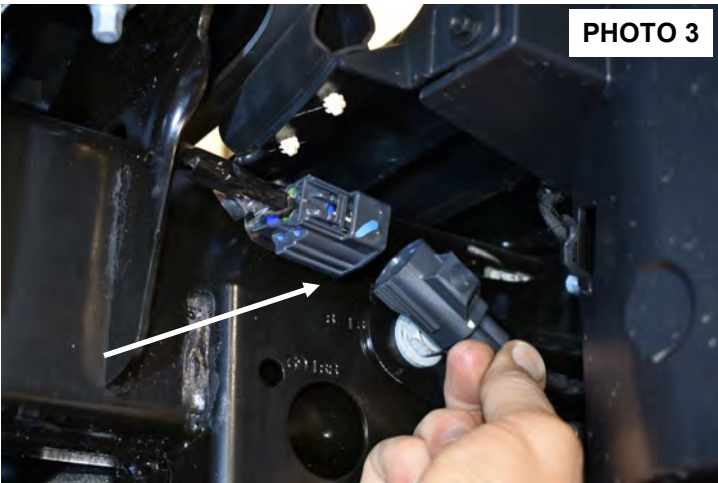


INSTALLATION INSTRUCTIONS

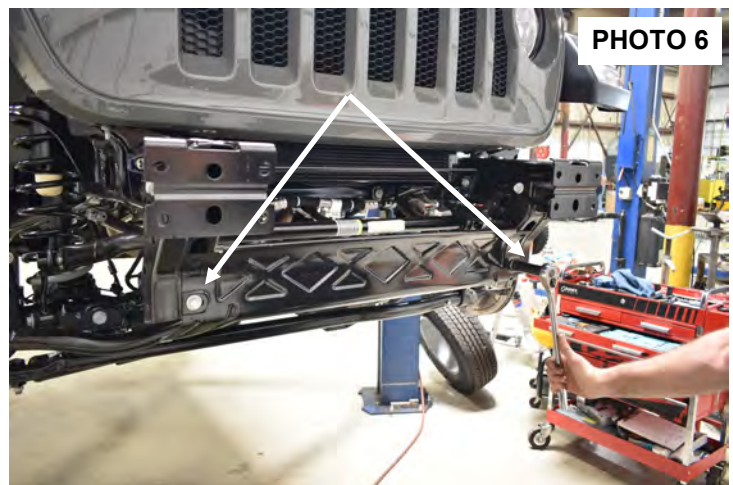
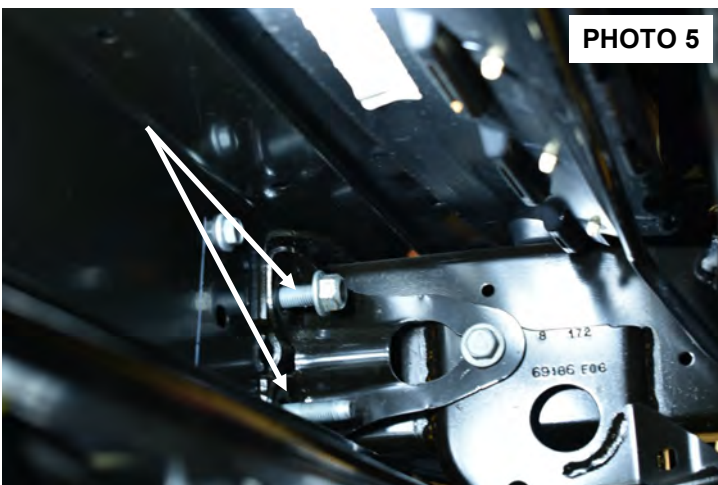
1. Place vehicle on a flat surface and set emergency brake.
2. Remove the 2 plastic pins on the top of the front bumper cover between the bumper and grill and the clips holding the trim piece to the bumper. **See Photo 1.**
3. Remove the two 6mm screws from the factory lower skid plate. **See Photo 2.**



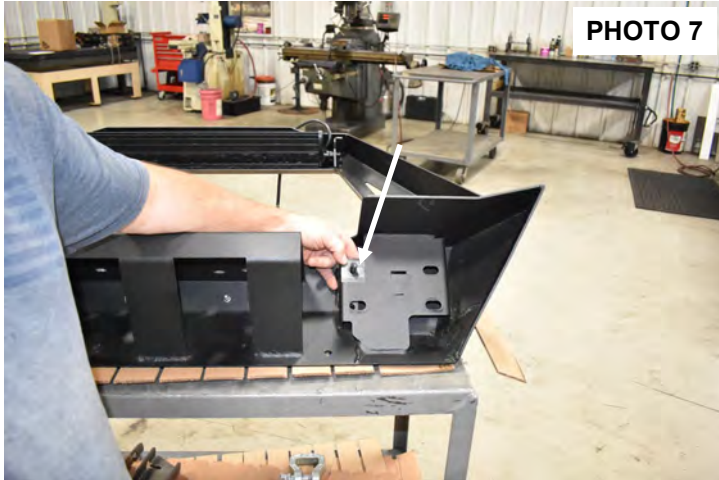
4. Unplug the fog light wiring harness on the passenger side as shown in **Photo 3.**
5. Remove the 4 bolts on each side using a 18mm socket and remove the bumper from the vehicle. **See Photo 4 & 5.**



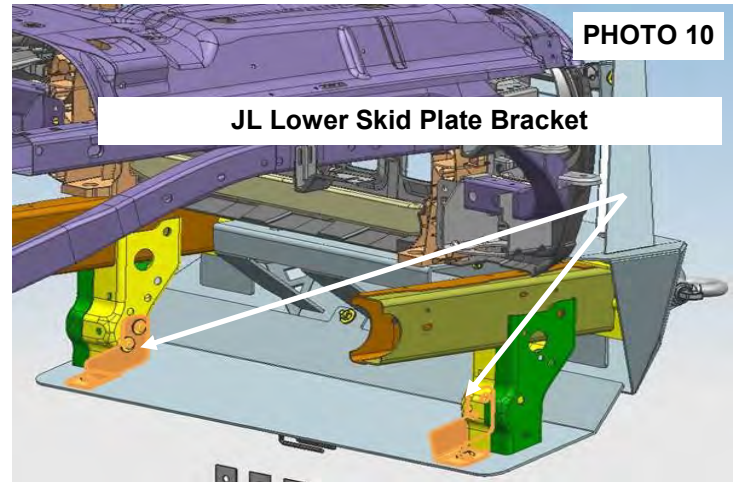
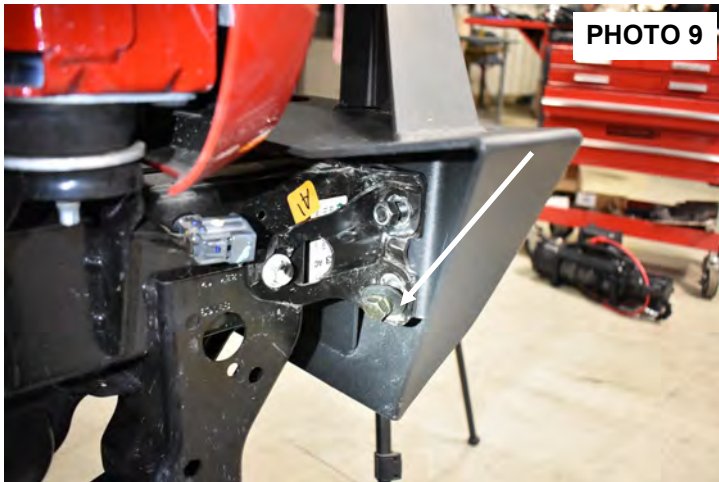
6. Remove the factory crash bar as shown in **Photo 6** using a 16mm socket.



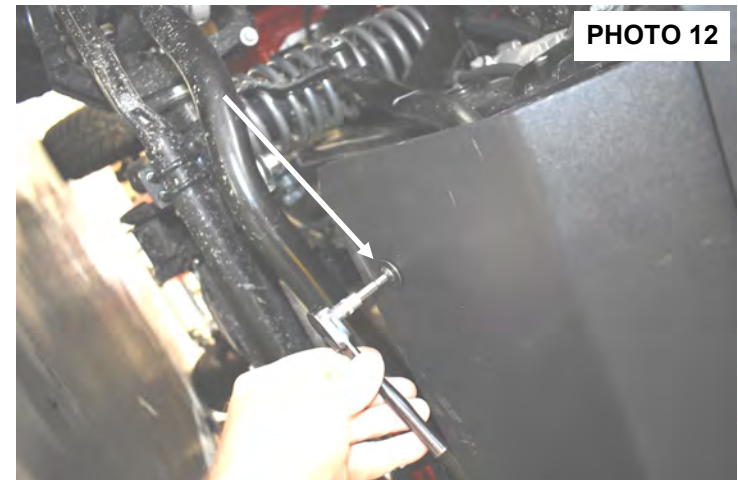
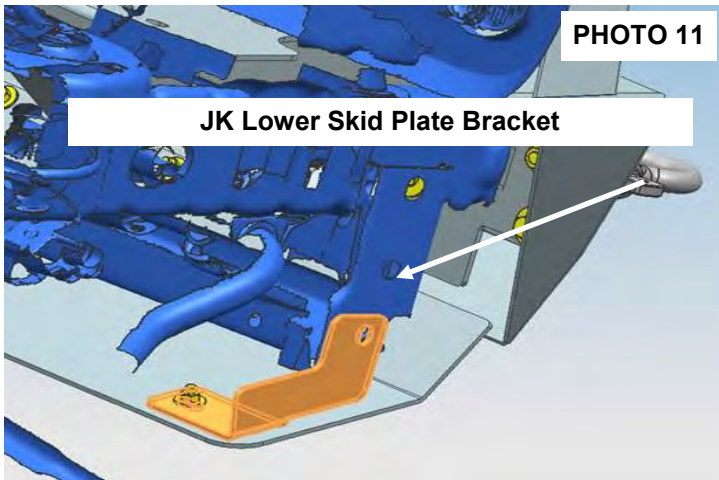
7. Install the hawse or roller fairlead and winch on the bumper using the hardware from the winch kit.
8. Install the LED light bar in the light mount and the flush mount LED lights in the bumper. Hardware with those kits will be used to install those lights.
9. Install the supplied flag nuts plates and secure them to the bumper using the plastic retainers only on the top holes of the bumper. 2 per side. **See Photo 7.**
10. Install the bumper in the factory mounting locations and secure with the supplied 12mm washers and nuts using a 18mm socket. Do not fully tighten at this time to allow bumper to be adjusted. **See Photo 8.**



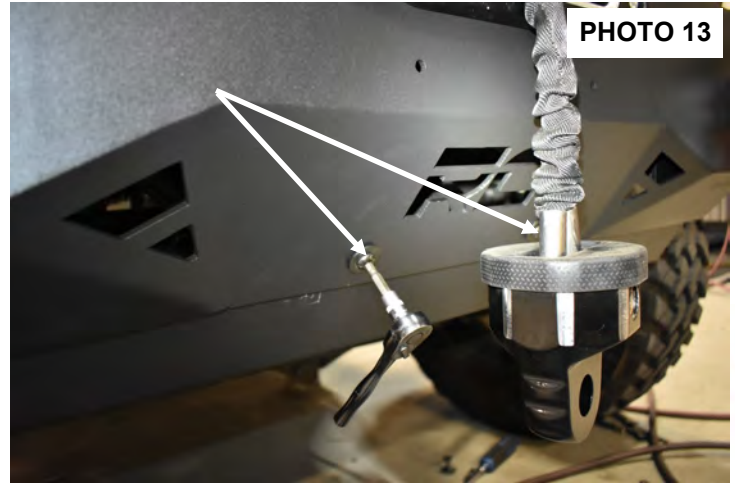
11. Install the lower bolts in the bumper. **See Photo 9.** Do not fully tighten bolts.
12. Install the lower skid plate brackets to the frame as shown in **Photo 10** for the JL model and as shown in **Photo 11** for the JK model. with the supplied 8mm button head bolts, washers and nuts. Tighten hardware using a 6mm allen wrench and 13mm wrench.



13. Install the skid plate to the brackets with the supplied 8mm button head bolts, washers and nuts. **See Photo 12.**
14. Center bumper on vehicle and tighten frame mount hardware using a 18mm wrench.



15. Secure the skid plate to the bumper with the supplied 8mm button head bolts, washers and nuts. **See Photo 13.**



MAINTENANCE INFORMATION

1. Failure to securely tighten all bolts on the winch bumper, winch, and fairlead can result in product failure, which may result in vehicle damage or operator injury. Check that all bolts are securely tightened prior to use.
2. Inspect all nuts and bolts on the winch, bumper, and related hardware prior to each use. Tighten all nuts that appear to be loose. Stripped, fractured, or bent bolts or nuts should be replaced.
3. Periodically check bolt for tightness.

OPTIONAL ACCESSORIES FOR JK WINCH BUMPER CALL YOUR ROUGH COUNTRY DEALER TO ORDER



**ROUGH COUNTRY ELECTRIC WINCH
AVAILABLE IN 9500LB & 12000LB**

SYNTHETIC WINCH ROPES



PART # RS120 WINCH STRAP



WINCH COVER



THANK YOU FOR CHOOSING ROUGH COUNTRY FOR YOUR OFF ROAD NEEDS



By purchasing any item sold by Rough Country, LLC, the buyer expressly warrants that he/she is in compliance with all applicable, State, and Local laws and regulations regarding the purchase, ownership, and use of the item. It shall be the buyers responsibility to comply with all Federal, State and Local laws governing the sales of any items listed, illustrated or sold. The buyer expressly agrees to indemnify and hold harmless Rough Country, LLC for all claims resulting directly or indirectly from the purchase, ownership, or use of the items.