

CAN AM 2016-22 Defender Cab Heater

Thank you for choosing Rough Country for all your UTV needs.

Please read instructions before beginning installation. Check the kit hardware against the kit contents shown below. Be sure you have all needed parts and know where they go.

If question exist, please call us @1-800-222-7023. We will be happy to answer any questions concerning this product.

Check all fasteners for proper torque. Check to ensure for adequate clearance between all components.

Periodically check all hardware for tightness.

TOOLS NEEDED:

2" Hole Saw

Drill Motor

Tape Measure

Marker

Various Sockets/Wrenches

Ratchet

1/8" Drill

Screwdrivers

Knife or Body Saw

Pliers

Manufacturer Approved Engine Coolant

Clamping Pliers



Torque Specs:

Size	Grade 5	Grade 8	Size	Class 8.8	Class 10.9
5/16"	15 ft/lbs	20ft/lbs	6MM	5ft/lbs	9ft/lbs
3/8"	30 ft/lbs	35ft/lbs	8MM	18ft/lbs	23ft/lbs
7/16"	45 ft/lbs	60ft/lbs	10MM	32ft/lbs	45ft/lbs
1/2"	65 ft/lbs	90ft/lbs	12MM	55ft/lbs	75ft/lbs
9/16"	95 ft/lbs	130ft/lbs	14MM	85ft/lbs	120ft/lbs
5/8"	135ft/lbs	175ft/lbs	16MM	130ft/lbs	165ft/lbs
3/4"	185ft/lbs	280ft/lbs	18MM	170ft/lbs	240ft/lbs

1. Remove the passenger grab bar and removable glove box.
2. Remove the lower dash panel. **See Photo 1.**
3. Cut and remove the middle cubby hole. **See Photo 2.** There are two bolt holes that you **DO NOT** cut off. **See Photos 3 & 4.**



- Make the bottom cut roughly an inch in off the molding depressions. **See Photo 5.**
4. **For 2016-19 models, 2020-up models skip to step 6.** Remove the radiator line cover located on the firewall. **See Photo 5.**
 5. Cut a 2-3" hole as shown in. **See Photo 6.** Use a razor blade to cut an opening through the top edge of the panel. **See Photo 7.**

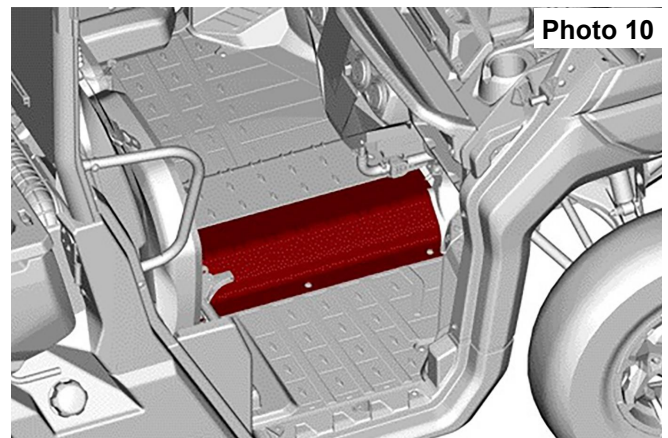
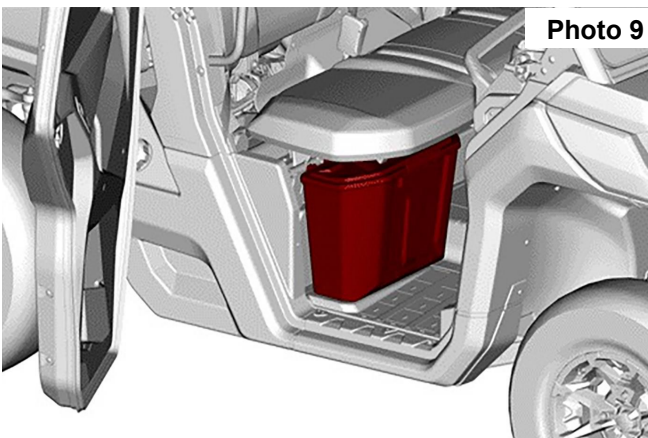


6. **2020-up models.** Remove the radiator hose cover, located on the firewall. Cut a square out as shown in **Photo 8**.



7. Lift the passenger seat and remove the tool box. **See Photo 9.**

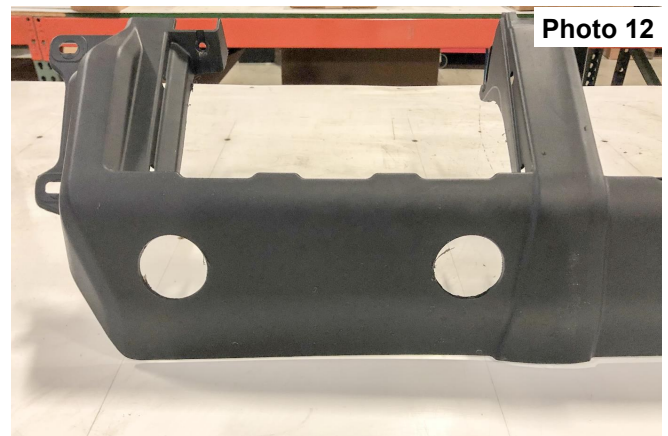
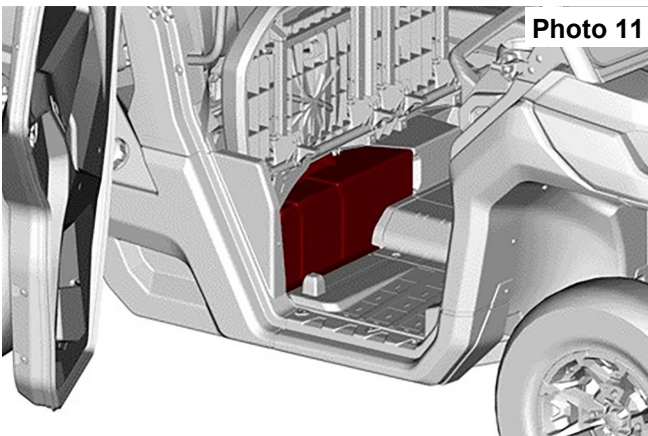
8. Remove the passenger side center floor panel. **See Photo 10.**



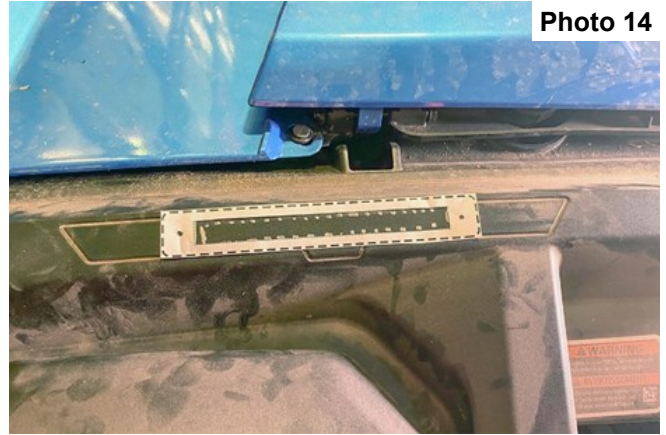
9. Remove the passenger side under-seat panel. **See Photo 11.**

10. Using the circle cut out templates, set the templates and mark your hole-saw bit starting points.

11. Using a 2" hole-saw drill out the holes for the louvers. **See Photo 12.** You will need to use a blade and enlarge the hole 1/16" of an inch for the louver adapter to fit easily through the hole.



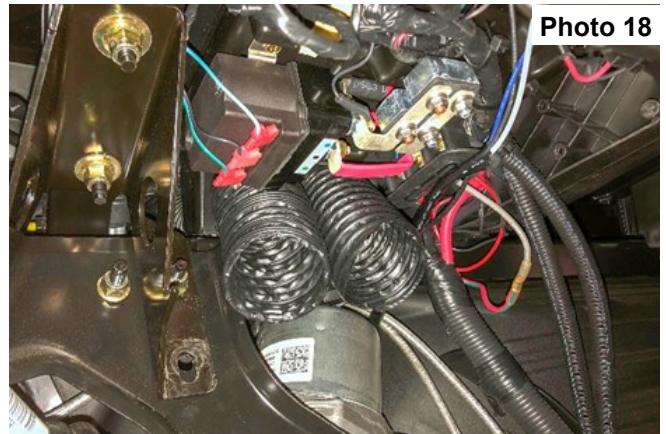
12. Install the (2) floor louvers and leave this bottom dash piece to be installed later in the installation. **See Photo 13.**
13. For the defrost vents, place the cut-out templates as shown in **Photo 14** and trace the opening.



14. Cut out the traced lines drawn in the previous step. **See Photo 15.**
15. Cut 3-foot pieces of duct and connect them to the defrost vent adapters.
16. Using a partner, hold the defrost adapters from the under-side of the dash panel (**See Photo 16**) and have your partner screw the grills in from the top (**See Photo 17**).



17. Leave the duct hang (**See Photo 18**), this will be installed later.



18. Using the bolt, washer and nut provided in the kit, mount the driver side heater bracket under the center dash.
See Photo 19.
You will not mount the passenger side bracket until later in the installation when you put the lower dash panel back on the machine.
Remove the Factory Bolt and Nut that are in the mounting point and dispose.
Connect the (2) runs of duct to the back heater box adapters. Trim the duct to length as you do not want too much duct pushing around in that small area.
19. Set the rocker switch in a factory dash switch opening and connect the wiring harness to the backside.
20. Connect the Red/Black wire harness wires to the 12v power accessory bar under the center dash. **See Photo 20.**
Let the white blower connector hang for later in the installation when you install the heater box.
21. Connect the white connector from the wiring harness to the heater blower.
22. Turn on the power and test the blower.

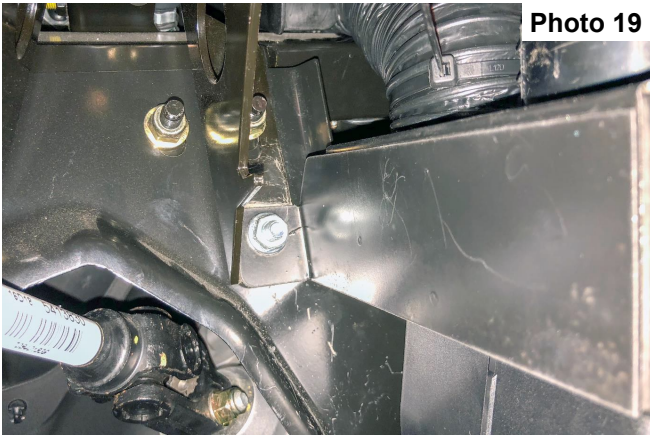


Photo 19

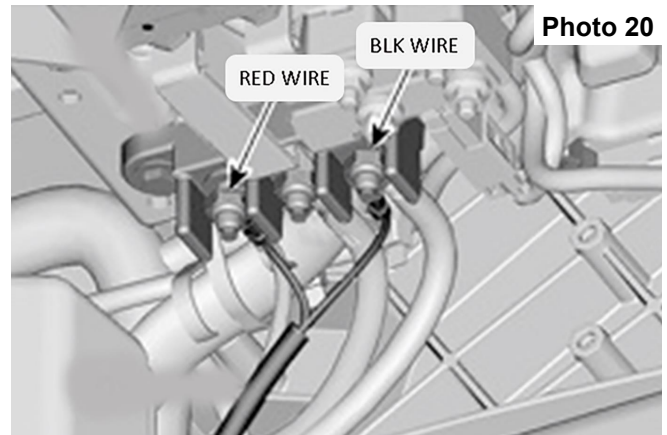


Photo 20

FOR 2016-2019 MACHINES (RETURN Y-FITTING):

23. Find the lower (return) radiator line from inside the cab. **See Photo 21.**
The lower (return) radiator line sits behind the upper (inlet) line in the cab. In this spot the hoses can be easily moved, so pull the return line out to a workable spot.
24. Using clamps, clamp off on each side of the lower radiator line where you will cut in to install the 1" Y-Fitting (**Photo 21**), once installed, secure with the hose clamps provided.
Make sure the 5/8" splice is pointing toward the radiator (in this case the splice will be pointing towards the sky), you want the coolant to flow back into the lower radiator line in the same direction it is moving from the radiator.
25. Cut a 2-foot piece of heater hose and run it from the Y-Fitting to the heater box (doesn't matter which fitting). Secure with the hose clamps provided.

FOR 2020-CURRENT MACHINES (RETURN Y-FITTING):

26. Find the lower (return) radiator line from inside the cab. **See Photo 22.**
The lower (return) radiator line sits behind the cab panel shown in **Photo 22**, make cuts (shown by the arrows) for more workable space. You can also access the lower radiator line from the front passenger wheel well.
27. Using clamps, clamp off on each side of the lower radiator line where you will cut in to install the 1" Y-Fitting (**Photo 22**), once installed, secure with the hose clamps provided.
Make sure the 5/8" splice is pointing toward the radiator (in this case the splice will be pointing towards the sky), you want the coolant to flow back into the lower radiator line in the same direction it is moving from the radiator.
28. Cut (2) 2" pieces of heater hose and connect the PEX elbow fittings to these 2" pieces of heater hose with the hose clamps provided.

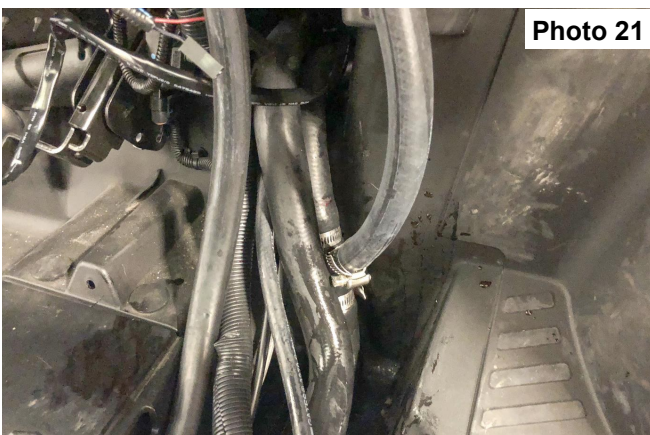


Photo 21

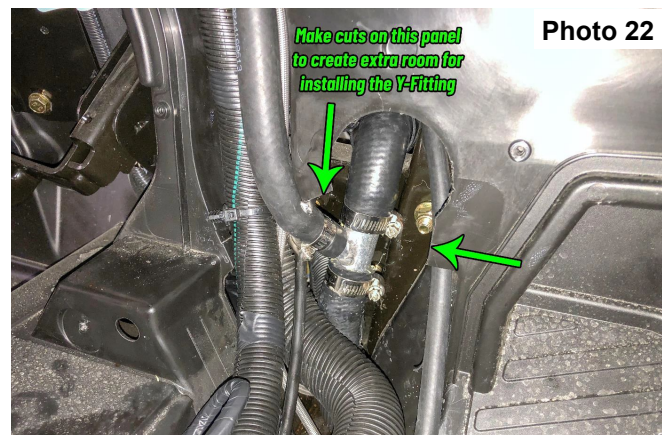


Photo 22

Make cuts on this panel to create extra room for installing the Y-Fitting

29. Now connect these PEX elbows to the heater core fittings. **See Photo 23.**
30. Cut a 2-foot piece of heater hose and run it from the Y-Fitting to the heater box fitting that is closer to the front of the machine. Secure with the hose clamps provided.

FOR ALL MACHINES (INLET Y-FITTING):

31. Raise the bed and find the upper (inlet) radiator line. **See Photo 24.**
Take the pin out of the bed strut so you can raise it back further and have more room to work.

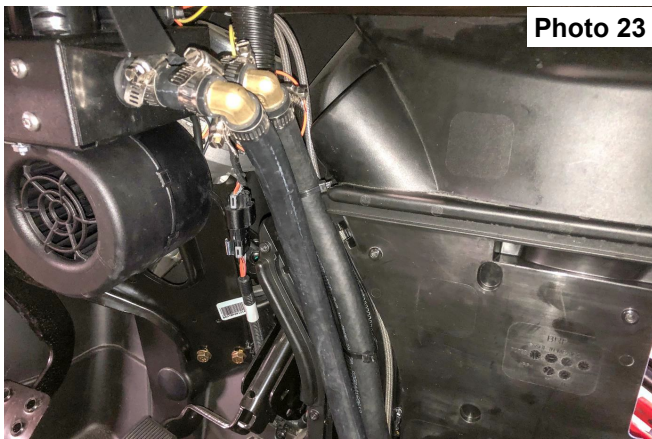


Photo 23

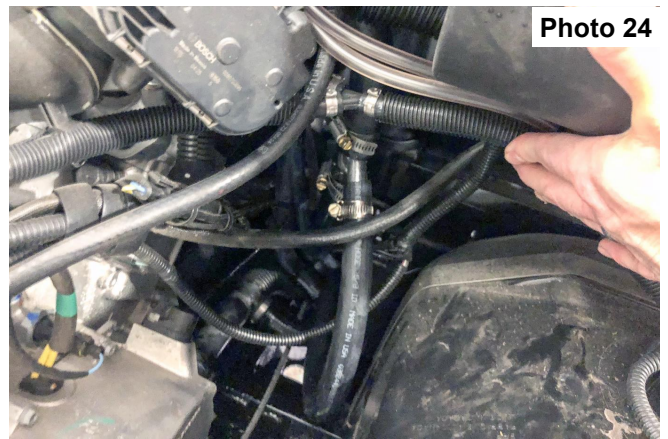


Photo 24

32. Using clamps, clamp off on each side of the upper (inlet) radiator line where you will cut in to install the 1" Y-Fitting. **See Photo 25.** Once installed, secure with the hose clamps provided. Make sure the 5/8" splice is pointing toward the radiator (in this case the splice will be pointing towards the ground), you want the coolant to flow off of the inlet radiator line (to the splice) in the same direction it is moving from the engine.
33. Run the remaining heater hose from the Y-Fitting (**Photo 24**) to the heater box. Secure with hose clamps provided. There is a shut-off valve included with the heater. Install this just after the inlet Y-fitting, a few inches into the heater hose. This will allow you to cut off flow to the heater in the warm months.
34. Put the 3 floor panels back on in the cab and feed the hose through the openings that were previously cut in the radiator line covers. **See Photo 26 and Photo 27.**

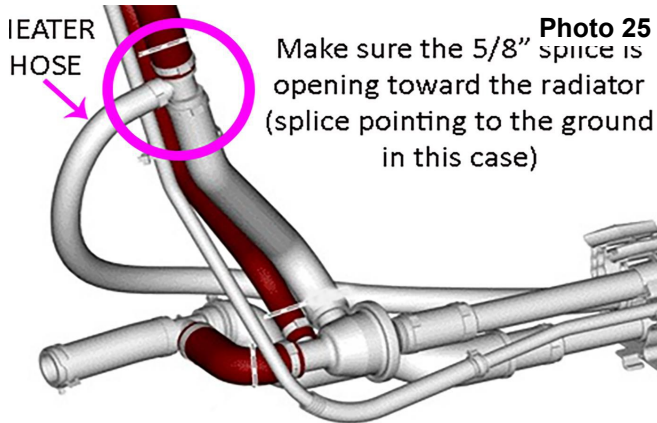


Photo 25
Make sure the 5/8" splice is opening toward the radiator (splice pointing to the ground in this case)

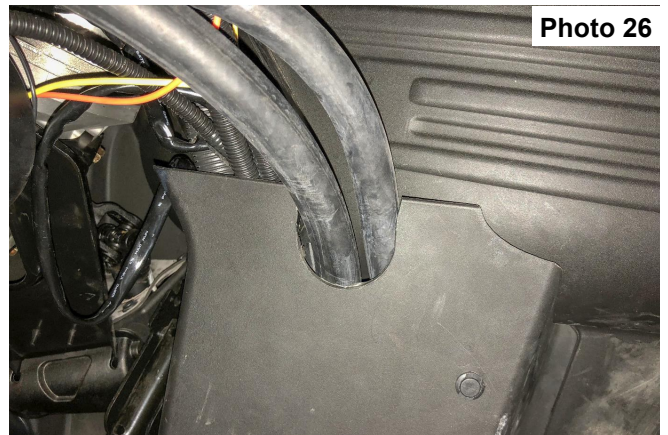


Photo 26

35. Cut an 18" (driver side floor louver) and 24" (passenger side floor louver) and attach them to the two front heater box adapters.
36. Before setting the lower dash panel back in place, connect the two runs of duct to the floor louver adapters.
37. Use the duct barbs on the adapters for extra hold.
38. Wrap the passenger side duct around the backside of the passenger side mounting bracket, you will need it out of the way of the mounting screw. **See Photo 28.**
39. Reinstall the lower dash panel **except** for the screw for the mounting point of the passenger side mounting bracket.
40. Using a partner, have the partner maneuver the heater box in place so the mounting bracket hole mirrors the mounting hole. The lower dash panel will be in between the bracket and the machine so it will be mounted by the screw as well. **See Photo 28.**

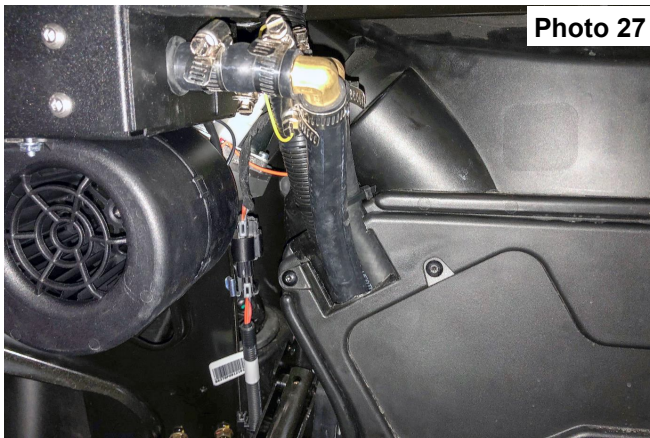


Photo 27

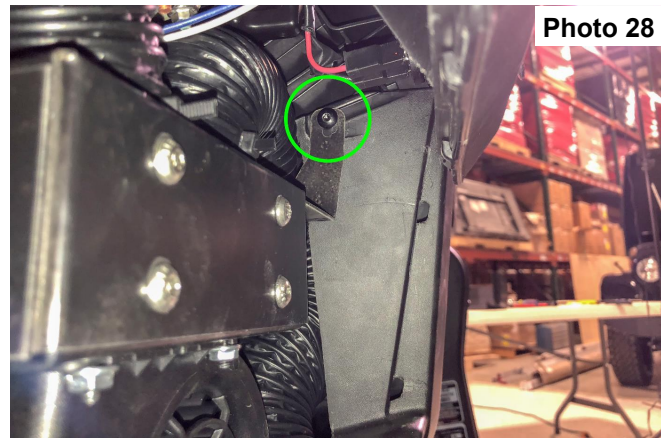


Photo 28

41. Install the middle cubby block-off plate.
42. Install one side of the tabs and then push in of the middle of the plate to make room to get the other side tabs fit. You can run your hand underneath to help hold the backside.
43. Plastic moves so if the plate is too tight you can loosen the bolts by the steering wheel to create more space, or you can take a razor blade and shave down the cubby block-off at the spot where it is tight. **See Photo 29.**

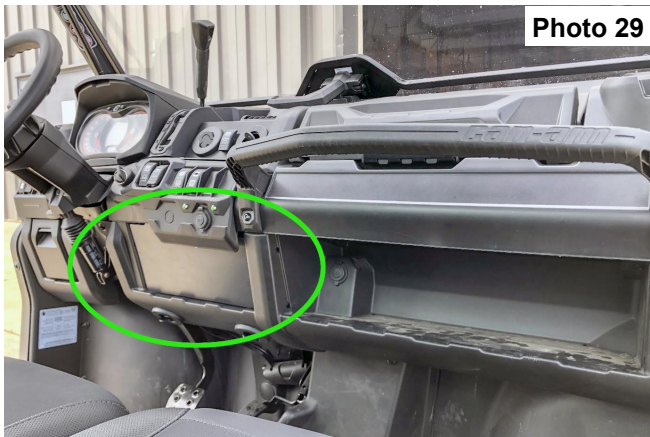


Photo 29

Thank you for choosing Rough Country for all your UTV needs.

By purchasing any item sold by Rough Country, LLC, the buyer expressly warrants that he/she is in compliance with all applicable, State, and Local laws and regulations regarding the purchase, ownership, and use of the item. It shall be the buyers responsibility to comply with all Federal, State and Local laws governing the sales of any items listed, illustrated or sold. The buyer expressly agrees to indemnify and hold harmless Rough Country, LLC for all claims resulting directly or indirectly from the purchase, ownership, or use of the items.



