



SUPERLIFT®

S U S P E N S I O N

SUPERLIFT® STEERING STABILIZER KIT INSTALLATION INSTRUCTIONS

INTRODUCTION

Installation requires a professional mechanic. Prior to beginning, inspect the steering sector-to-frame and all suspension-to-frame attaching points for stress cracks. The overall vehicle must be in excellent working condition; repair or replace all worn parts.

Read instructions several times before starting. Be sure you have all needed parts and know where they install. Read each step completely as you go.

NOTES:

- **Prior to beginning the installation, check all parts and hardware in the box with the parts list below. If you find a packaging error, contact Superlift directly. Do not contact the dealer where the system was originally purchased. You will need the control number from each box when calling; this number is located at the bottom of the part number label and to the right of the bar code.**
- A foot-pound (unless noted) torque reading is given in parenthesis () after each appropriate fastener.
- Prior to attaching components, be sure all mating surfaces are free of grit, grease, undercoating, etc.
- A factory service manual should be on hand for reference.

PARTS LIST ... The part number is stamped into each part or printed on an adhesive label. Identify each part and place the appropriate mounting hardware with it.

Part Number	Qty. per Kit	Description	Qty. per Bracket	New Attaching Hardware	Hardware Bag Number
01-81200 (651991)	2	hydraulic steering stabilizer	1	711027 tapered sleeve	77-92660A
			1	01-60451 sleeve	
			1	1/2" x 3-1/2" fine thread bolt	77-92050A
			1	1/2" lock washer	
			1	1/2" standard nut	
			2	1/2" uss washer (thick)	
			1	1/2" uss washer (thin)	
			1	7/16" fine thread nut	01-60465
			1	7/16" lock washer	
			1	1/2" fine thread nut	
			1	1/2" lock washer	
			1	7/16" USS washer	
			1	shock mounting stud	
55-01-92660	1	center mounting bracket	2	7/16" x 3" x 3-1/4" u-bolt	77-92660B
			4	7/16" Nyloc nut	
			4	7/16" SAE washer	
55-02-92620	2	tie rod mounting bracket	2	5/16" x 1-1/4" x 2" u-bolt	77-92660B
			4	5/16" locking flange nut	

Kit Part Number 92660			Kit Part Number 77-92050A		
Part Number	Qty.	Description	Part Number	Qty.	Description
01-81200 (651991)	2	hydraulic steering stabilizer	12X312F8CS	1	1/2" X 3-1/2" fine thread bolt
55-01-92660	1	center mounting bracket	12F5N	1	1/2" fine thread nut
55-02-92660	2	tie rod mounting bracket	12LW	1	1/2" lock washer
77-92660A	1	hardware bag	1550	2	1/2" USS washer (thick)
77-92660B	1	hardware bag	12UW	1	1/2" USS washer (thin)
Kit Part Number 77-92660A			Kit Part Number 01-60465		
Part Number	Qty.	Description	Part Number	Qty.	Description
77-92050A	1	hardware bag	716F5N	1	7/16" fine thread nut
01-60465	4	shock stud kit	716LW	1	7/16" lock washer
711027	1	tapered sleeve	12F5N	1	1/2" fine thread nut
01-60451	1	sleeve - 0.625" ID x 0.50" x 1.38" L	12LW	1	1/2" lock washer
			716UW	1	7/16" USS washer
Kit Part Number 77-92660B			Shock Stud	1	shock mounting stud
Part Number	Qty.	Description			
516X114X2UB	4	5/16" x 1-1/4" x 2" u-bolt			

GM INSTALLATION

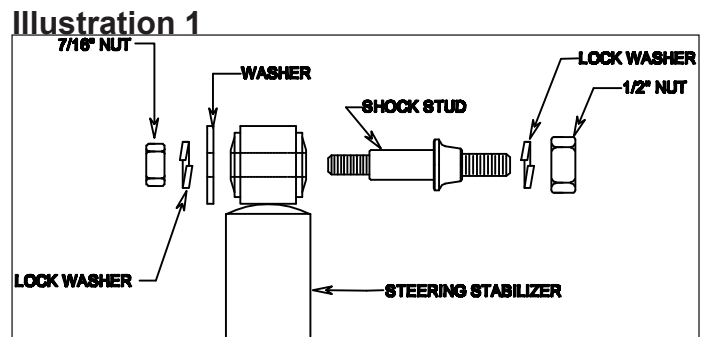
NOTE: Save all factory components and hardware for reuse, unless noted.

- 1) Make sure the wheels are facing straight forward. Remove the factory steering stabilizer.
- 2) Place the center mounting bracket (55-01-92660) on top of the axle, against the side of the differential housing where the axle tube goes into the housing. Attach using the supplied 7/16" u-bolts, washers, and Nyloc nuts. Snug but do not tighten at this time.

3) [Illustration 1] Install one of the stud mounting kits (01-60465) into each eye of one stabilizer cylinder.

4) Attach the body end of the cylinder to the bottom of the center mounting bracket (55-01-92660) using the supplied lock washer and nut.

5) Attach the tie rod bracket (55-02-92660) to the shaft end of the cylinder using the supplied lock washer and nut, so the cylinder will be on the top of the tie rod bracket when attached to the tie rod.



6) Extend the shaft end of the cylinder 4-1/2" and attach the tie rod bracket (55-02-92660) to the bottom of the tie rod using the supplied 5/16" u-bolts and flange nuts. Snug but do not tighten at this time.

7) Position the center mounting bracket (55-01-92660) above the tie rod where there will be no interference. Make sure the bracket is still against the differential and tighten u-bolts. (50) Position the tie rod bracket (55-02-92660) to where it will not interfere with the leaf springs and tighten u-bolts. (200 in-lbs)

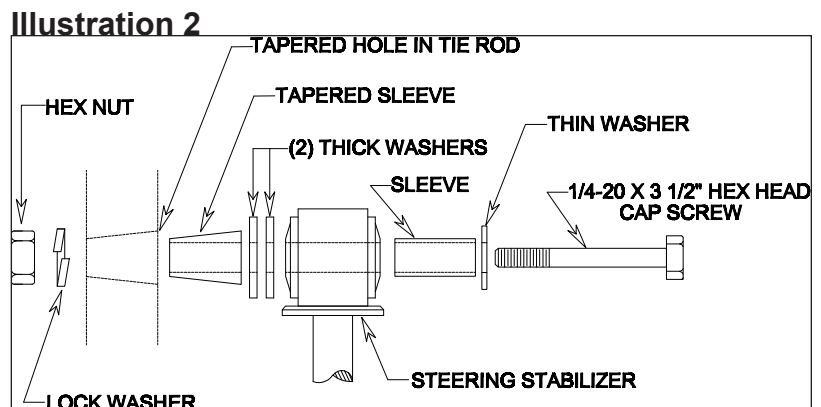
8) [Illustration 1] Install one of the stud mounting kits (01-60465) in the eye of the barrel end of the remaining steering stabilizer. Install the supplied sleeve into the eye of the shaft end of the cylinder.

9) Attach the body end of the cylinder to the factory location on the axle using the supplied lock washer and nut. Do not tighten at this time.

10) [Illustration 2] Extend the shaft end of the cylinder to the hole in the tie rod. Install the tapered sleeve into the tie rod and attach the cylinder with supplied bolt, washers, lock washers, and nut.

11) Tighten the hardware at the cylinder eyes. (75)

12) Cycle the steering from stop to stop making sure that no interference occurs. Recheck all hardware for tightness.



DODGE INSTALLATION

NOTE: Save all factory components and hardware for reuse, unless noted.

- 1) Make sure the wheels are facing straight forward. Remove the factory steering stabilizer.
- 2) Place the center mounting bracket (55-01-92660) on the bottom of the axle, against the side of the differential housing where the axle tube goes into the housing. Attach using the supplied 7/16" u-bolts, washers, and Nyloc nuts. Snug but do not tighten at this time.

3) [Illustration 1] Install one of the stud mounting kits (01-60465) into each eye of stabilizer cylinders. Attach the body end of each cylinder to the top of the center mounting bracket (55-01-92660) using the supplied lock washers and nut.

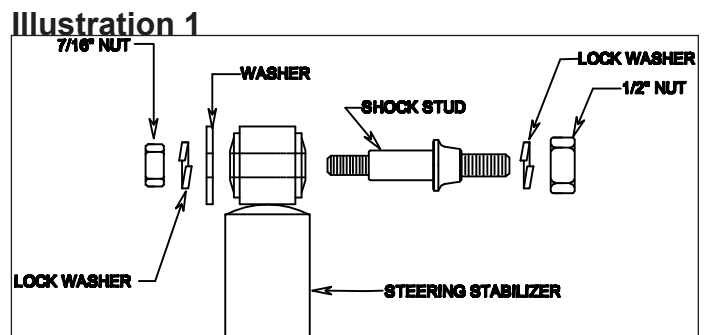
4) Attach the tie rod brackets (55-02-92660) to the shaft end of each cylinder using the supplied lock washers and nuts, so that the cylinder will be on top of the tie rod bracket when attached to the tie rod.

5) Extend the shaft end of the cylinders out 4-1/2" and attach the tie rod brackets (55-02-92660) to the bottom of the tie rod using the supplied 5/16" u-bolts, washers, and flange nuts. Do not tighten at this time.

6) Position the center mounting bracket (55-01-92660) below the tie rod where there will be no interference. Make sure the bracket is still against the differential and tighten u-bolts. **(50)** Position the tie rod brackets (55-02-92660) to where they will not interfere with the leaf springs and tighten u-bolts. (200 in-lbs)

7) Tighten the hardware at the cylinder eyes. (75)

8) Cycle the steering from stop to stop making sure that no interference occurs. Recheck all hardware for tightness.



FORD INSTALLATION

NOTE: Save all factory components and hardware for reuse, unless noted.

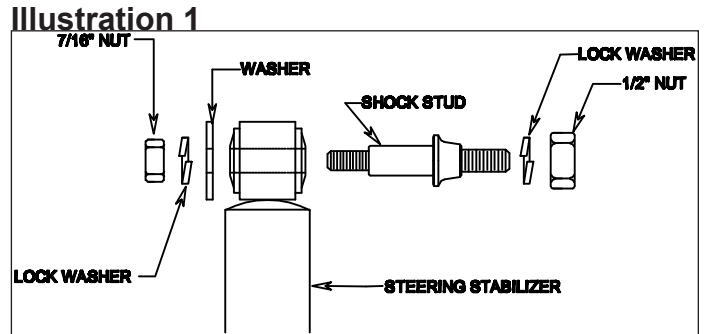
1) Make sure the wheels are facing straight forward.

NOTE: Vehicles from 1977 to 1979 equipped with the original steering stabilizer continue to step number 2, if not skip to step number 3.

2) Remove the factory steering stabilizer. Using a cutoff wheel or appropriate cutting tool, remove the metal locating strap from the tie rod. After the strap has been removed, grind or file the surface smooth.

3) Place the center mounting bracket (55-01-92660) on the top of the axle, against the side of the differential housing where the axle tube goes into the housing. Attach using the supplied 7/16" u-bolts, washers, and Nyloc nuts. Snug but do not tighten at this time.

4) **[Illustration 1]** Install one of the stud mounting kits (01-60465) into each eye of stabilizer cylinders. Attach the shaft end of each cylinder to the top of the center mounting bracket (55-01-92660) using the supplied lock washers and nut.



5) Attach the tie rod brackets (55-02-92660) to the body end of each cylinder using the supplied lock washers and nuts, so that the cylinder will be on the bottom of the tie rod bracket when attached to the tie rod.

6) Extend the body end of the cylinders out 4-1/2" and attach the tie rod brackets (55-02-92660) to the top of the tie rod using the supplied 5/16" u-bolts, washers, and flange nuts. Do not tighten at this time.

7) Position the center mounting bracket (55-01-92660) above the tie rod where there will be no interference. Make sure the crossmember will not come down and contact the bracket also make sure the bracket is still against the differential and tighten u-bolts. (50) Position the tie rod bracket (55-02-92660) to where it will not interfere with the leaf springs and tighten u-bolts. (200 in-lbs)

8) Tighten the hardware at the cylinder eyes. (75)

9) Cycle the steering from stop to stop making sure that no interference occurs. Recheck all hardware for tightness.

Limited Lifetime Warranty / Warnings

Your Superlift® product is covered by the Limited Warranty explained below that gives you specific legal rights. This limited warranty is the only warranty Superlift® makes in connection with your product purchase. Superlift® neither assumes nor authorizes any retailer or other person or entity to assume for it any other obligation or liability in connection with this product or limited warranty.

What is covered? Subject to the terms below, Superlift® will repair or replace its products found defective in materials or workmanship for so long as the original purchaser owns the vehicle on which the product was originally installed. Your warrantor is LKI Enterprises, Inc. d/b/a Superlift® Suspension Systems (“Superlift®”).

What is not covered? Your Superlift® Limited Warranty does not cover products, parts or vehicles Superlift® determines to have been damaged by or subjected to:

- Alteration, modification or failure to maintain.
- Normal wear and tear (bushings, tie-rod ends, etc.). Scratches or defects in product finishes (powdercoating, plating, etc.),
- Damage to or resulting from vehicle’s electronic stability system, related components or other vehicle systems.
- Racing or other vehicle competitions or contests. Accidents, impact by rocks, trees, obstacles or other aspects of the environment.
- Theft, vandalism or other intentional damage.

Remedy Limited to Repair / Replacement. The exclusive remedy provided hereunder shall, upon Superlift’s inspection and at Superlift’s option, be either repair or replacement of product or parts covered under this Limited Warranty. Customers requesting warranty consideration should contact Superlift® by phone (1-800-551-4955) to obtain a Returned Goods Authorization number. All removal, shipping and installation costs are customer’s responsibility.

If a replacement part is needed before the Superlift® part in question can be returned, you must first purchase the replacement part. Then, if the part in question is deemed warrantable, you will be credited / refunded.

Other Limitations - Exclusion of Damages - Your Rights Under State Law

- Neither Superlift® nor your independent Superlift® dealer are responsible for any time loss, rental costs, or for any incidental, consequential or other damages you may have.
- This Limited Warranty gives you specific rights. You may also have other rights that vary from state to state. For example, while all implied warranties are disclaimed herein, any implied warranty required by law is limited to the terms of our Limited Lifetime Warranty as described above. Some states do not allow limitations of how long an implied warranty lasts and / or do not allow the exclusion or limitation of incidental or consequential damages, so the limitations and exclusions herein may not apply to you.

Important Product Use and Safety Information / Warnings

As a general rule, the taller a vehicle is, the easier it will roll over. Offset, as much as possible, what is lost in rollover resistance by increasing tire track width. In other words, go “wide” as you go “tall”. Many sportsmen remove their mud tires after hunting season and install ones more appropriate for street driving; always use as wide a tire and wheel combination as feasible to enhance vehicle stability. We strongly recommend, because of rollover possibility, that the vehicle be equipped with a

functional roll bar and cage system. Seat belts and shoulder harnesses should be worn at all times. Avoid situations where a side rollover may occur.

Generally, braking performance and capabilities are decreased when significantly larger / heavier tires and wheels are used. Take this into consideration while driving. Also, changing axle gear ratios or using tires that are taller or shorter than factory height will cause an erroneous speedometer reading. On vehicles equipped with an electronic speedometer, the speed signal impacts other important functions as well. Speedometer recalibration for both mechanical and electronic types is highly recommended.

Do not add, alter, or fabricate any factory or aftermarket parts to increase vehicle height over the intended height of the Superlift® product purchased. Mixing component brands is not recommended.

SUPERLIFT SUSPENSION

300 Huey Lenard Loop Rd.
West Monroe, Louisiana 71292
Phone: (318) 397-3000
Sales / Tech: (800) 551-4955
Fax: (318) 397-3040
www.superlift.com