



**Before returning this product  
to the store of purchase**

**Contact Dee Zee if you experience the following problems:**

- Missing Parts
- Installation Problems/Questions
- Warranty Questions

**1.800.779.2102**

Hours of operation: 8am - 5pm CST, Mon-Friday

Review complete warranty policy and register your product at:

**[www.deezee.com](http://www.deezee.com)**

# DB-2500 / DB-2502

## BRACKET KIT

### Installation Instructions

**Tools Required**

A Set of Locking Pliers  
 A Drill with a Set of Bits

A Tape Measure  
 A Set of Wrenches

**PARTS LIST:**

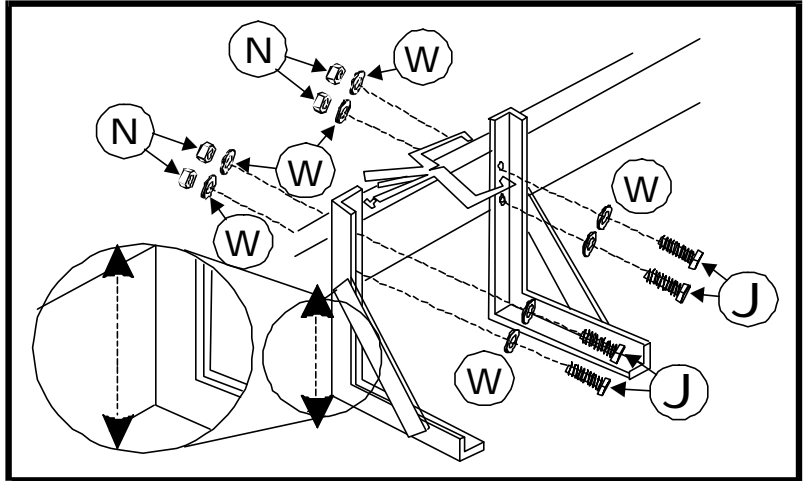
Mounting Brackets.....	2
Hardware Bag .....	1

**QTY**

**INSTRUCTIONS:** Please take time to read all instructions carefully before beginning this installation.

**STEP 1**

Position the underbed box in the desired location on the vehicle frame. Clamp the two mounting brackets to the vehicle frame. Check to be sure that the inside measurement between the mounting brackets is equal to the width of the underbed box. Be sure the braces are level and then drill two 3/8" holes through the mounting bracket and the vehicle frame. Refer to the note in Step 2. Secure each mounting bracket to the vehicle frame using two 3/8 x 1 1/4" hex head bolts (J), with two 3/8" flat washers (W) and a 3/8" hex nuts (N) per mounting bracket. Note: Refer to the drawing to the right for proper underbed box placement.



**STEP 2**

**NOTE:** Be sure the underbed box is pushed all the way to the back of the mounting brackets before drilling.

Once the holes are drilled through each of the mounting brackets and the vehicle frame, remove the mounting brackets from the vehicle frame. Position the mounting brackets to the underbed box. Note: Refer to the drawing to right. Use the pre-drilled holes in the mounting brackets as a guide to drill two 3/8" holes through the back of the underbed box. Mount the underbed box and mounting brackets to the vehicle frame using two 3/8 x 3/4" hex head bolts (J), two 3/8" flat washers (W) and 3/8" hex nuts (N). Note: Refer to the drawing to the right.

