



**Before returning this product
to the store of purchase**

Contact Dee Zee if you experience the following problems:

- Missing Parts
- Installation Problems/Questions
- Warranty Questions

1.800.779.2102

Hours of operation: 8am - 5pm CST, Mon-Friday

Review complete warranty policy and register your product at:

www.deezee.com/warranty.php

Congratulations on your purchase of a quality Dee Zee product. Dee Zee is recognized as having the highest quality running boards and accessories on the market today. We have earned this reputation by offering our customers a product they can be proud to place on their vehicles. Dee Zee meets all the criteria of manufacturing a custom-fit product which guarantees it to be the easiest product to install.

Instructions: Please take the time to read all of the installation instructions carefully before beginning this installation.

TWO YEAR WARRANTY FOR CHROME STEEL AND BLACK STEEL PRODUCTS

Dee Zee Manufacturing, Inc. guarantees the original purchaser of Dee Zee products a two year warranty against manufacturing defects in materials, workmanship, and finish under normal use. **Warranty does not include shipping damage, product misuse, improper installation, road hazards, impairments from accidents, product modifications or product neglect, and or scratches during the life of the product. This warranty does not include rust incurred / and or corrosion to the installation brackets over the life of the product.** This two year warranty applies only to new products and is limited to the repair or replacement of Dee Zee products. Warranty does not include costs of removal, installation, labor, inconvenience or consequential damages. Original purchaser must return defective merchandise, along with the purchase receipt, to the original place of purchase.

FINISH PROTECTION AND CLEANING INSTRUCTIONS

Dee Zee products have a high quality finish that must be cared for like any other exposed finish on the vehicle. Protect the finish with a non-abrasive automotive wax, (e.g. Pure Carnauba) on a regular basis. The use of any soap, polish, or wax that contains an abrasive is detrimental to the finish, as the compounds scratch the finish and open it to corrosion. The use of a black automotive type touch up paint is recommended to cover up any rock chips that would be incurred during everyday use to help in the prevention of corrosion.

LIFETIME WARRANTY FOR CHROME STAINLESS STEEL PRODUCTS

Dee Zee Manufacturing, Inc. guarantees the original purchaser of Dee Zee products a lifetime warranty against manufacturing defects, materials, workmanship, and finish under normal use. **Warranty does not include shipping damage, product misuse, improper installation, road hazards, impairments from accidents, product modifications or product neglect, and or scratches during the life of the product. This lifetime warranty does not include rust incurred / and or corrosion to the installation brackets over the life of the product.** This lifetime warranty applies only to new products and is limited to the repair or replacement of Dee Zee products. Warranty does not include costs of removal, installation, labor, inconvenience or consequential damages. Original purchaser must return defective merchandise, along with the purchase receipt, to the original place of purchase.

FINISH PROTECTION AND CLEANING INSTRUCTIONS

Dee Zee products have a high quality finish that must be cared for like any other exposed finish on the vehicle. Protect the finish with a non-abrasive automotive wax, (e.g. Pure Carnauba) on a regular basis. The use of any soap, polish, or wax that contains an abrasive is detrimental to the finish, as the compounds scratch the finish and cause corrosion.

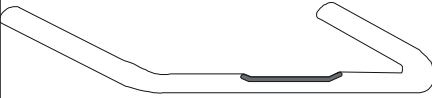

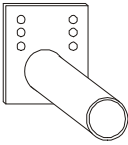
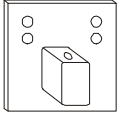

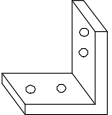
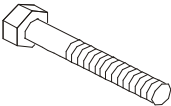
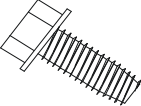



*If you should incur any problems with the installation of this product, please call us at
1-800-779-8222.*

*So that we may better serve you when you call, please have the Part Number, Bar Code
Number or Upc Code from the labels on the outside of the box.*

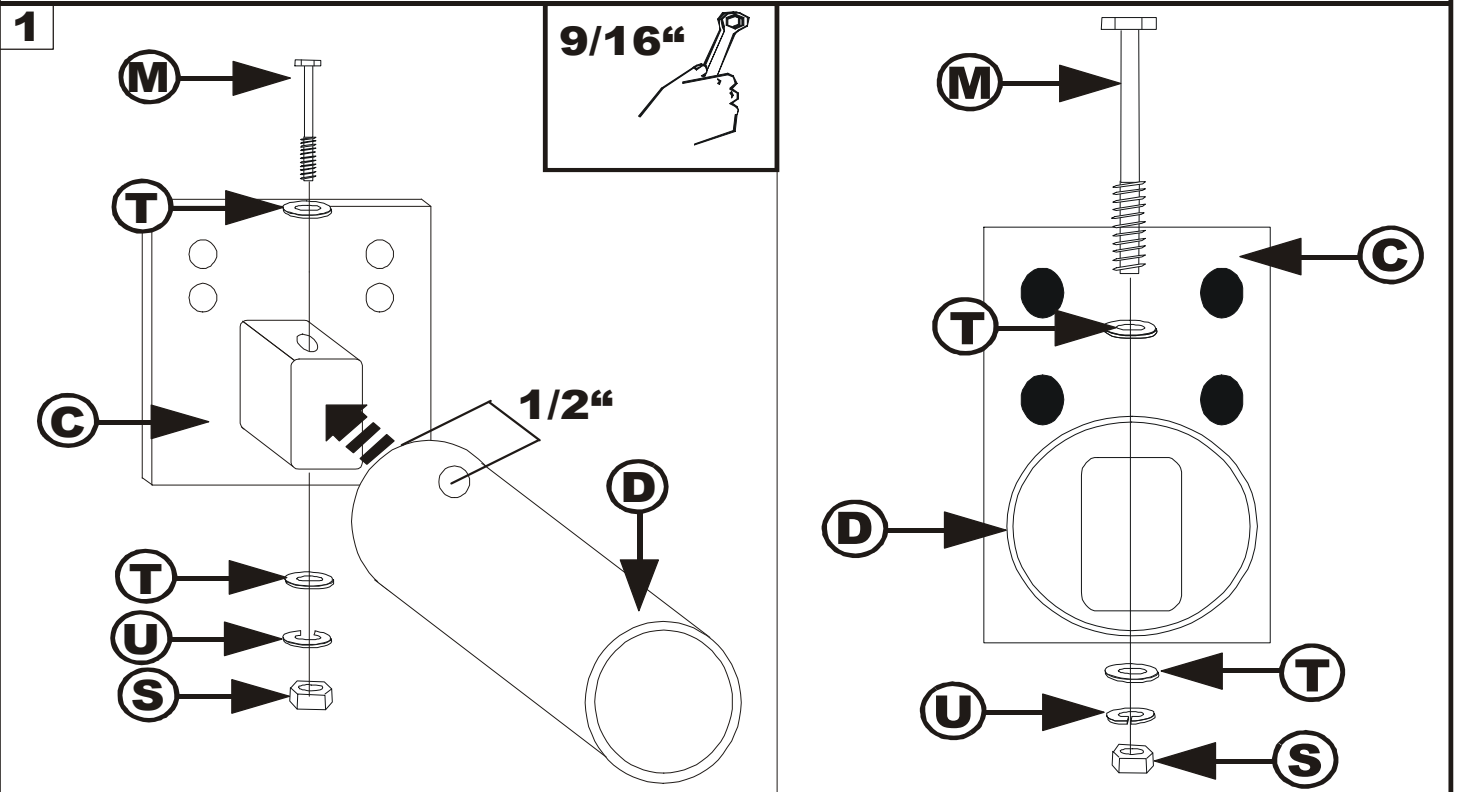
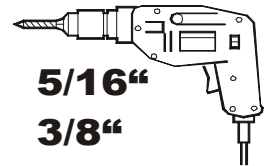
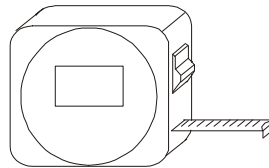
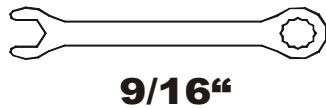
Dee Zee Universal Nerfstep Installation Instructions

DZ 3700291 / DZ 3700293 / DZ 3700301 / DZ 3700303

Regular Cab Pickups / Extended Cab Pickups

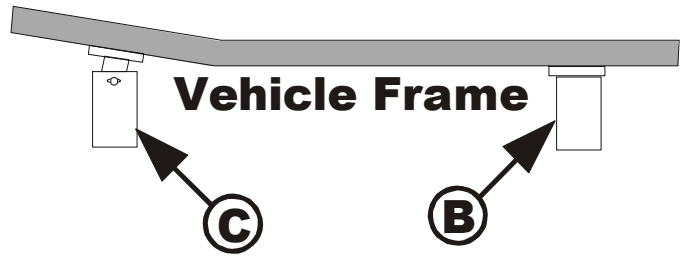
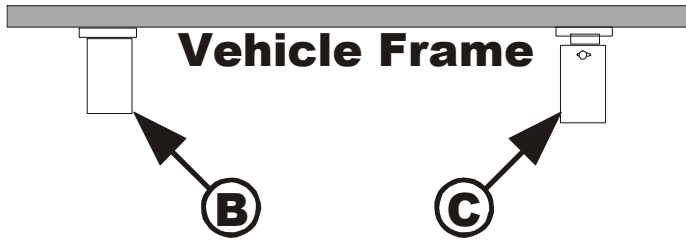
A Regular Cab Nerfstep  <p style="text-align: center;">X2</p>	A Extended Cab Nerfstep  <p style="text-align: center;">X2</p>	B Straight Mounting Bracket  <p style="text-align: center;">X2</p>	C Swivel Mounting Bracket  <p style="text-align: center;">X2</p>	
D Swivel Extension Bracket  <p style="text-align: center;">X2</p>	E Support Bracket  <p style="text-align: center;">X4</p>	M 3/8 x 3.5" Hex Head Bolt  <p style="text-align: center;">X6</p>	N 3/8" x 1" Self Tapping Screw  <p style="text-align: center;">X36</p>	S 3/8" Hex Nut  <p style="text-align: center;">X6</p>
T 3/8" Flat Washer  <p style="text-align: center;">X12</p>	U 3/8" Lock Washer  <p style="text-align: center;">X2</p>			

Tools Required:

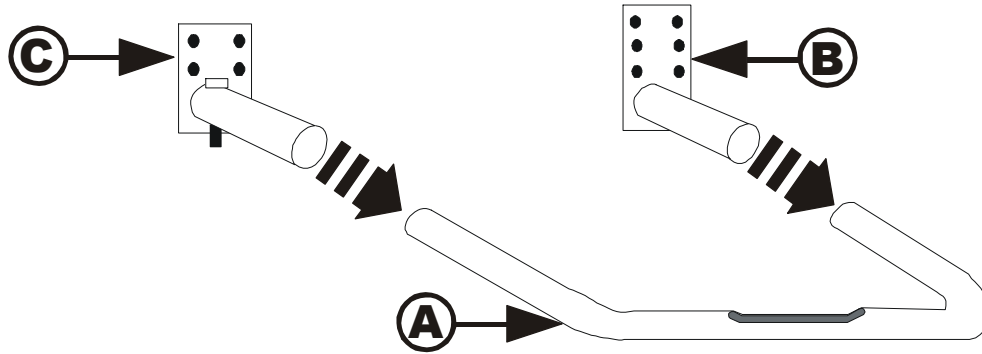


2

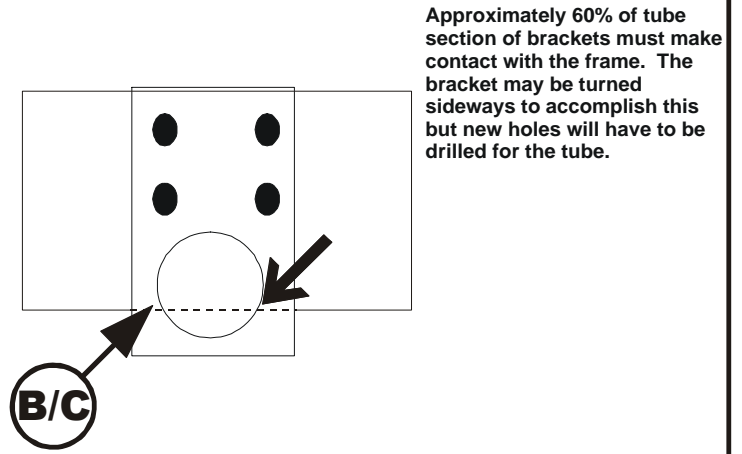
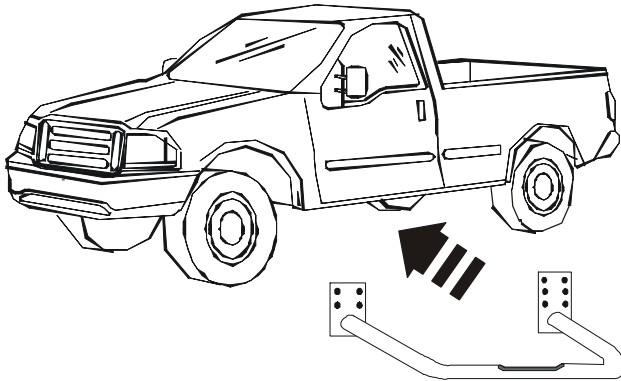
Some examples of how the brackets may fit to the frame.



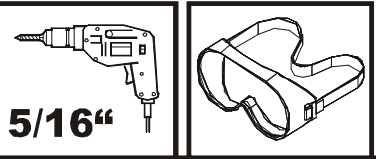
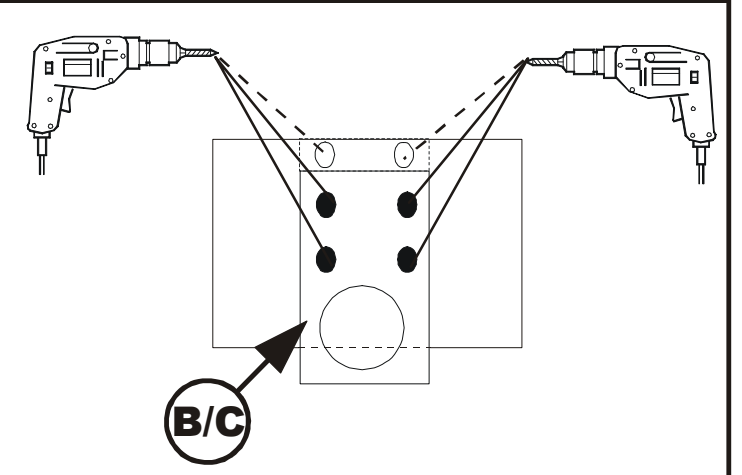
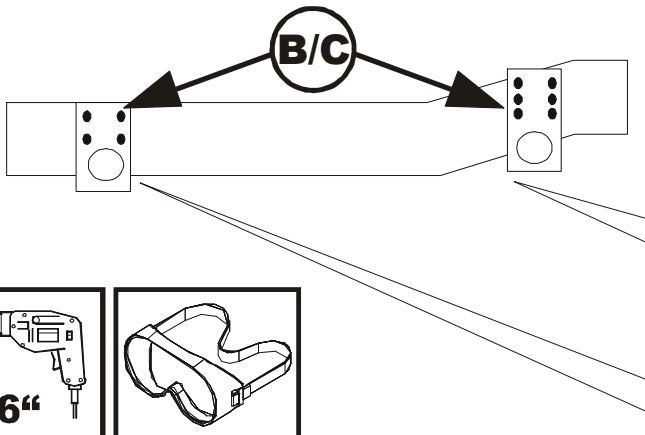
3



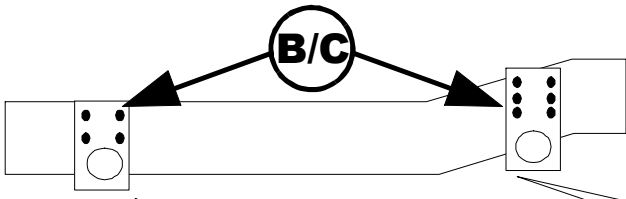
4



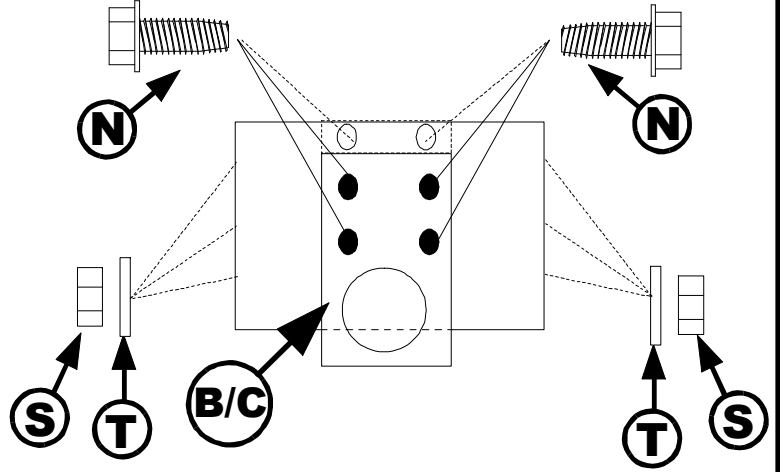
5



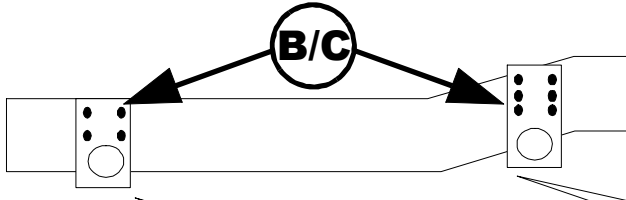
6



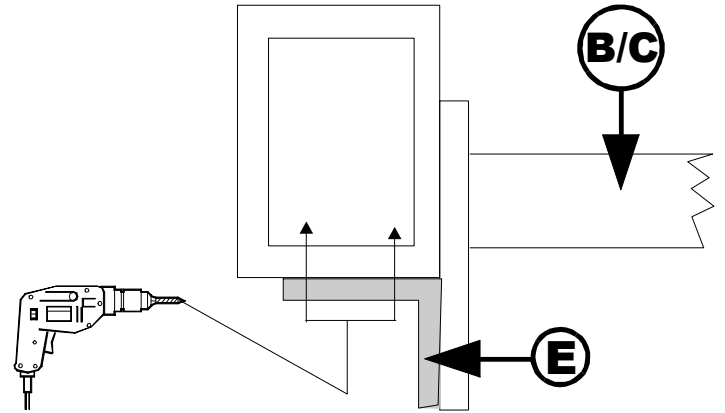
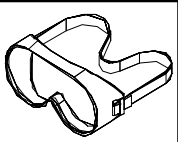
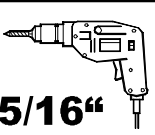
9/16"



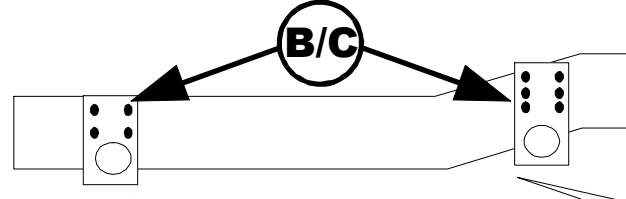
7



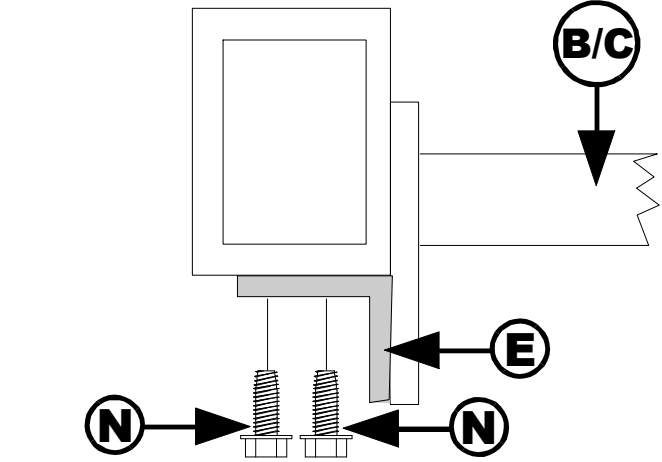
5/16"



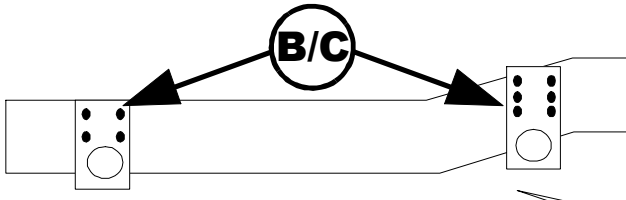
8



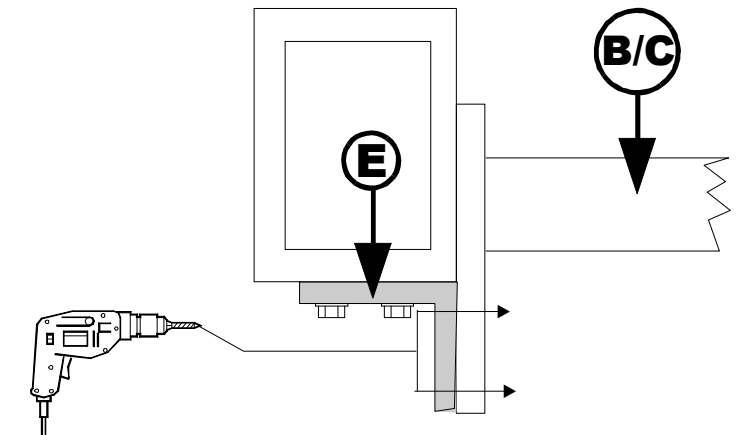
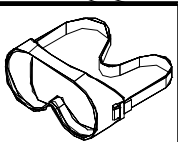
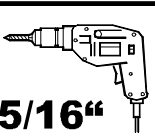
9/16"



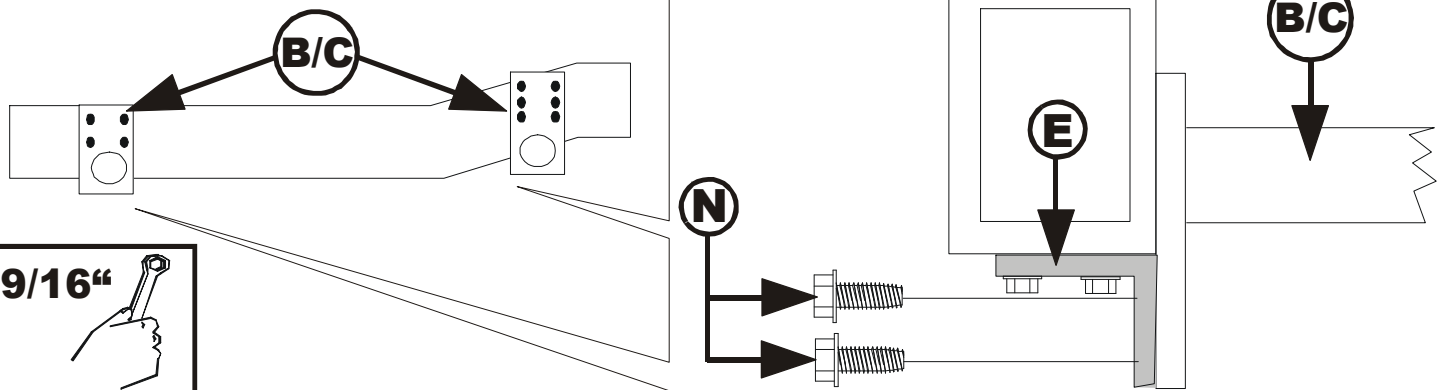
9



5/16"



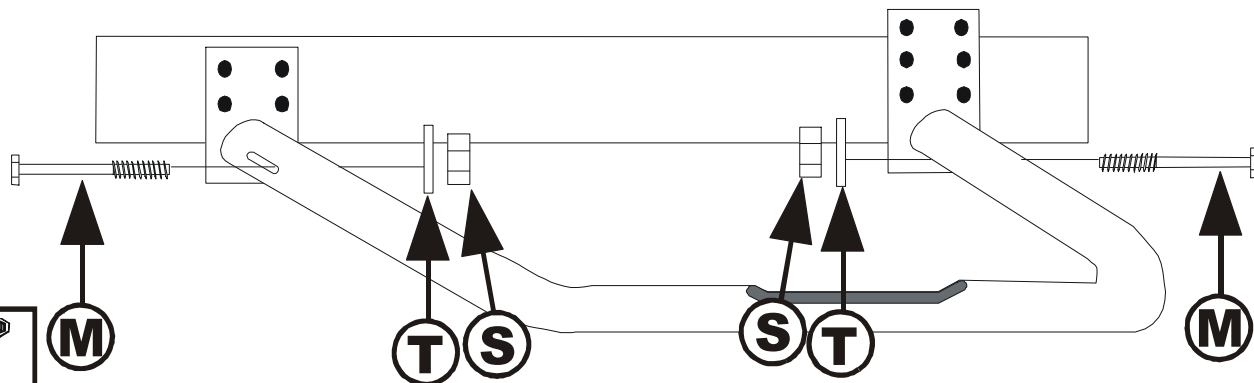
10



9/16"



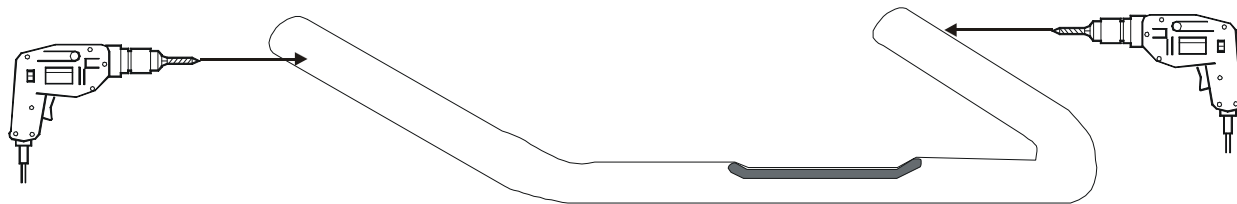
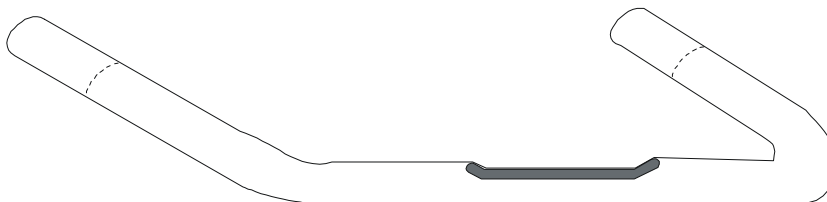
11



9/16"



NOTE: Some tubes may need to be cut to obtain the correct depth for the vehicle. After trimming to the appropriate length, drill 3/8" holes in ends to mount to brackets. Install as normal.



3/8"

