



baja designs[®]
THE SCIENTISTS OF LIGHTING

2024+ Can Am Maverick R Triple S1 Headlight Kit Instructions

44-8186, 44-8204



2950 Norman Strasse San Marcos, CA 92069

Phone 760-560-2252 • Fax 760-560-0383

info@bajadesigns.com • www.bajadesigns.com



baja designs[®]
THE SCIENTISTS OF LIGHTING

LIMITED LIFETIME WARRANTY

Baja Designs proudly offers a LIFETIME WARRANTY against manufacturer's defect on all the products that we manufacture.

These are comprehensive warranties; other than the exclusions below – you're covered. If your LED or HID bulb burns out, you're covered. Additionally, cutting off our connector or changing your lenses does not automatically void your warranty.

Exclusions:

Installation errors, abuse, misuse, or crash damage. You must be the original owner of the product and can supply proof of purchase.

Baja Designs manufactures its own products as well as resells products manufactured by others. Baja Designs makes no express or implied warranties on products not manufactured by Baja Designs including without limitation any warranties or merchantability and fitness for a purpose. We will, however, pass on all warranties made by the manufacturer, who has sole responsibility for performing such warranties.

Baja Designs will pay the freight if your product is less than 90 days old, otherwise defective products must be returned to Baja Designs, Inc., freight prepaid. At our option, we will repair or replace items in question and return them at no charge. If the identical product is no longer available, we will replace it with a similar product of equal value. Baja Designs Inc. will not be responsible for any indirect or consequential damages in connection with defective merchandise.

Items purchased through a Baja Designs authorized dealer must be returned through the dealer. Only available on LED auxiliary lights and product must be in sellable condition at MSRP. Product that has been damaged in any way after the original purchase date will be excluded from this guarantee.

Indemnification:

Buyer hereby acknowledges off-roading, racing and driving at night are dangerous activities and that the products and/or supplies purchased from Baja Designs are used in an inherently dangerous activity that may endanger life and limb; and in no event shall the seller, or seller's heirs and assigns, be held liable for consequential damages, nor shall seller's liability on any claim for damages arising out of or connected with the sale, delivery, or use of purchased products and/or supplies exceed the purchase price of the products and/or supplies.

Buyer is responsible for ensuring that it uses the products (and its vehicle) in accordance with all applicable laws, regulations, guidelines, and standards of care. Buyer acknowledges that some products may only be used when off-roading, and Buyer will comply with all vehicle and road safety guidelines. Buyer is solely responsible for (and will indemnify and hold Bestop harmless for) any claims, losses, damages, fines, fees, costs, or other amounts arising out of Buyer's non-compliance with these provisions.

****For a color copy of instructions, visit your vehicle specific application on BajaDesigns.com ****

Required Tools:

- 8mm wrench and socket
- 7/16" wrench and socket
- 9/16" wrenches (Qty: 2)
- T27 Torx driver
- 2.5mm, 3mm, and 4mm Allen Wrenches

Parts List:

 <p>(44-9415) (QTY: 1) Can-Am, Maverick R, S1 Headlight Fascia Bracket PS</p>	 <p>(44-9416) (QTY: 1) Can-Am, Maverick R, S1 Headlight Fascia Bracket DS</p>	 <p>(20-1050) (QTY: 2) Hardware, 1/4-20 x 3/4 Flat Head SS</p>
 <p>(44-9417) (QTY: 1) Can-Am, Maverick R, S1 Headlight Mounting Bracket PS</p>	 <p>(44-9418) (QTY: 1) Can-Am, Maverick R, S1 Headlight Mounting Bracket DS</p>	 <p>(20-3000) (QTY: 1) Mini Fuse, 15amp</p>
 <p>(60-0078) (QTY: 1) Adapter, Can-Am Maverick R, Triple S1 Headlight</p>	 <p>(65-0213) (QTY: 6) Parts Bag, S1 Single, For Kits</p>	 <p>(20-1251) (QTY: 2) Hardware, 1/4"-20 Thread Size, 3/4" Long Hex Head Screw</p>
 <p>(20-2320) (QTY: 2) Hardware, Aluminum Spacer 19mm OD x 10.2mm ID x 8mm Long</p>	 <p>(20-1282) (QTY: 6) Hardware, 1/4 Flat Washer SS</p>	 <p>(20-1286) (QTY: 4) Hardware, 1/4-20 Hex nyloc nut SS</p>



(20-1289) (QTY: 2)
Hardware, 3/8-16 x 7/8" Hex
Head Cap SS



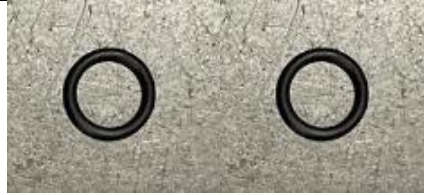
(20-1290) (QTY: 4)
Hardware, 3/8 ID - 5/8 OD flat
washer SS



(20-1024) (QTY: 2)
Hardware, 10mm Flat Washer



(20-1262) (QTY: 2)
Hardware, 3/8-16 Nylock Nut SS



(20-1689) (QTY: 2)
Hardware, #012 Buna O-ring



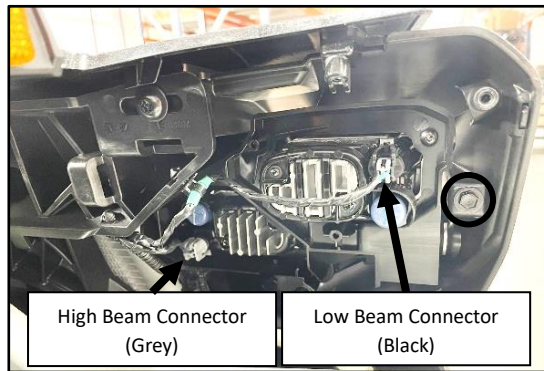
(20-1612) (QTY: 4)
Hardware, Zip Tie 50lb 8"

To begin, make sure the vehicle is in park, on level ground and the parking brake is engaged.

Step 1: With the 8mm socket, remove the three screws that mount the back panel behind the passenger side headlight.



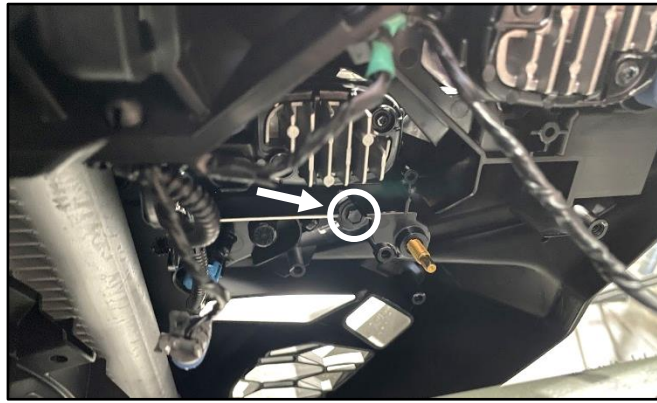
Step 2: Remove the two headlight connectors by carefully pulling up on each locking tab and pull out to remove. With the 8mm socket, remove the circled screw.



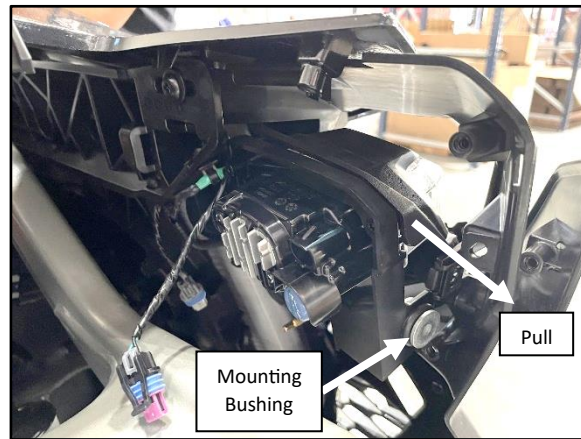
Step 3: Carefully pull the body panel from the outside edge of the passenger headlight to expose the outer headlight assembly mounting bolt (circled). Using the T27 Torx bit, remove the bolt. With the 8mm wrench, remove the inner OEM headlight mounting screw located near the radiator as shown.



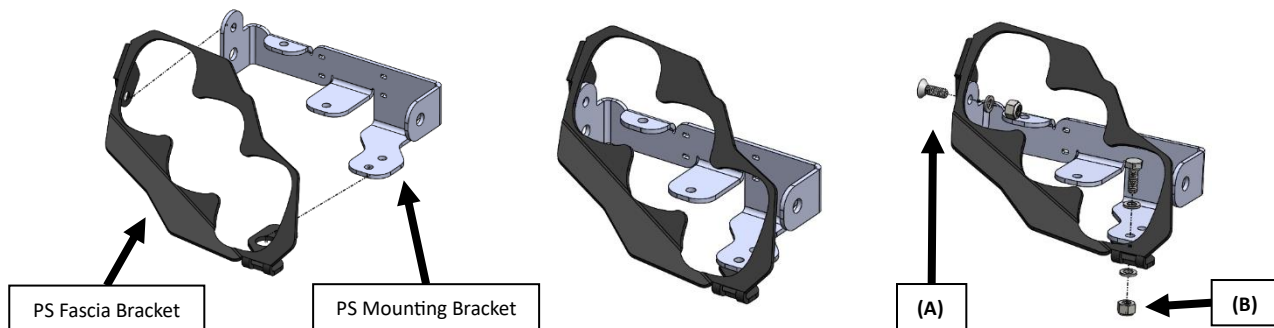
Step 4: With the 8mm socket, remove the OEM headlight adjuster mounting screw next to the gold bolt.



Step 5: Carefully pull the outer edge of the OEM headlight assembly back until the mounting bushing is exposed. Then pull the unit away from the center of the vehicle to remove. Pull the headlight opening bodywork forward as needed for clearance. Place aside and repeat steps 1-5 for the driver side headlight.

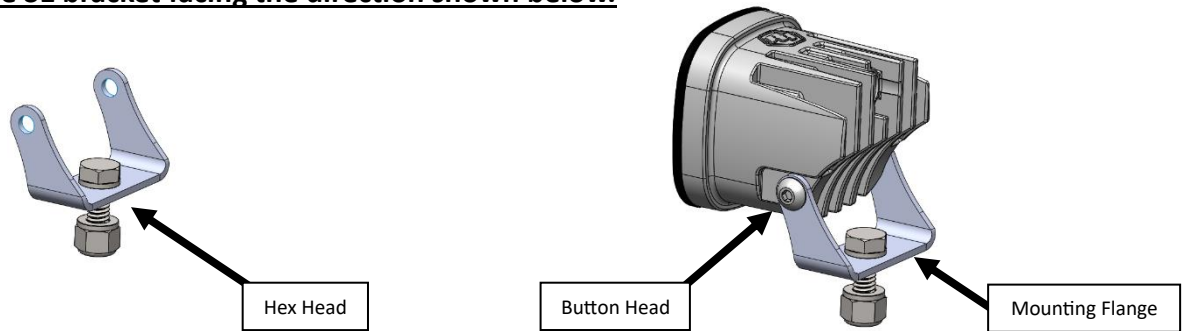


Step 6: Locate the Passenger side Baja Designs headlight mounting bracket and fascia bracket. With the 4mm Allen wrench and 7/16" socket, attach the brackets on the outside edge (A) using the flathead bolt, washer, and nut as shown. Don't tighten completely. Using the 7/16" socket and wrench, mount the brackets together on lower flange (B) using the hex head bolt, washers, and nut as shown. Now tighten both attachment points. Repeat for the Driver side headlight brackets.

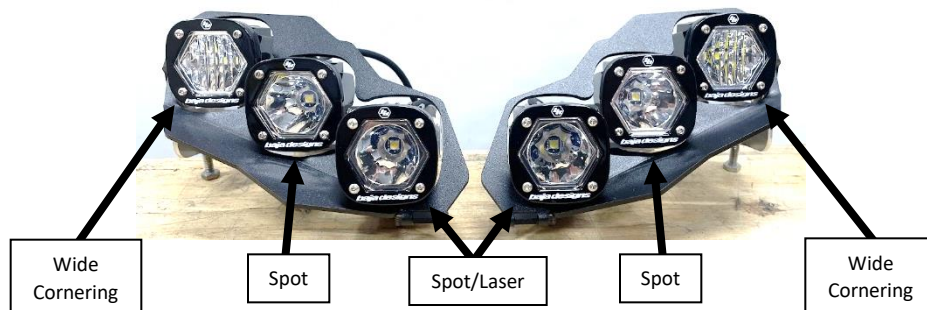


Step 7: Locate all six S1 lights, brackets, and standard parts bags. Temporarily hand thread together the hex head bolt through the S1 bracket with washers and nut as shown. With the 3mm Allen wrench and button head bolts, mount the S1 bracket to the light as shown. Make sure the bracket mounting flange is perpendicular (90 deg) to the front face of the light and tighten. Repeat for the five remaining lights.

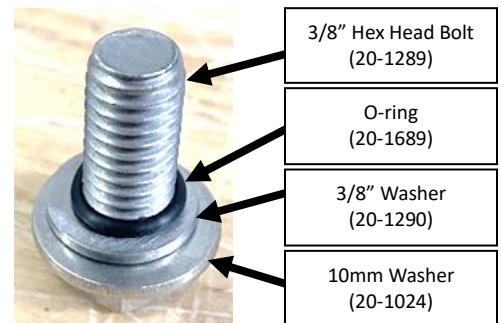
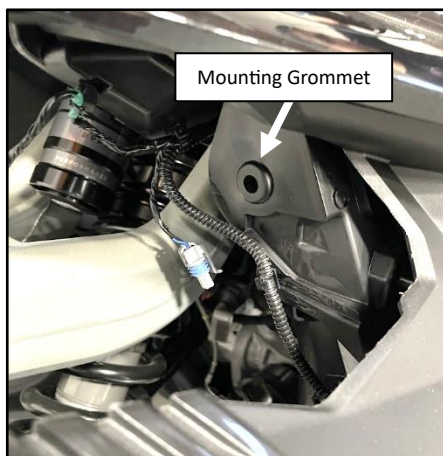
Note: Orient the S1 bracket facing the direction shown below.



Step 8: Using the 7/16" wrench and socket, mount each of the S1 light subassemblies into the headlight bracket assemblies as shown using the S1 bracket hardware. Tighten.



Step 9: In the Passenger side headlight opening, remove the inner headlight mounting grommet. Locate the large 3/8" hex head bolts, O-rings, 3/8" washers, and 10mm washers. Assemble the hardware in the configuration shown. Place into the inner headlight mount.



Step 10: Place the Passenger side headlight assembly over the 3/8" bolt from step 9 and hand thread on the provided nut with washer. Remove one of the flanged spacers from the OEM headlight and place it on the inside of the headlight mounting bracket as shown. Place the provided spacer over the flanged spacer as shown and place the headlight assembly into the outer mounting location. With the T27 Torx, replace the bolt from step 3.



OEM Flanged Spacer



Step 11: Align the headlight assembly fascia bracket with the OEM bodywork and tighten the outer T27 head mounting bolt from step 3. With two 9/16" wrenches, tighten the inner mounting location near the radiator.



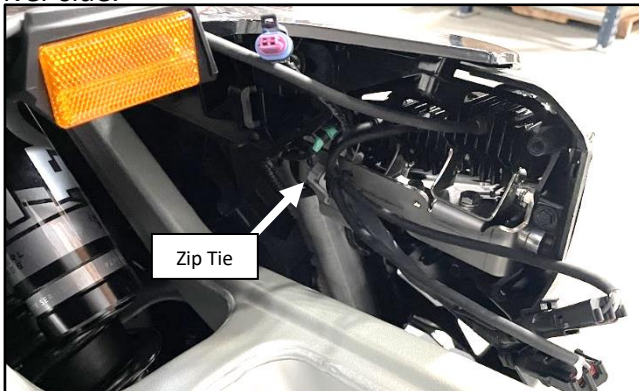
Low beam Single Adapter



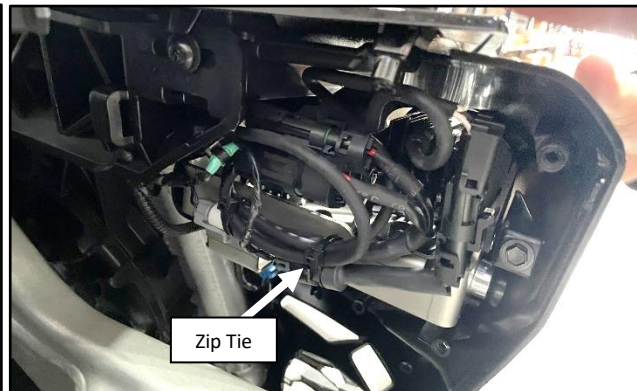
High beam Splitter Adapter



Step 12: With one of the splitter harness adapters, connect to the high beam OEM connector (Grey) on the Passenger side. Connect the two inner spot pattern lights to the splitter and use included zip tie to affix it to the headlight mounting bracket through the slots. With one of the single harness adapters, connect to the low beam OEM connector (Black). Plug it into the remaining light and attach it to the remaining slots in the mounting bracket with the included zip tie. Carefully tuck wires up into the space behind the lights. Replace the outer body panel from step 3 and bolt from step 2 using the 8mm socket. Repeat steps 9-12 for the driver side.

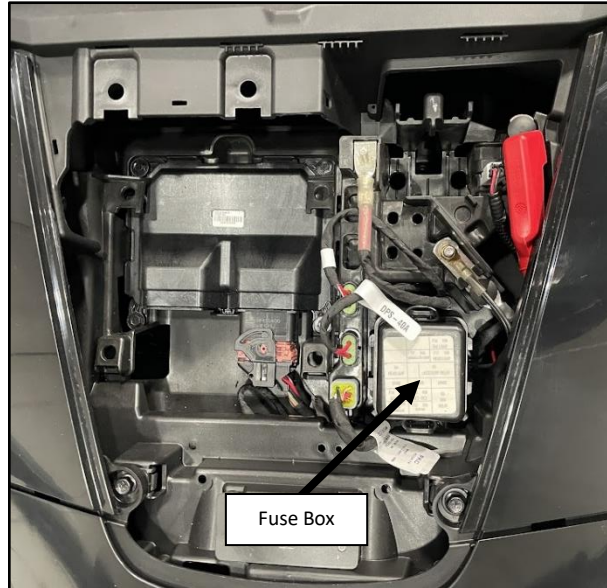


Zip Tie



Zip Tie

Step 13: Above the dash on the hood area of the vehicle, remove the fuse box cover by carefully lifting the latch and pulling up (Pg 152 Owner's manual). Place the cover aside. Locate the fuse box, remove rubber locking bands, and squeeze tabs to remove the small fuse box sealed cover. Remove and replace the 10A fuse in location F11 with the provided 15A fuse.



Step 14: Test the function of the headlamps and modulate the OEM high low switch. With the 8mm socket, replace the headlight back panels from step 1 for both sides of the vehicle.

*Tie all wires away from sharp, hot, and/or rotating components.

* Re-torque all the fasteners after 100 miles.

*Your install is now complete! Thank you for choosing Baja Designs.