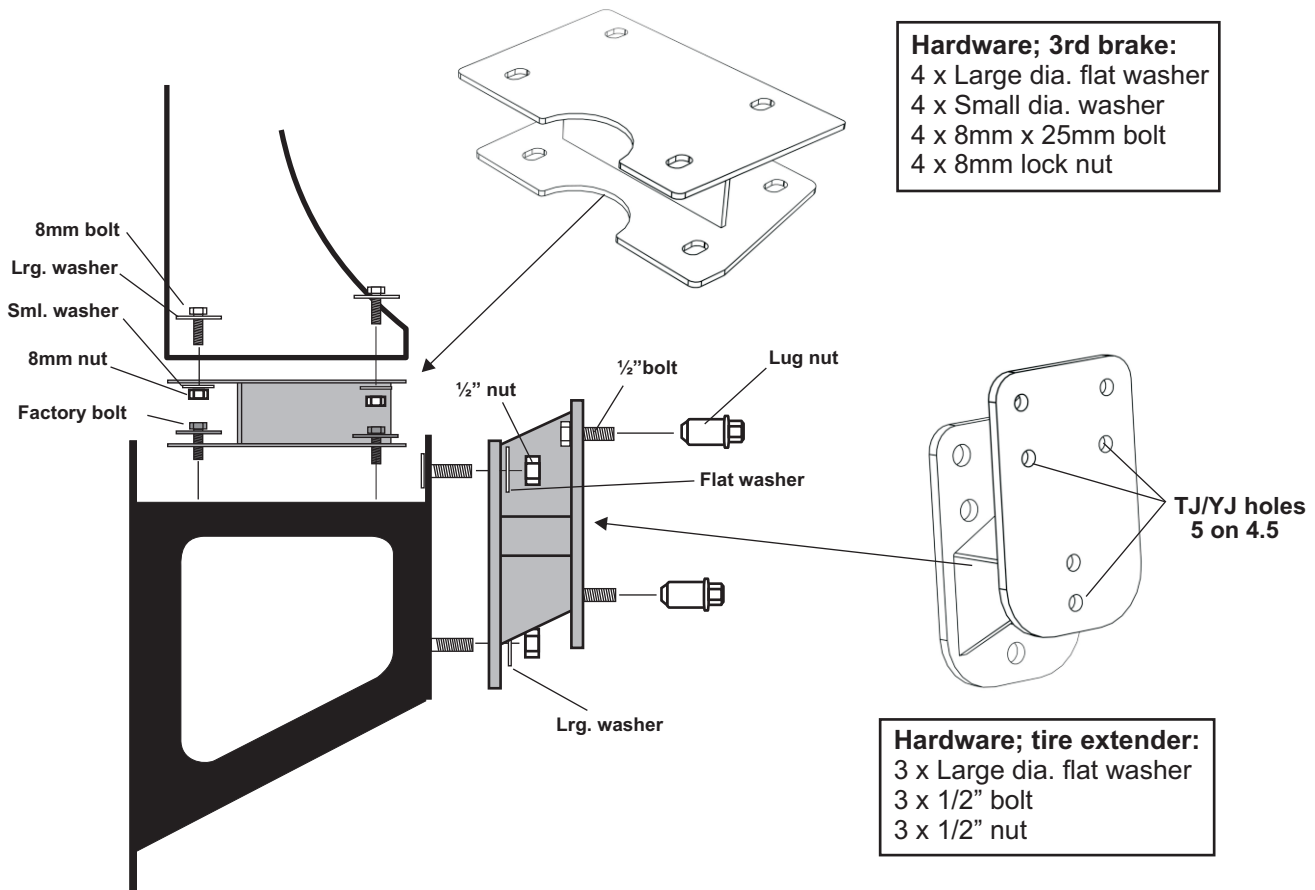




## Spare Tire Extender Kit



**Note:** This product is not recommended for tires over 33"

**Caution:** Do not exceed factory recommendations for load on the Tailgate.

### 3rd Brake light extension installation:

- 1) Remove spare tire from factory mount.
- 2) Remove 3rd brake light from top of spare tire mount. Unhook the wires from the light assembly to allow extra wire length.
- 3) Install extension between tire mount and brake housing. Note direction of installation where half circle allows clearance for wire.
- 4) Use included hardware to secure as shown in above illustration.

### Spare Tire extension installation:

- 1) Remove spare tire from factory mount.
- 2) Install the included bolts through the holes in the outer steel plate as shown above.
- 3) install extension onto the factory lug bolts on the spare tire carrier using the nuts and washers included.
- 4) Re-install spare onto extension and secure using the factory lug nuts.

NOTE: 3rd Brake Light bracket is only use on 1997-2006 Jeep TJ Wranglers.