



INSTALLATION INSTRUCTIONS

Product: Bar Pin Adapters

Part Number: JKS9606

517-278-1226 • tech@jksmfg.com • www.jksmfg.com
491 W. Garfield Avenue, Coldwater, MI 49036

Welcome

CONGRATULATIONS on purchasing new Bar Pin Adapters from JKS Manufacturing. We are committed to providing you with the best products available and your satisfaction is our first priority.

PLEASE READ these Installation Instructions carefully, and save them for future reference, as they contain important installation and maintenance information.

Important

COMPATIBLE WITH Racing Shocks using 1/2" ID spherical bearings.

INSTALLATION OF BAR PIN ADAPTERS effectively reduces the static length of shock absorber by 0.40".

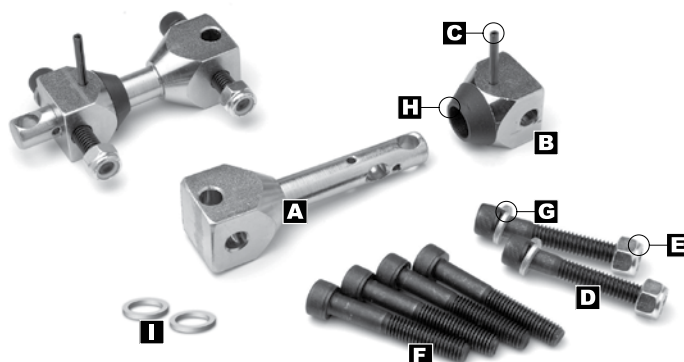
REAR APPLICATIONS REQUIRE heim spacers which are included with most racing shocks – not available from JKS.

Tools Required

- Metric/Standard Socket Wrench Set
- Torque Wrench
- 6mm or 1/4" Allen Head Socket with Long Extension
- Bench Vice or C-Clamp
- Hammer
- Sanding or Grinding Wheel *
- Factory Service Manual (recommended)

* Asterisk denotes tools that are not required for some applications. Thoroughly read instructions first to determine which tools will be required for your application.

Parts



	Description	Part #	QTY
A	Cross Pin / Block Combo	03078	2
B	Mounting Block	03079	2
C	1/8" Roll Pin	64083	2
D	5/16" x 2" Cap Bolt	23261	4
E	5/16" Nylock Nut	37021	4
F	M8 x 50mm Cap Bolt	39593	4
G	Split Washer	03080	4
H	Composite Cone	03081	2



ATTENTION INSTALLER

Read instructions first to determine which hardware is required for your application.

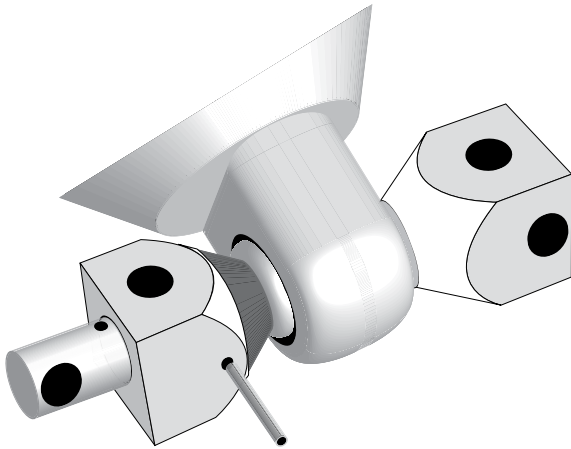
Front Installation

HARDWARE REQUIRED:

- ☞ 5/16" x 2" Cap Bolts (Qty. 4)
- ☞ 5/16" Nylock Nuts (Qty. 4)
- ☞ 1/8" Spacers (Qty. 2)

❑ 1. MOUNT BAR PIN ADAPTER TO SHOCK ABSORBER

- Slide a 1/8" Spacer (I) onto Cross Pin (A). **HINT:** Do not use 1/8" Spacers if installing shocks with 5/8" wide bearings, such as Bilstein.
- Insert Cross Pin (A) through spherical bearing of shock absorber.
- Slide remaining Mounting Block (B) onto opposite end of Cross Pin (A). Make sure bolt and roll pin holes are correctly positioned.



- Squeeze Mounting Blocks together to slightly compress Composite Cone (H) until bolt and roll pin holes align. **HINT:** A bench vice or C-clamp is useful for compressing cone. Do NOT compress any more than necessary to align holes.
- Tap the 1/8" Roll Pin (C) through Mounting Block (B) and corresponding hole in Cross Pin (A).

❑ 2. MOUNT SHOCK TO VEHICLE

- Clean any dirt or debris from the lower shock mounting surface on axle bracket. **HINT:** A sanding or grinding wheel is useful for removing any stubborn material.
- Position Bar Pin Adapter on mounting surface and insert 5/16" x 2" Cap Bolts (D) through blocks and original shock mounting holes. **HINT:** Mounting Blocks must lay completely flat against mounting surface.
- Secure Bar Pin Adapter to axle bracket with 5/16" Nylock Nuts (E).
- Using a torque wrench, tighten mounting hardware to 35-45 ft-lbs.

Rear Installation

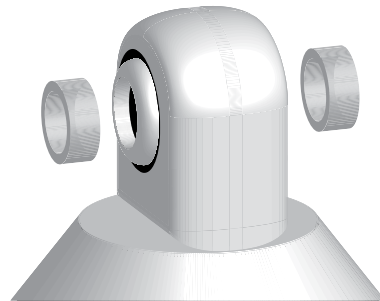
HARDWARE REQUIRED:

- M8 x 50mm or 5/16" x 2" Cap Bolts (Qty. 4)
- Split Washers (Qty. 4)
- 1/8" Spacers (Qty. 2)
- 1/2" ID Heim Spacers (Qty. 4)

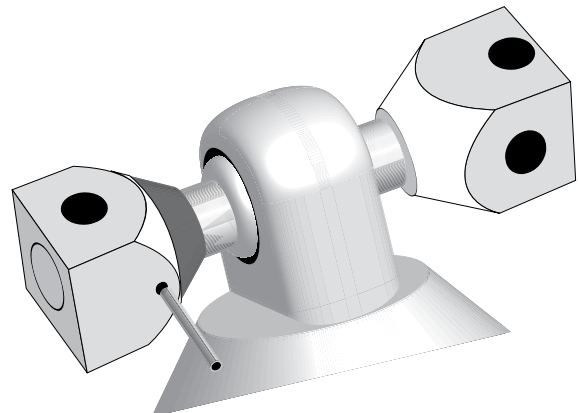
IMPORTANT: Depending on vehicle, rear shocks mount to chassis with either metric or standard bolts. Determine whether supplied M8 x 50mm or 5/16" x 2" Cap Bolts thread easily into original mounting holes. Discard remaining bolts.

❑ 1. MOUNT BAR PIN ADAPTER TO SHOCK ABSORBER

- Slide a 1/8" Spacer (I) onto Cross Pin (A). **HINT:** Do not use 1/8" Spacers if installing shocks with 5/8" wide bearings, such as Bilstein.
- Locate heim spacers provided with racing shock absorbers. **HINT:** If spacers were not provided with shocks, contact the manufacturer for ordering instructions. Spacers are not available from JKS.
- Place a heim spacer on each side of shock absorber's spherical bearing as illustrated.



- Insert Cross Pin (A) through heim spacers and spherical bearing.
- Slide remaining Mounting Block (B) onto opposite end of Cross Pin (A), making sure bolt and roll pin holes are correctly positioned.



- Squeeze Mounting Blocks together to slightly compress Composite Cone (H) until bolt and roll pin holes align. **HINT:** *A bench vice or C-clamp is useful for compressing cone. Do NOT compress any more than necessary to align holes.*
- Tap the 1/8" Roll Pin (C) through Mounting Block (B) and corresponding hole in Cross Pin (A).

□ 2. MOUNT SHOCK TO VEHICLE

- Clean any dirt or debris from the upper shock mounting surface on chassis. **HINT:** *A sanding or grinding wheel is useful for removing any stubborn material.*
- Place a Split Washer (G) on each of the appropriate Cap Bolts.
- Position Bar Pin Adapter on mounting surface of chassis. Insert appropriate Cap Bolts through blocks and original shock mounting holes. **HINT:** *Mounting Blocks must lay completely flat against mounting surface.*
- Using a torque wrench, tighten mounting bolts to 35-45 ft-lbs.

©2013 JKS Manufacturing, Inc & Aftermarketing, LLC
Revision Date 10/31/2013