

# FITTING INSTRUCTIONS

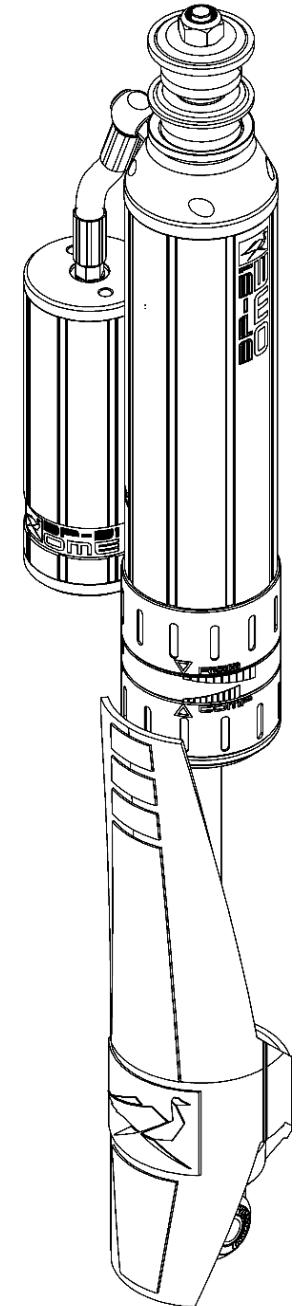
**BP5160011L/R**

**TOYOTA TACOMA REAR**

## WARNING

- ◆ This product must be installed exactly as per these instructions using only the hardware supplied.
- ◆ In the event of damage to any suspension component, contact you're nearest authorised ARB stockist. Repairs or modifications to the suspension system components must not be attempted.
- ◆ Do not use this product for any vehicle make or model, other than those specified by ARB.
- ◆ Do not remove labels from suspension components.
- ◆ This product or its fixing must not be modified in any way.
- ◆ The installation of this product may require the use of specialized tools and/or techniques
- ◆ It is recommended that this product is only installed by trained personnel
- ◆ These instructions are correct as at the publication date. ARB Corporation Ltd. cannot be held responsible for the impact of any changes subsequently made by the vehicle manufacturer
- ◆ During installation, it is the duty of the installer to check correct operation/clearances of all components
- ◆ Work safely at all times

**Note:** These fitting instructions should be read in conjunction with the vehicle workshop manual.



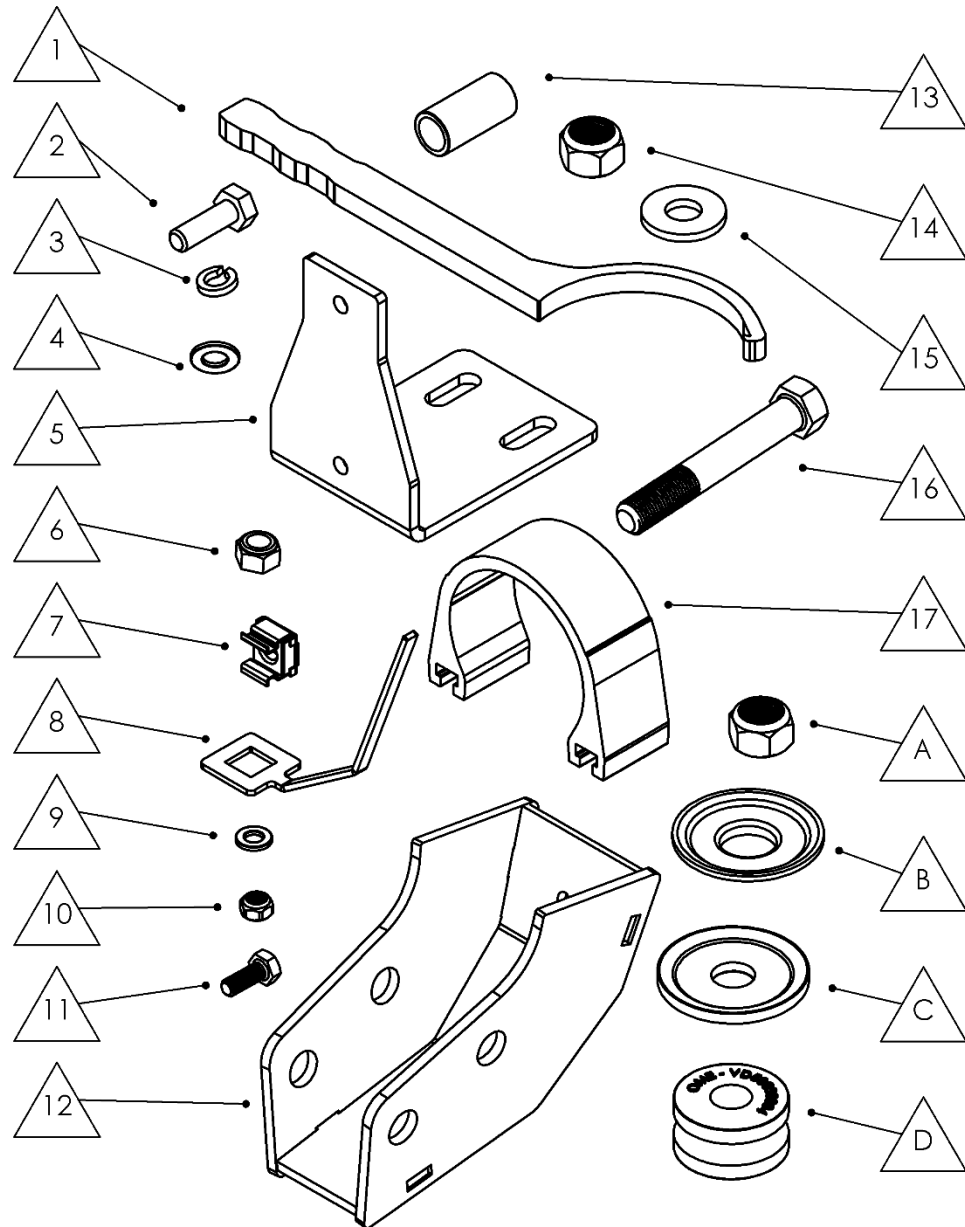
**FITTING KIT CONTENTS – VM80010017**

Item	Description	Qty	Spare Part No.
1	TOOL: ADJUSTER TOOL – ASSY	1	VC10010071SP
2	BOLT M8 X 1.25 X 25	4	6151546SP
3	WASHER SPRING M8	2	4584325SP
4	WASHER FLAT M8	6	VE70020004SP
5	RESI MOUNT TACOMA REAR	2	VE10020017SP
6	NUT NYLOC M8	2	6151547SP
7	NUT M8 CAGED 1.8-3.2MM	2	6151303SP
8	BRKT CAGE NUT M8 TACOMA	2	VE10040007SP
9	M6 WASHER FLAT BLACK	4	VE70020005SP
10	M6 NYLOC NUT	4	VD60010003SP
11	M6 x 1.0 X 16 BOLT	4	VD60030003SP
12	MOUNT: TACOMA REAR LOWER	2	VF60050007SP
13	SLEEVE 12 x 16 x 32	2	VF50121632SP
14	NUT M12 NYLOCK	4	VD60010002SP
15	WASHER: ID12 OD28 T3	8	VE70020007SP
16	BOLT M12 x 1.25 x 70	4	VD60030007SP
17	MOUNT: RESERVOIR CLAMP	2	VE10010003SP

**PIN MOUNT BUSH KIT CONTENTS – VM50010005SP**

(Supplied fitted to BP-51 damper)

Item	Description	Qty	Part No.
A	M12 x 1.25 NYLOC NUT	1	VD60010002
B	WASHER LOCATING 195002	1	VF60020005
C	WASHER RETAINING 195004	2	VF60020006
D	BUSH NR 143820	2	VD50030004

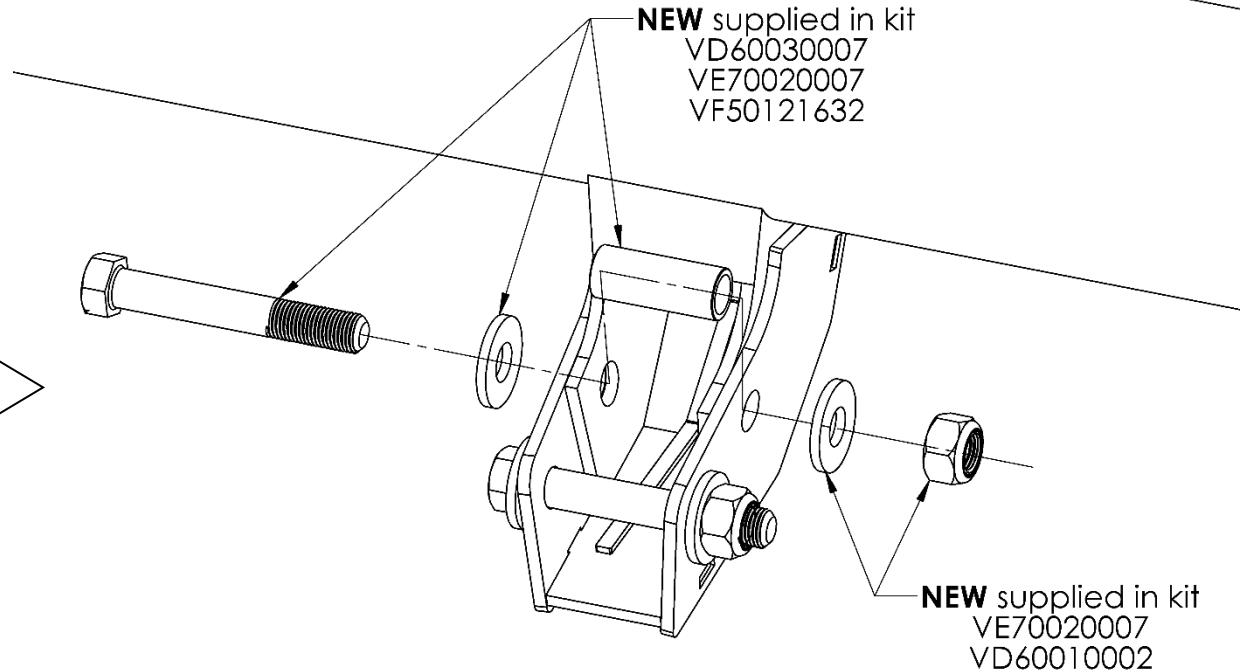
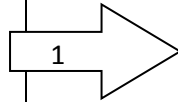


## FITTING LOWER MOUNTS

Remove existing Rear Shock absorbers and fit new lower shock mount as described.

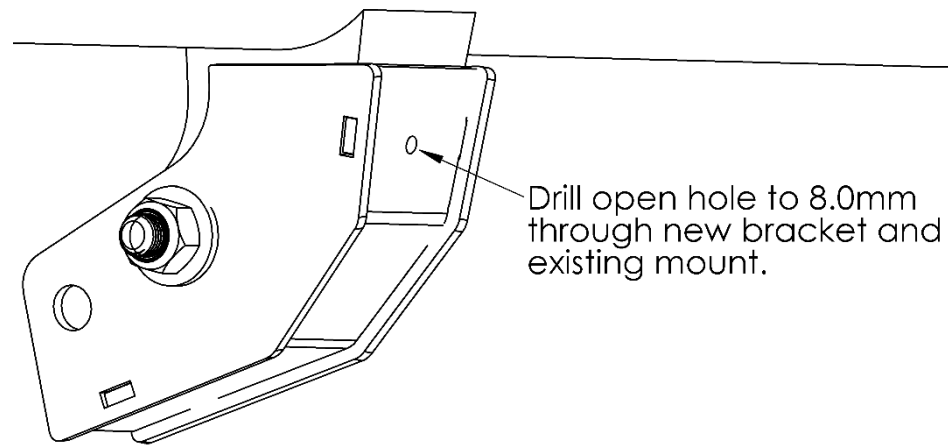
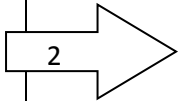
### Step 1

Mount new bracket VF60050007 to original lower shock mount using M12 x 70mm bolt, Sleeve as crush tube, M12 washer and nut as shown in diagram, loosely fasten.



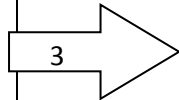
### Step 2

In the new VF60050007 lower shock mount bracket, find pilot hole and drill through new bracket and original shock mount using 8.0mm – 9.0mm drill.

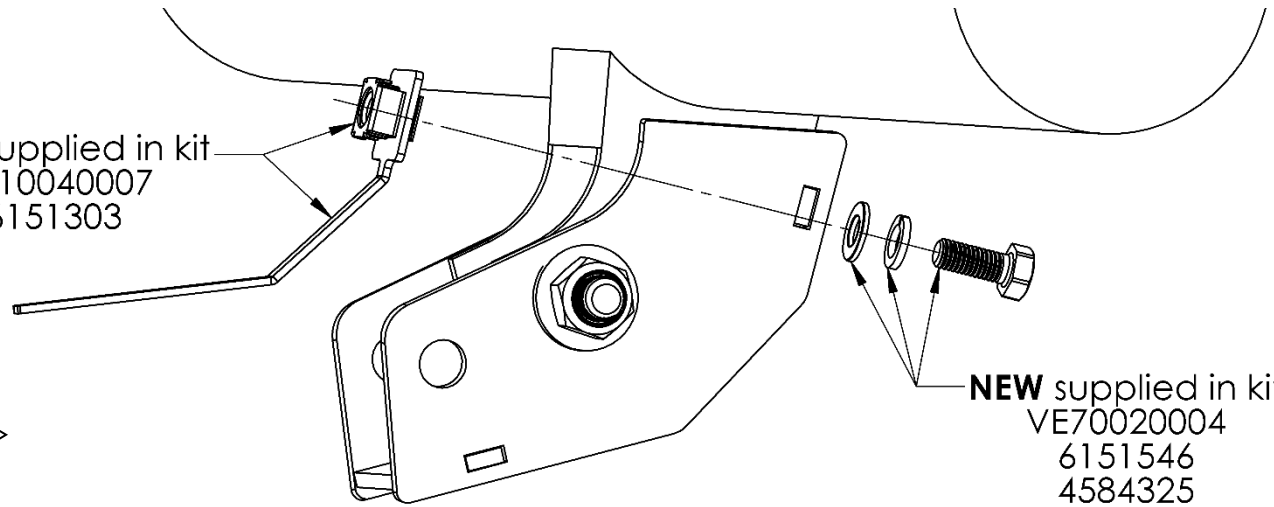


**Step 3**

Assemble VE40010007 and 6151303 together,  
Feed and insert the nut assembly at the front of the bracket,  
Using the hole drill in step 2, feed M8 x 25mm bolt with spring/flat washer through brackets and fasten together,  
**Torque to 25Nm (18 lbf.ft).**



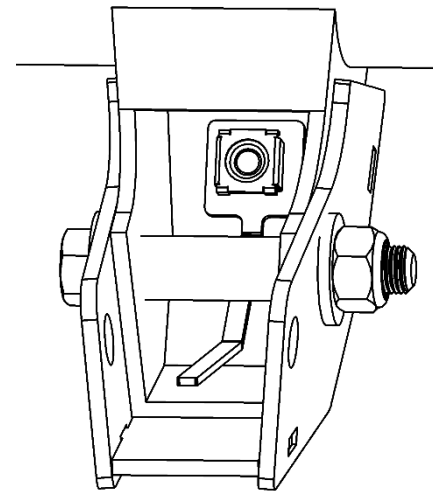
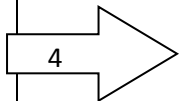
**NEW** supplied in kit  
VE10040007  
6151303



**NEW** supplied in kit  
VE70020004  
6151546  
4584325

**Step 4**

Tighten M12 fastener.  
**Torque to 108 Nm (80 ft.lbf).**



**Step 5** – Repeat steps 1 through to 4 for opposite side.

## SECURING SHAFT GUARDS (RIGHT SHOWN)

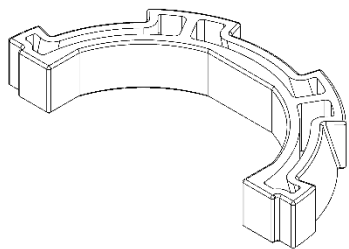
Its easiest to secure the shaft guards before the dampers are fitted to the vehicle.

The shaft guards are designed to protect the shaft from front tire roost. Fit the longer guard, that protects the eyelet, to the right (passenger side) damper that mounts to the front of the axle. Fit the shorter guard to the driver's side damper that mounts behind the axle.

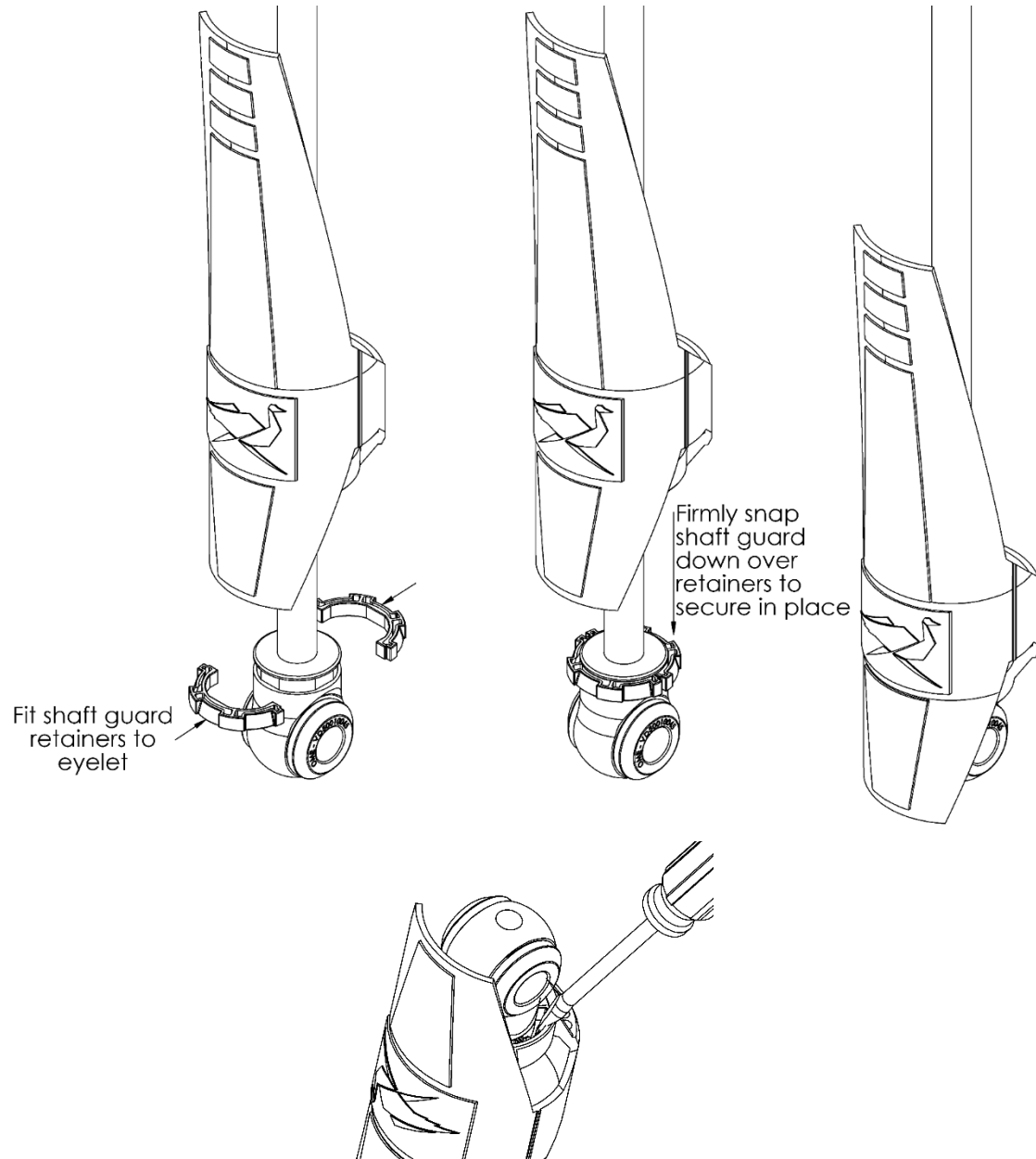
Fit the two retainers to the eyelet as shown right.

There are features on the shaft guard that locate in the gap between the two retainers. Align the guard with these gaps and firmly pull down over the retainers to secure in place.

Check the retainers are completely secured by the guard. Use a flat blade screwdriver to poke the retainers under the tabs on the guard if required.



Retainer spare part number  
VD3100003SP



## DAMPER PREPARATION and MOUNTING

The right shock is mounted in front of the axle and the left is mounted behind the axle. On the left (driver's side) where the damper mounts behind the axle, ensure the guard is on the front side of the damper to protect the shaft from front tire roost.

The BP-51 needs to be fitted with the suspension in droop.

### Top Mount

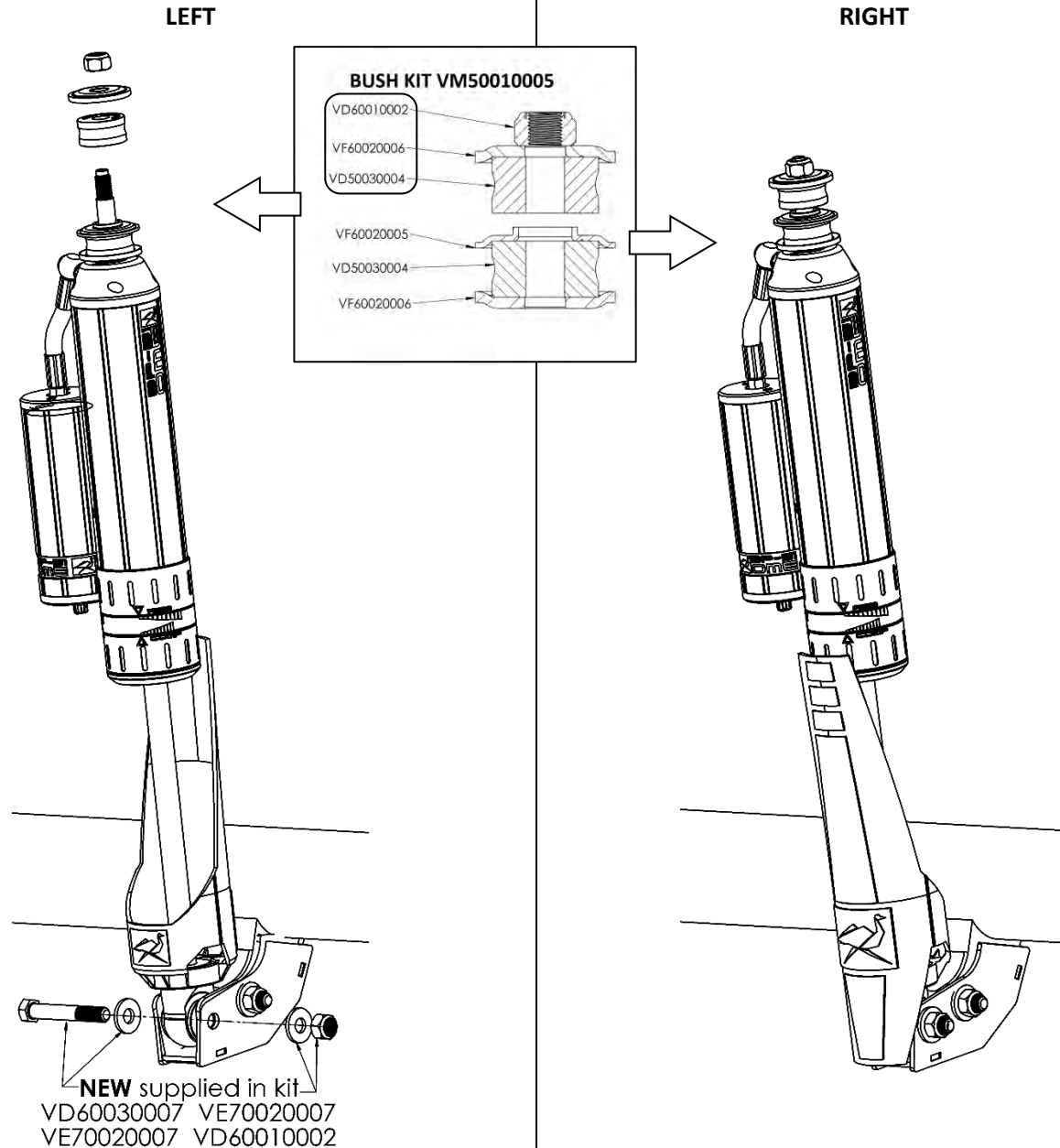
Fit the damper to the vehicle top mount first as described below. Remove the nut, top washer and top rubber bush. Fit such that the hose fitting is pointing towards the outside of the vehicle. Insert into top shock mount, then fit the Bush (VD50030004), Washer (VF60020006) and secure with M12 nut (VD600100002) as shown by the diagram. To hold the damper body still while tightening the top nut place a Phillips head screwdriver into one of the holes adjacent to the hose fitting.

**Torque to 108 Nm (80 ft.lbf).**

### Lower Mount

Fit the lower eye of the shock to the newly installed bracket using the M12x70 bolt, washers and nuts supplied as shown in the diagram.

**Torque to 108 Nm (80 ft.lbf).**



## RESERVOIR MOUNTING

### Step 1

Slide the reservoir mount clamp (VE10010003) over the reservoir. Fit M6 to the reservoir mount bracket (VE10020017), as shown in diagram and secure finger tight only.

### Step 2

Fit reservoir mounting bracket on top of the chassis rail. On the Left Hand Side use new M8x25 bolts supplied. On the Right Hand Side reuse the original bolts.

**Torque to 25Nm (18 lbf.ft).**

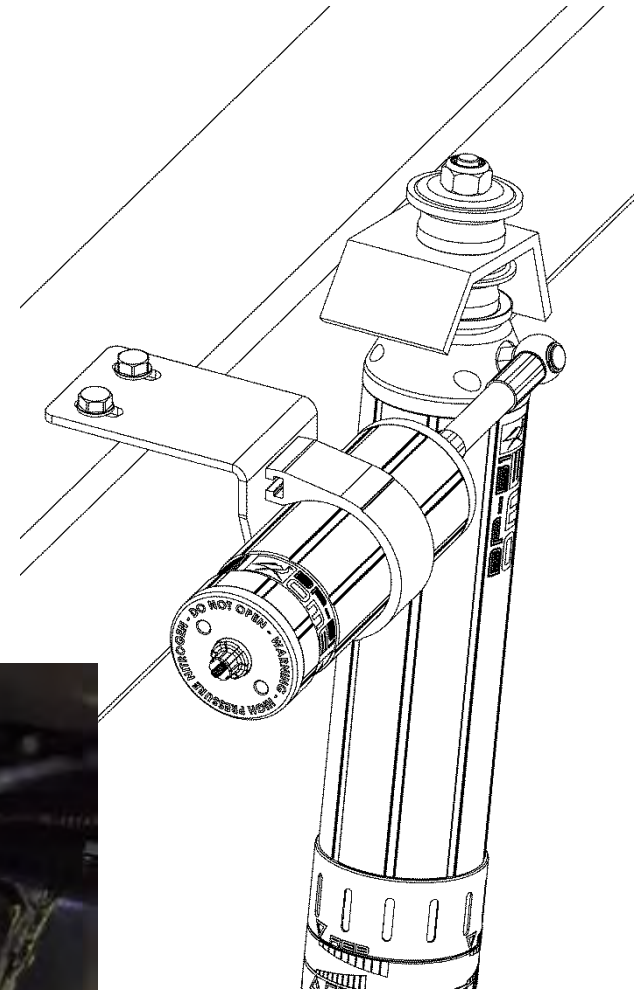
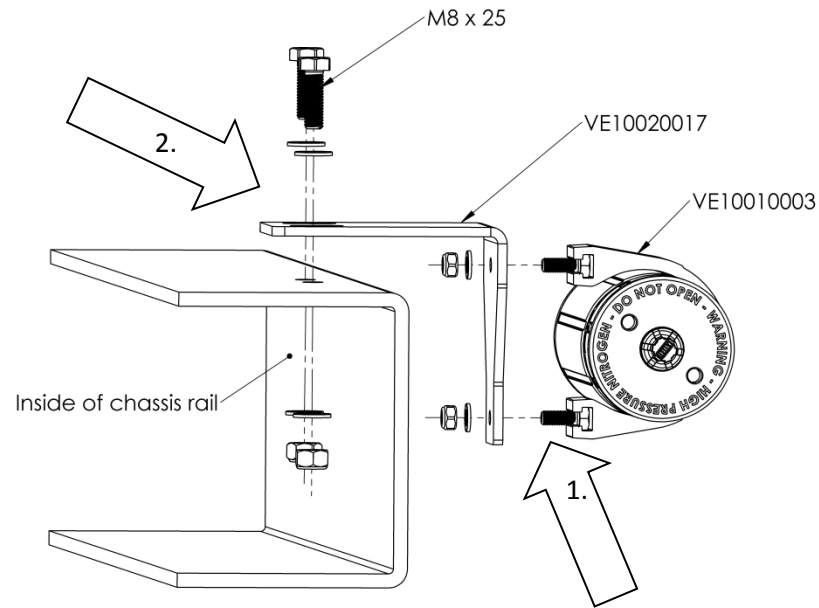
Note position of reservoir to clamp shown by the photos as a guide.

Fasten hardware securely and torque where specified.

### Step 3.

Tighten M6 hardware.

**Torque 12Nm (9 lbf.ft)**



## SPECIFICATIONS AND SPARE PARTS

1	Spare Part: Top Bush Kit	VM50010006SP
2	Spare Part: Hose	VD80020090SP
3	Spare Part: Oil	VC30040001SP
4	Specification: Nitrogen Pressure	2000 kPa
5	Specification: Factory Rebound Setting	3
6	Specification: Factory Compression Setting	3
7	Spare Part: Valve Cap	VD30020003SP
8	Spare Part: Stone Guard	VD31020260SP (Left) VD31010260SP (Right)
9	Spare Part: Stone Guard Mount Kit	VD31000003SP
10	Spare Part: Bottom Bush	VD50020001SP
11	Spare Part: Damper Mounting Kit	VM80010017

## DAMPING ADJUSTMENT

These dampers have been set in the factory to be used for a vehicle with accessories fitted. If your load or accessory fitment differs, use the table below as a guide for recommended compression (Comp) and rebound (Reb) adjuster settings. Refer to the Owner's Manual for more information.

Rear Load	Comp	Reb
0 – 200 kg	0-4	4-8
200 – 400 kg	2-6	6-10
400 – 600 kg	4-8	6-10

