



FITTING INSTRUCTIONS

Part Number: **4424010**

Product(s) **ROCK SLIDERS SUIT JIMNY**

Description:

Suited to **MY19 SUZUKI JIMNY**
vehicle/s:

WARNING

REGARDING VEHICLES EQUIPPED WITH SIDE AIR CURTAINS & SIDE AIRBAGS:

When installed in accordance with these instructions, the Rock Slider does not affect operation of the Side Air Curtains and Side Airbags.

ALSO, NOTE THE FOLLOWING:

- ◆ This product must be installed exactly as per these instructions using only the hardware supplied.
- ◆ In the event of damage to any Rock Slider component, contact your nearest authorised ARB stockist. Repairs or modifications to the impact absorption system must not be attempted.
- ◆ Do not use this product for any vehicle make or model, other than those specified by ARB.
- ◆ This product or its fixing must not be modified in any way.
- ◆ The installation of this product may require the use of specialized tools and/or techniques
- ◆ It is recommended that this product is only installed by trained personnel
- ◆ These instructions are correct as at the publication date. ARB Corporation Ltd. cannot be held responsible for the impact of any changes subsequently made by the vehicle manufacturer
- ◆ During installation, it is the duty of the installer to check correct operation/clearances of all components
- ◆ Work safely at all times
- ◆ Unless otherwise instructed, tighten fasteners to specified torque

ARB 4x4 ACCESSORIES

Corporate Head Office

42-44 Garden St
Kilsyth, Victoria.
AUSTRALIA. 3137.

Tel: +61 (3) 9761 6622
Fax: +61 (3) 9761 6807

Australian enquiries
North & South American enquiries
Other international enquiries

sales@arb.com.au
sales@arb.com.au
exports@arb.com.au

www.arb.com.au

GENERAL CARE AND MAINTENANCE

By choosing an ARB Rock Slider, you have bought a product that is one of the most sought after 4WD products in the world. Your rock slider is a properly engineered, reliable, quality accessory that represents excellent value. To keep your rock slider in original condition it is important to care and maintain it following these recommendations:



- Prior to exposure to the weather your rock slider should be treated to a Carnauba based polish on all exposed surfaces. It is recommended that this is performed on a six monthly basis or following exposure to salt, mud, sand or other contaminants.
- As part of any Pre Trip Preparation, or on an annual basis, it is recommended that a thorough visual inspection of the rock slider and surrounding components is carried out, making sure that all bolts are torqued to the correct specification. Also check that nearby wiring and plumbing are free of damage. Replace any components as necessary. This service can be performed by your local authorized ARB Stockist.

FITTING REQUIREMENTS

REQUIRED TOOLS FOR FITMENT OF PRODUCT:

Basic tool kit	Torque Wrench/Wrenches - (5Nm TO 44Nm)
Axle stands (optional)	Ring Spanners & Sockets; 16 & 17mm

HAVE AVAILABLE THESE SAFETY ITEMS WHEN FITTING THE PRODUCT:

Protective eyewear		Hearing protection	
--------------------	---	--------------------	---

NOTE: 'WARNING' notes in the fitting procedure relate to OHS situations, where to avoid a potentially hazardous situation it is suggested that protective safety gear be worn or a safe work procedure be employed. If these notes and warnings are not heeded, injury may result.

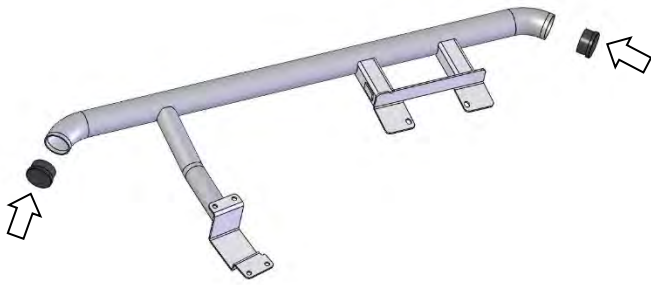
UNLESS OTHERWISE SPECIFIED, FASTENER TORQUE SETTINGS:

SIZE	Torque Nm	Torque lb/ft
M6	5Nm	4lbft
M8	22Nm	16lbft
M10	44Nm	32lbft

PARTS LISTING

APPLICATION.	PART NO.	QTY	DESCRIPTION
ROCK SLIDERS TO VEHICLE	6562792L	1	ROCK SLIDER WELDED ASSY LHS
	6562792R	1	ROCK SLIDER WELDED ASSY RHS
	3752394L	1	BRKT CHASSIS TOP LHS
	3752394R	1	BRKT CHASSIS TOP RHS
	4584361	20	WASHER M10X25X4 HV300 TZP 480
	5811033	4	M10 BOLT SLEEVE
	6151232	4	BOLT M10X1.5X30 ZP
	6151321	4	NUT FLANGE M10X1.5 ZP
	6151322	8	NUT NYLOC M10X1.5 PC8 TZP 480
	6151509	8	BOLT M10X1.5X110 GR8 ZP
	6500002	4	PLUG RUBBER 60.3 TUBE BLANKING PLUG
	215637	2	STKR DECAL ARB SMALL

FITTING PROCEDURE – PREPARATION TO VEHICLE

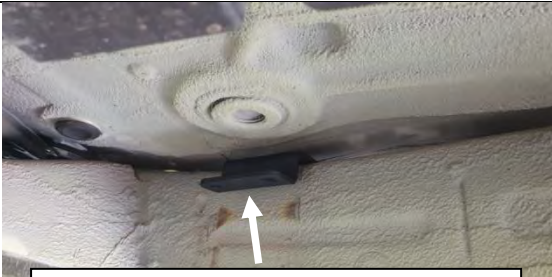


Install Rubber Plugs
RH Shown, LH Opposite

1. Install Rubber Plugs into both ends of the Rock Sliders as shown.



2. Identify 3752394 L&R. These will need to be positioned on top of chassis prior to fitting Rock Sliders



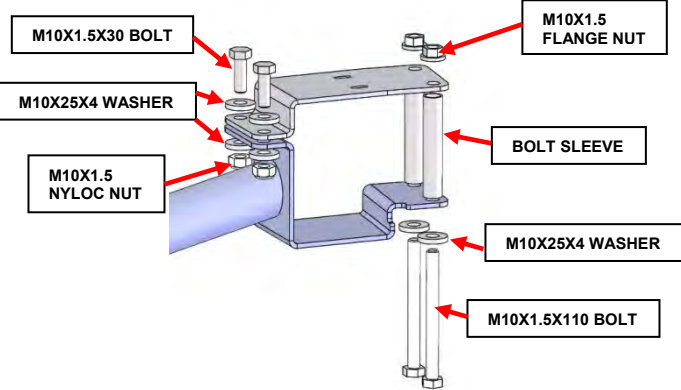
Return fold faces towards outside of vehicle

3. Slide brackets between chassis and floor of vehicle in the positions shown. Note the RHS bracket hangs over the brake lines (on RHD vehicles)

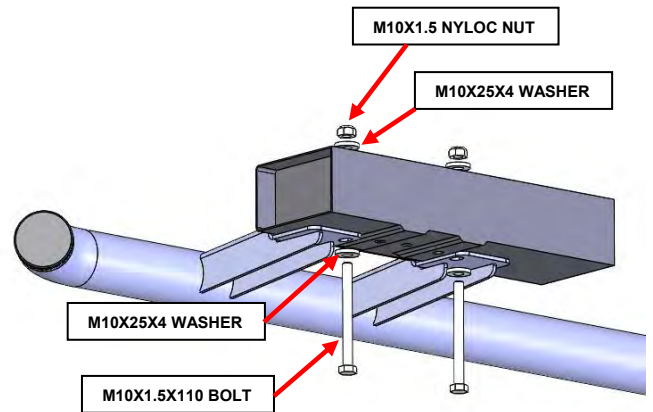




4. With the aid of somebody holding the rock slider in place or the use of axle stands, install fasteners into the front mount by hand as shown



5. Install fasteners into rear mount by hand as shown



6. Tighten all bolts to specified torque. When tightening the rear mount, ensure that the vertical face is hard against the chassis as shown.



M10 - 44 Nm





7. Rock Slider should look like this



8. The RHS Rock Slider front mount sits over the vehicle brake lines. **Ensure you don't damage the brake lines during installation**

9. Fit decal to plastic sill trim



FITTED PRODUCT

