

## ARB MODULAR WIRING LOOM

PART NO: M002

Suits two headlight high/low beam vehicles and outer high/low beam headlights in 4 headlight vehicles.

### **FITTING KIT**

1x M002L loom only

4x 10-24 x 40 Tek screws

2x P1512X relays

6x TY25MX cable ties.

1x P2512X relay

**SPECIAL NOTE:** The relays supplied with this loom kit are special dual polarity units with spike protection for prevention of damage to vehicle electronics. Spare relays are available from ARB stockists throughout Australia. Failure to use correct relays will cause serious damage to the vehicle and headlight failure.

**NOTE:** If fitting this loom to a customer's vehicle please leave these instructions in the vehicle and bring the special note above, to the attention of the owner.

- 1 Unpack and layout loom noting location and type of connectors as per diagram 1, page 3.
- 2 Find a suitable location in your engine bay to mount the relay blocks and fuses making sure that the battery wires and headlight wires will reach their respective locations. We recommend you keep the relays and fuses as high as possible avoiding hot spots, moving parts and any sharp edges. (You may wish to leave room for our high beam only and driving light looms if these are to be added in the future. Each of these looms has one relay block.)
- 3 Using the screws provided, mount the relays and fuses.
- 4 Using the cable ties provided, run the wires to their respective locations, again avoiding sharp edges, hot spots and moving parts.
- 5 Remove the original plugs from your headlights. Plug the M002 plugs onto the headlights and the M002 pick-up plug into the original loom. As some vehicles have a different method of switching their headlights, some changes may have to be made to the loom. Please check the list on Page 4 to see if you need to make any changes.
- 6 On all vehicles the two single pin connectors (A & B) at the base of the relays, need to be untaped and plugged together. Failure to do this can cause premature failure of components and will void your warranty.
- 7 Connect the battery wires, red to (+) positive and black to (-) negative.
- 8 The final step is to plug in the relays and as they are not all the same care needs to be taken. Relay 2 and 3 switch the high and low beam respectively and are Pro-quip P1512X. Relay 1 is a control relay and has a changeover contact. Its part number is P2512X and must only be plugged into relay 1 base. Refer to Page 3 for information about identifying Relay 1 base.

# Diagram 1 - Circuit Diagram

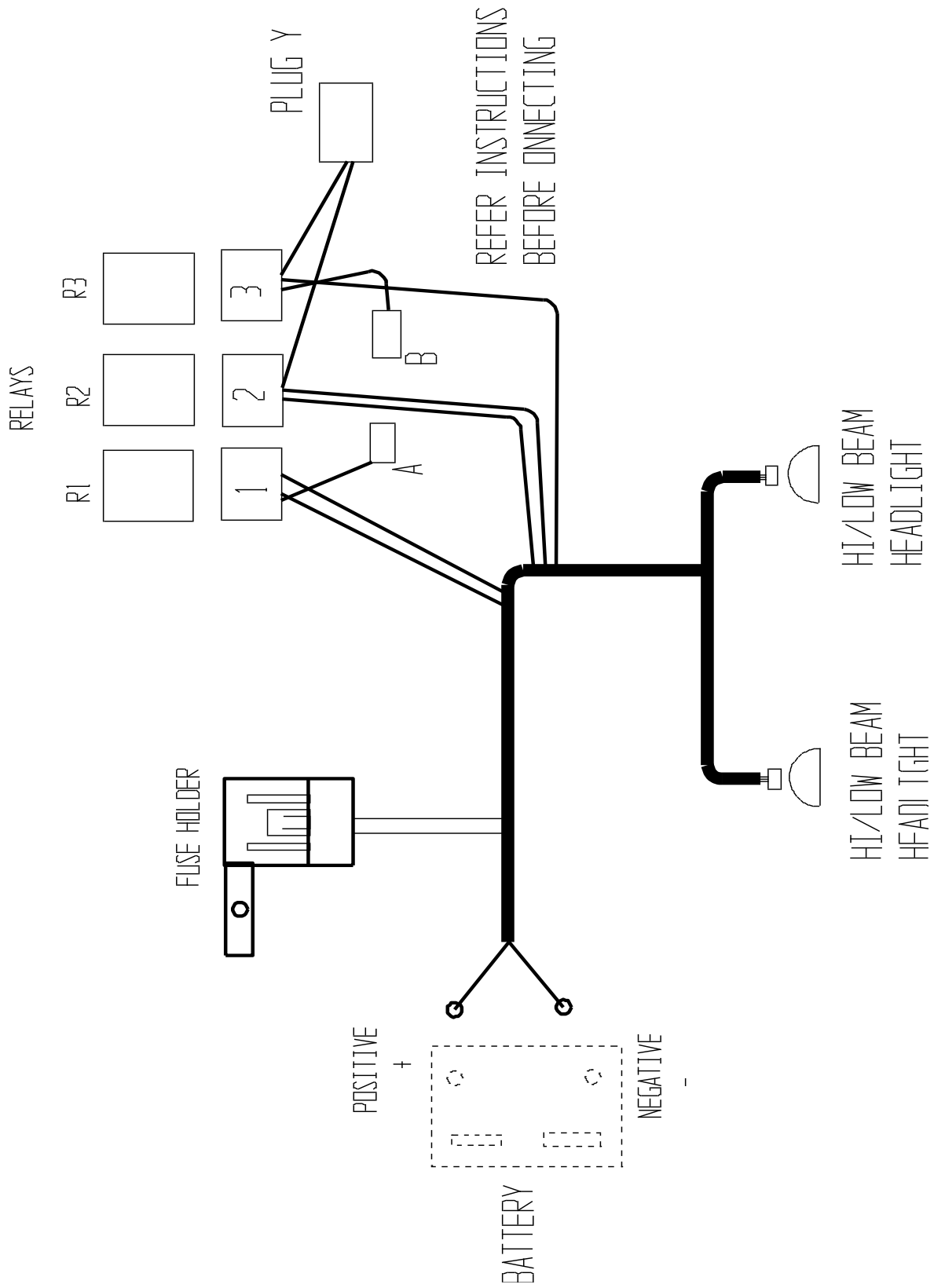
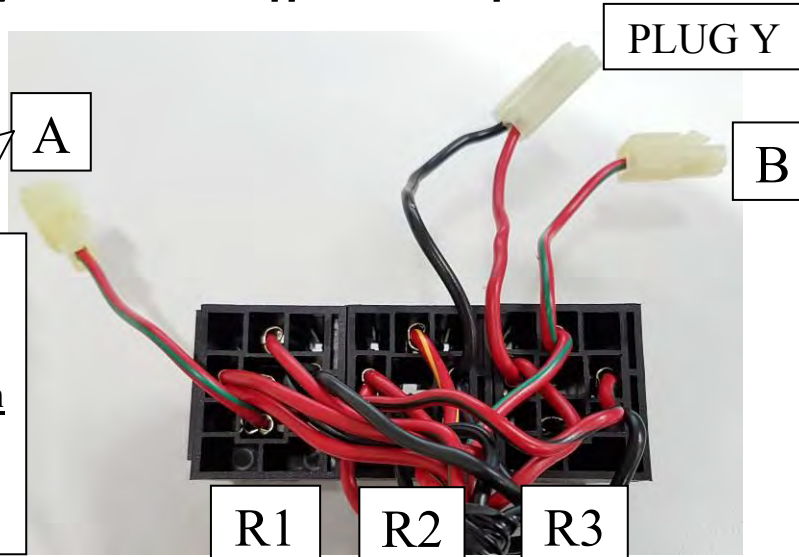
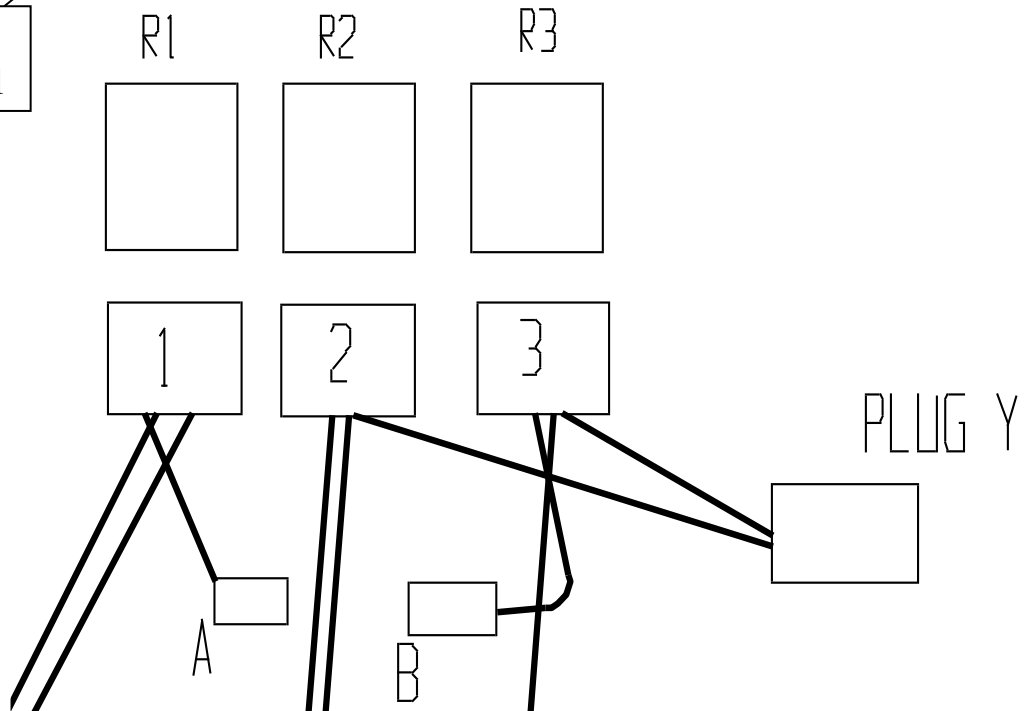


Diagram 2 - Visual Indicators for R1 (Step 7)



Note extra terminal in R1



R1 has **single** 1-way connector (A) whereas R2 and R3 have **both** 1-way (B) and 2-way connector (PLUG Y)

## **SPECIAL INSTRUCTIONS FOR SOME EARLY TOYOTA VEHICLES – refer note 5**

### **A. Early 80 series fitted with sealed beams**

There are small adaptors fitted between the original wiring loom and the headlights. When fitting the M002 pick-up plug into the original headlight socket this adaptor needs to be removed. If you are retaining the sealed beams these adaptors need to be refitted onto the M002 headlight plugs.

### **B. 60 series with 4 rectangular lights**

When fitting the M002 loom into this vehicle the wires on the pick-up plug need to be changed. To do this you need to push a fine jeweler's screwdriver into the slots on the mating face of the plug as shown in diagram 3 and at the same time pull the connection out of the back of the plug. After pulling all three out, bend the locking tabs back out and replace the wires as shown in diagram 4.

**NOTE:** If retaining original headlight assemblies some reworking of wiring may be required similar to the modification to the pick-up plug shown below.

**N.B:** For safety reasons, if you are not confident doing this your local auto electrician or ARB stockist will be able to help.

DIAGRAM 3 - MATING FACE

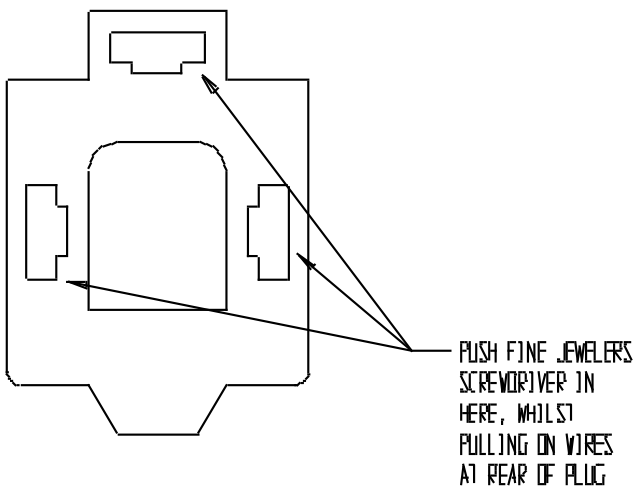


DIAGRAM 4 - CABLE ENTRY SIDE

