

FITTING INSTRUCTIONS

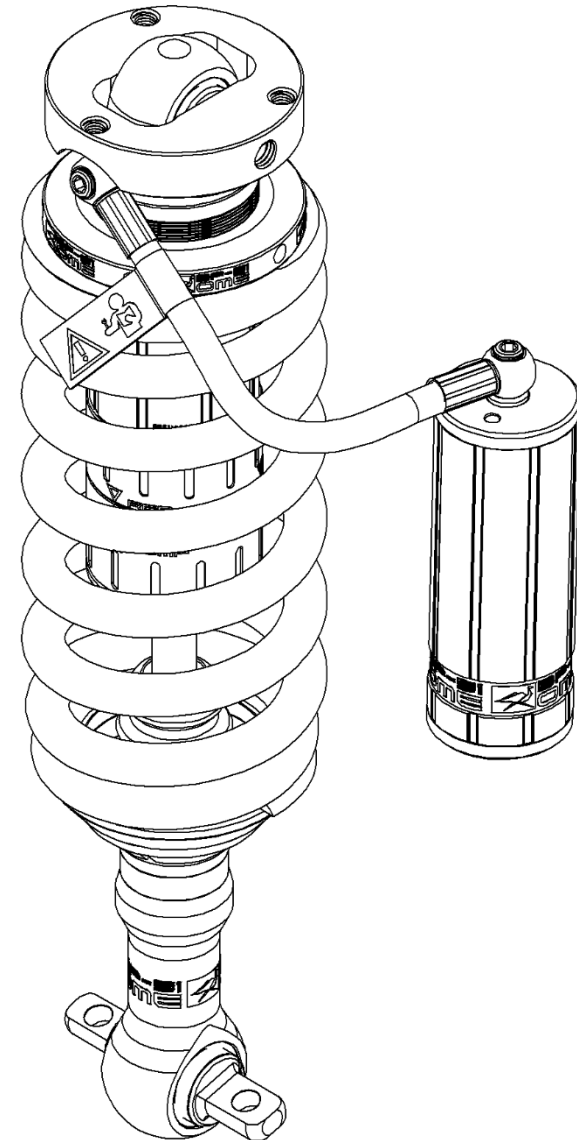
BP5190013L & BP5190013R

FORD RANGER P375U FRONT

WARNING

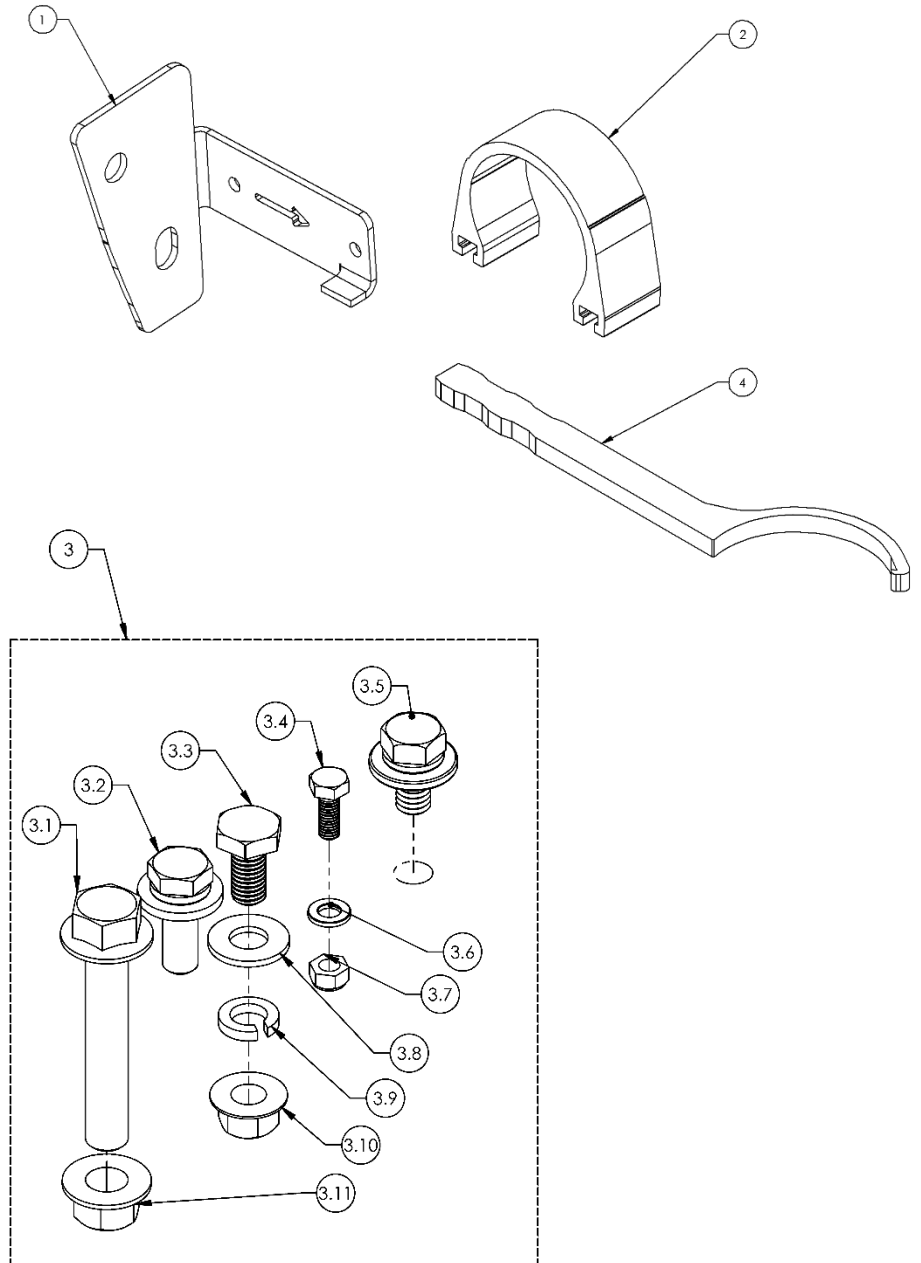
- ◆ This product must be installed exactly as per these instructions using only the hardware supplied.
- ◆ In the event of damage to any suspension component, contact your nearest authorised ARB stockist. Repairs or modifications to the suspension system components must not be attempted.
- ◆ Do not use this product for any vehicle make or model, other than those specified by ARB.
- ◆ Do not remove labels from suspension components.
- ◆ This product or its fixing must not be modified in any way.
- ◆ The installation of this product may require the use of specialized tools and/or techniques
- ◆ It is recommended that this product is only installed by trained personnel
- ◆ These instructions are correct as at the publication date. ARB Corporation Ltd. cannot be held responsible for the impact of any changes subsequently made by the vehicle manufacturer
- ◆ During installation, it is the duty of the installer to check correct operation/clearances of all components
- ◆ Work safely at all times

Note: These fitting instructions should be read in conjunction with the vehicle workshop manual.



FITTING KIT CONTENTS – VM80010043

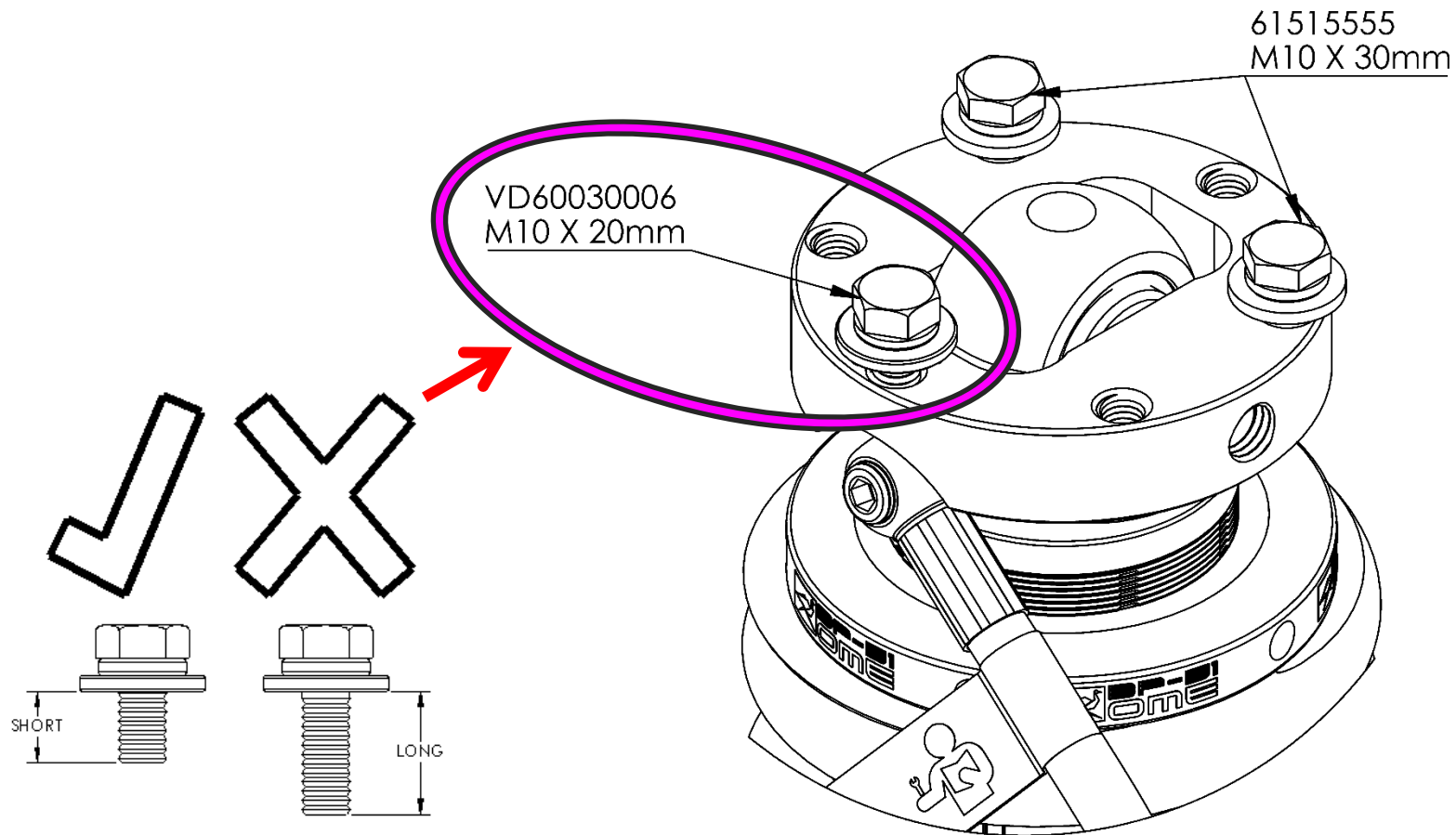
Item	Description	Qty.	Part No.
1	FRONT RESI BRACKET LEFT	1	VE10020040L
	FRONT RESI BRACKET RIGHT (SHOWN)	1	VE10020040R
2	RESERVOIR CLAMP	2	VE10010003
3	RANGER PX3 BP51 FASTENER KIT	2	VM60010036
3.1	M12 X 1.25 X 70 HX FL BOLT	4	6152022
3.2	M10 X 1.5 X 30MM BOLT	4	6151555
3.3	M10 X 1.5 X 20MM BOLT	4	VD60030005
3.4	M6 X 16MM BOLT	4	VD60030003
3.5	M10 X 1.5 X 20MM BOLT	2	VD60030006
3.6	M10 FLAT WASHER 25MM	4	4584361
3.7	M6 SMALL WASHER	4	VE70020005
3.8	M6 NYLOCK NUT	4	VD60010003
3.9	M10 FLAT WASHER 22.	4	4584380
3.10	M10 SPRING WASHER	4	4581292
3.11	M10 FL NUT	4	6151752
3.11	NUT FL M12 X1.25	4	6152023
4	ADJUSTER TOOL	1	VC10010071
5	F/INST BP-51 P375U RANGER FRONT	1	VM90010052
6	MANUAL: OWNERS MANUAL	1	VM90020001





CAUTION!

Ensure VD60030006 M10 x 20mm SEMS is installed above hose fitting.
Failure to do so will result in severe DAMAGE to the BP-51



**DAMPER PREPARATION
(SPRING PRE-LOAD ADJUSTMENT)**

Before fitment, the spring preload may need to be adjusted to suit your front accessory fitment and desired ride height.

Use workshop tool kit VM80020001 to aid spring adjustment.
Refer to BP-51 Service and Parts Manual 1.2_Coilover Spring Adjustment for more detail.

The preload is set at the factory to 10mm as shown by the diagram. This aims to achieve around 50mm increase in ride height over OE when a Bull bar and a winch are fitted.

Preload must be set before the strut assembly is fitted to the vehicle. Use a spring compressor to compress the spring, loosen the pinch bolt (1) on the preload ring and adjust (2) to the desired setting (See table below).

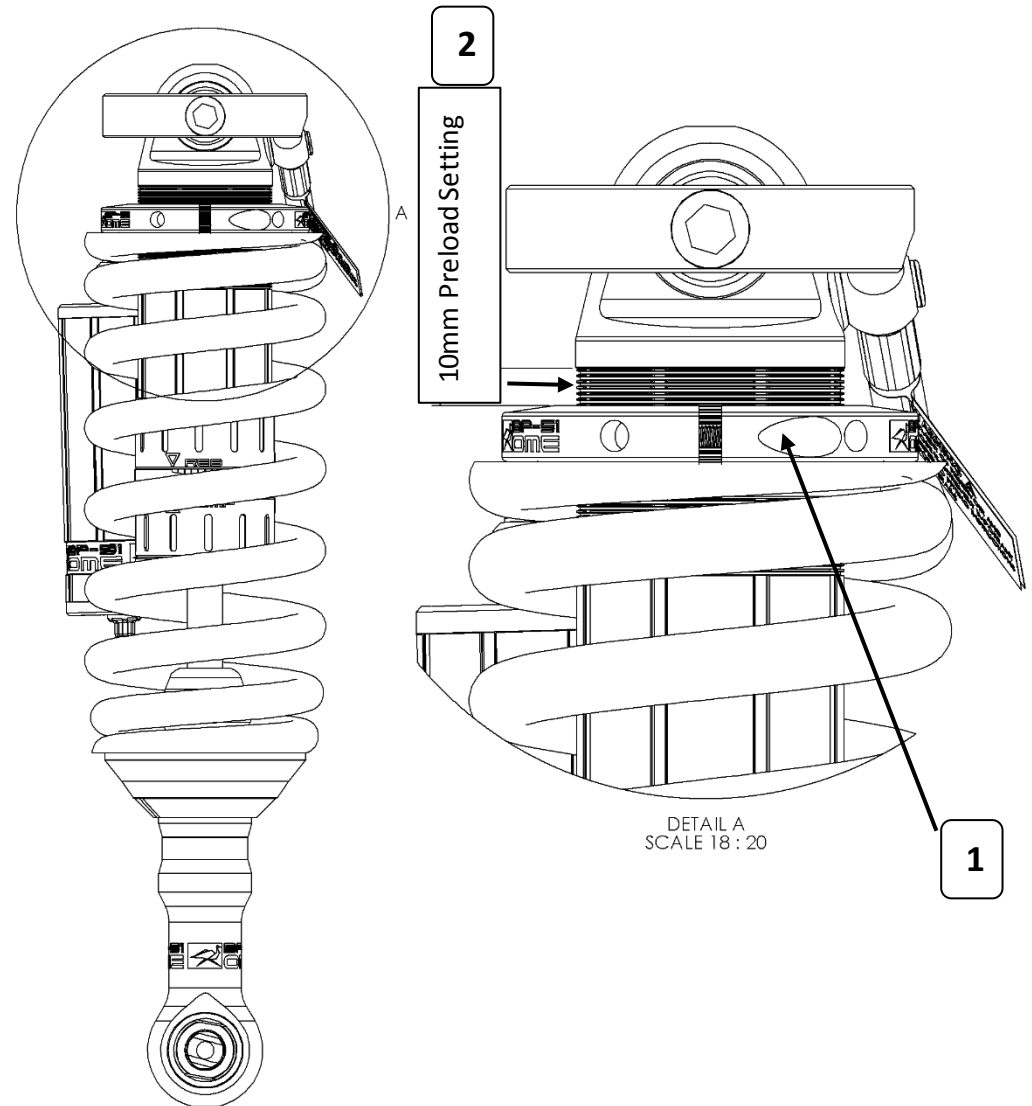
Tighten the pinch bolt and remove the strut assembly from the spring compressor.

As a guide, set the preload as specified below to achieve around 50mm (2") increase in ride height.

Front Accessories	Preload (mm)
Bar, Winch, UVP +	15
Bar & Winch	10
Bar only	5
No accessories	0

Spring preload must only be adjusted when a spring compressor is used to take load off the preload ring.

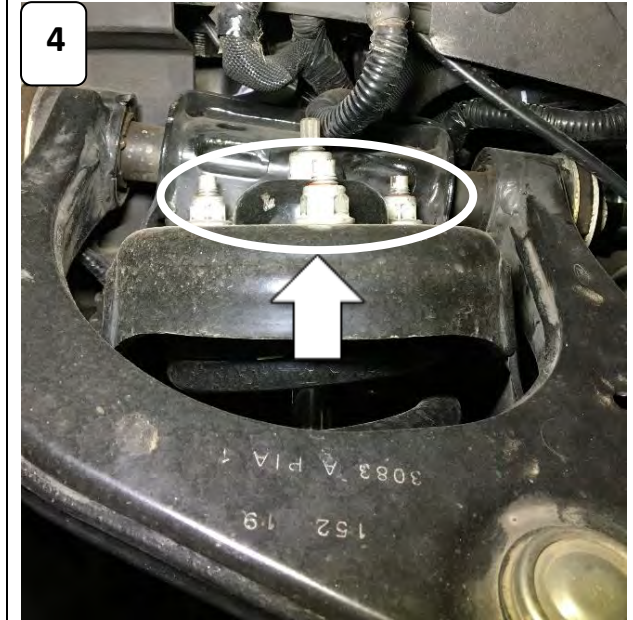
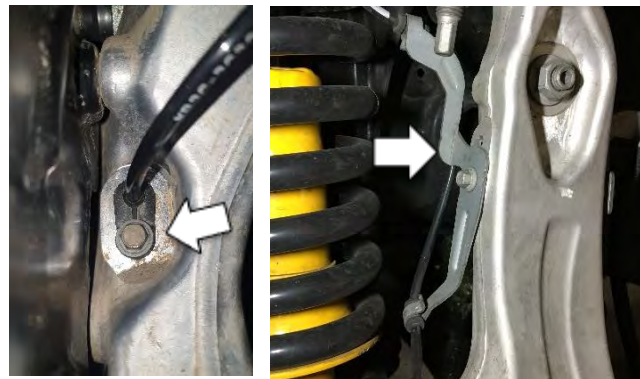
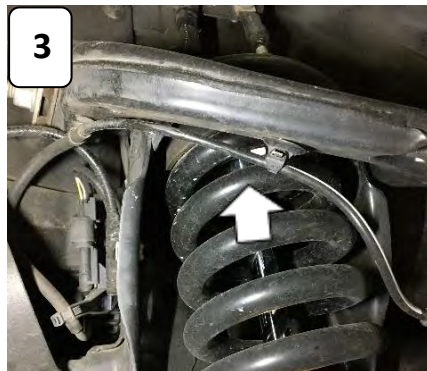
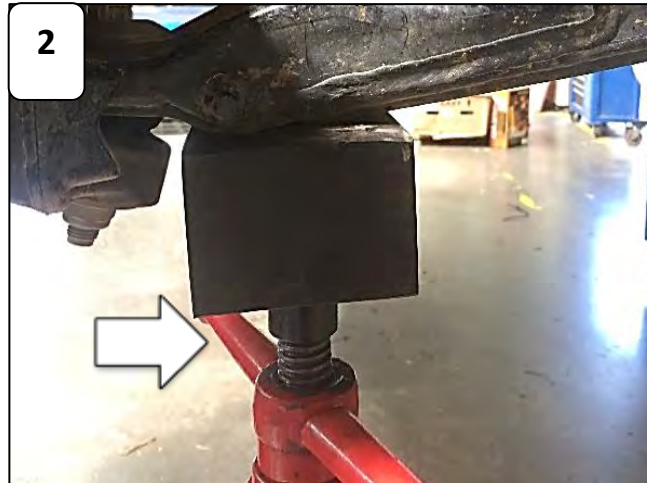
DO NOT attempt to adjust preload with load on the spring when fitted to the vehicle.



VEHICLE PREPARATION (REMOVING STRUT)

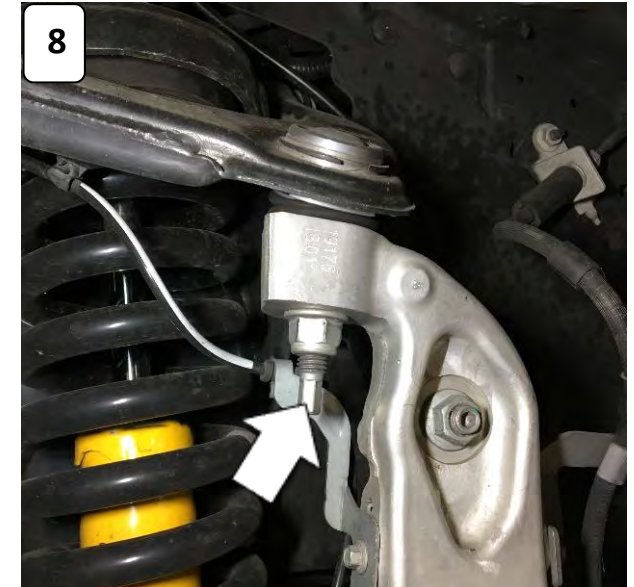
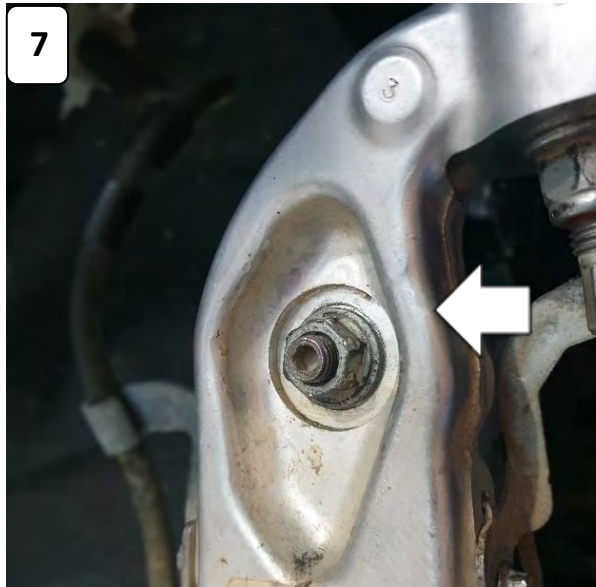
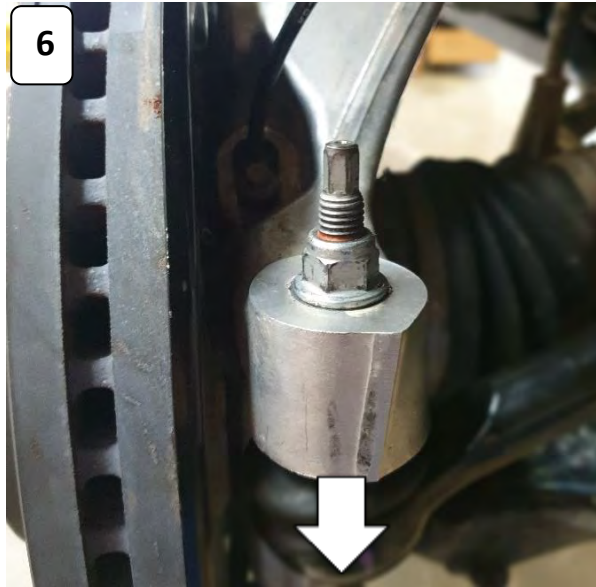
Use the following steps as a guide to remove strut. Ford P375U Ranger workshop manual may also be used where available to remove the strut.

1. Remove wheel.
2. Support the Lower Control Arm with a jack stand or similar.
3. Detach ESC line.
4. Remove top mounting nuts (X3).
5. Loosen the lower mounting nuts on the pins or bolts.



VEHICLE PREPARATION CONTINUED...

6. Detach the steering rack ball joint from the upright.
7. Detach the sway bar link from the upright.
8. Detach the upright from the upper control arm (UCA). Take care to prevent the drive shaft from dropping out.
9. Remove lower mounting bolts/pins and remove the strut from the vehicle.
10. Take care to prevent the drive shaft from dropping out. Re-attach the upright to the upper control arm (refer to picture No.8) loosely until the BP-51 is ready to be installed.



DAMPER MOUNTING SEQUENCE

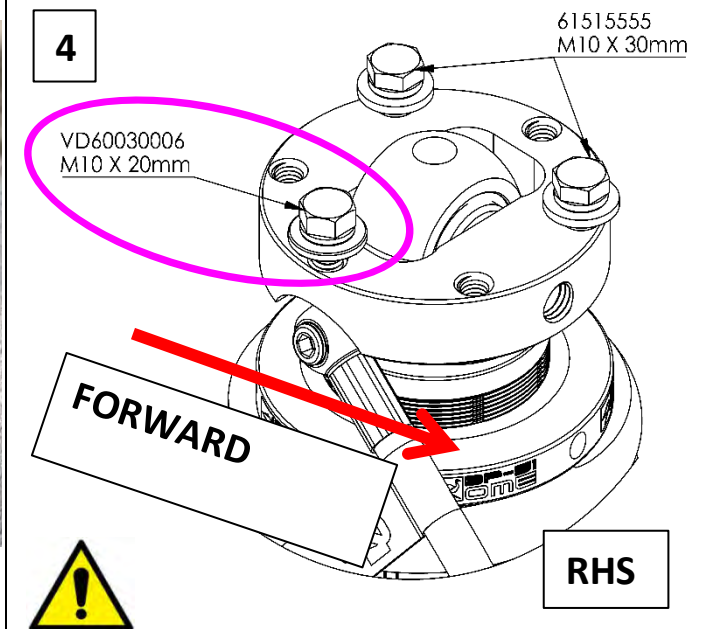
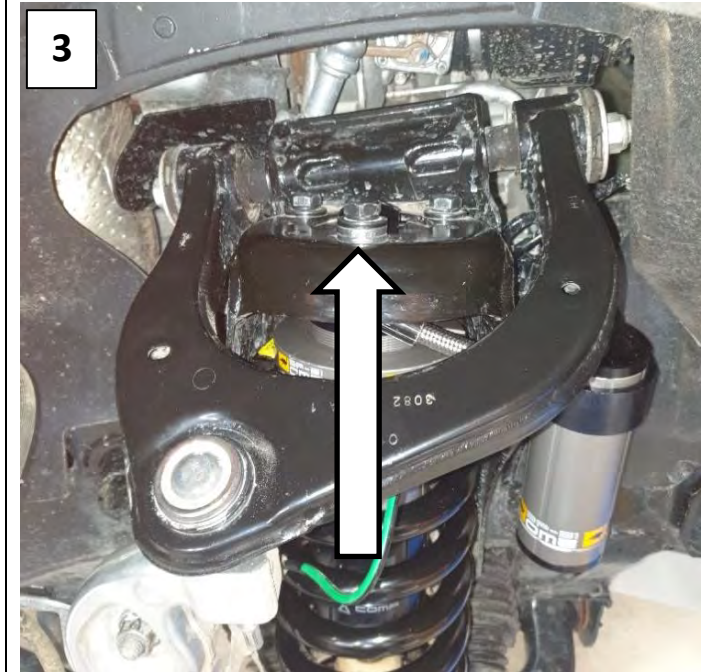
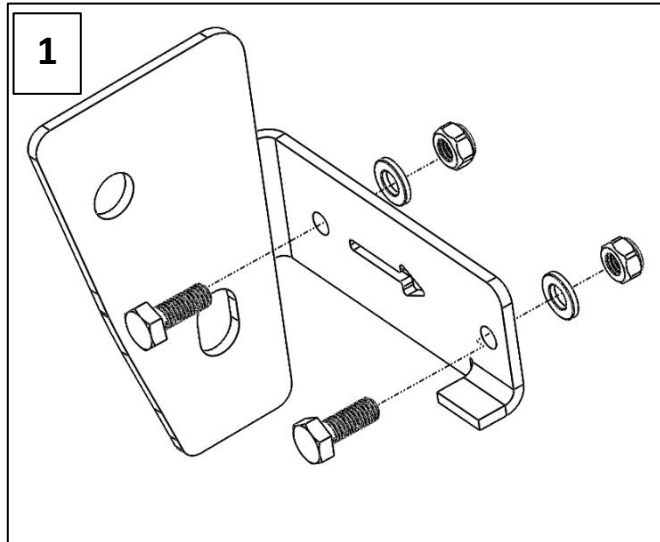
The Left and Right Hand sides are the same with the exception of the way the hose exits the damper. L and R is etched on the damper part number. When mounted in the vehicle the hose and reservoir should be forward of the strut tower.

Top Mount:

1. Pre assemble the reservoir bracket as shown
2. Detach ABS cable from strut tower
3. Install the damper and secure the top mount with bolts and washers as shown in the pictures and diagram. Finger tight only.
4. **CAUTION!** Ensure 2X 4584361 M10 X 4MM Washers are installed above hose fitting. Failure to do so will result in severe DAMAGE to the BP-51.



(Right Hand Side Shown)




DAMPER MOUNTING SEQUENCE


Bottom Mount:

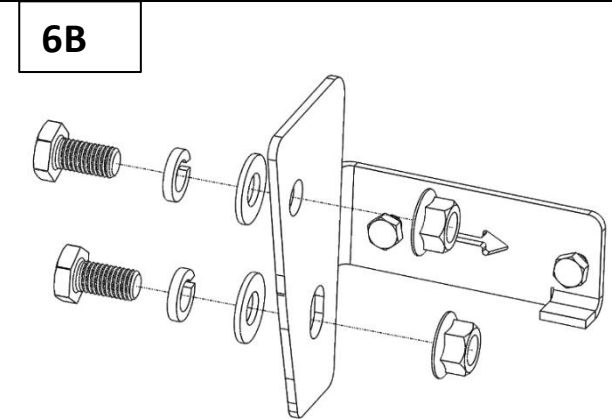
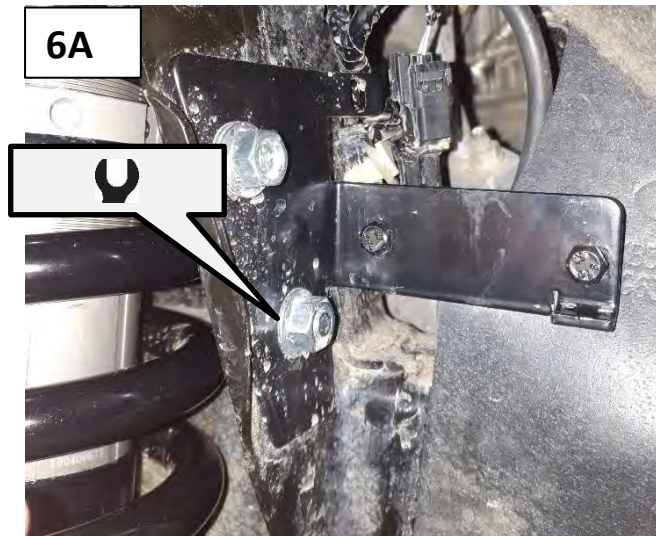
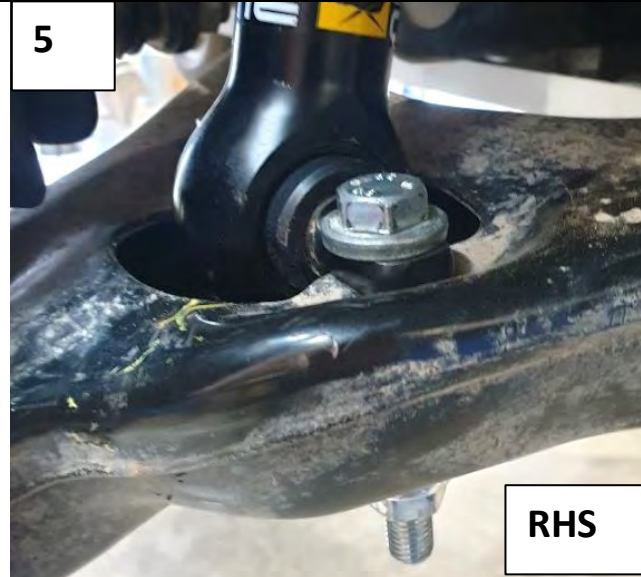
5. Install the M12 Flange bolts in the lower strut mount and secure using the flange nuts supplied
Finger tight only

6. Fit the resi bracket to the forwards side of the shock tower.

 **VD60030005, 44 N.m (32 ft.lbf)**

7. Slide the reservoir clamp over the reservoir

Fastener  Torque settings	
Fastener	Torque N.m (ft.lbf)
Upper Control Arm	103 (76)
Sway Bar Link	115 (85)
ESC bracket	6 (4)
Steering tie rod end to upright	63(46)
Top Shock Tower	44 (32)
Lower Shock Cross Pin and Nut	100 (73)
Lower Shock bolts	120 (88)
Resi Bracket to Tower	44(32)



DAMPER MOUNTING SEQUENCE

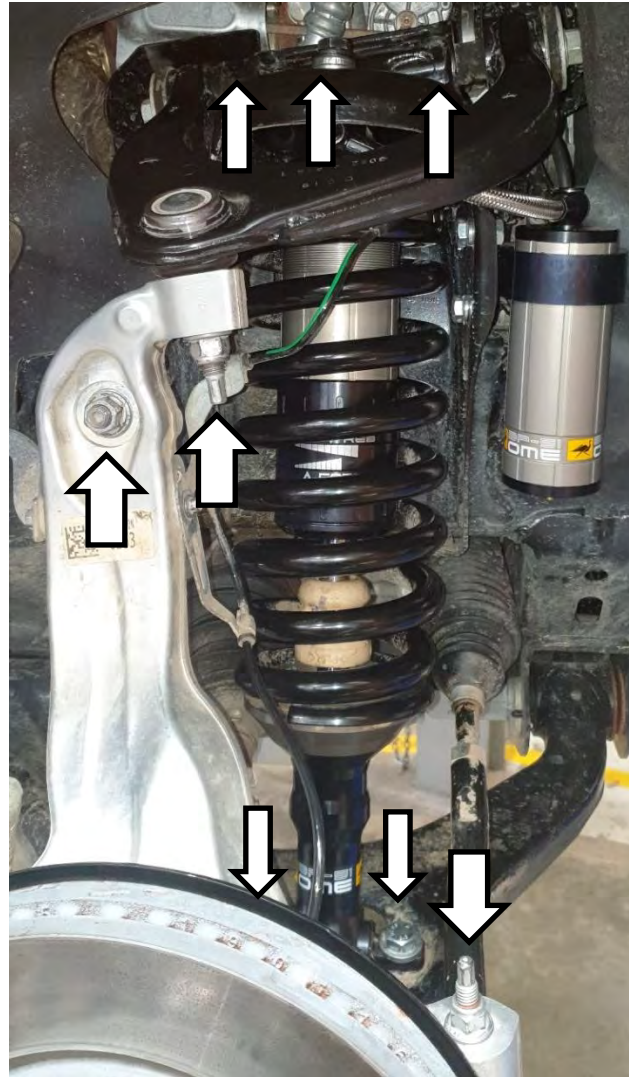
Bottom Mount Continued:

8. Reattach all the components to the vehicle in the reverse way of detaching them

- Lower strut bolts
- Upper control arm
- Sway bar link
- Tie rod to steering knuckle
- Top strut turret
- Esc cable

Fastener Torque settings

Fastener	Torque N.m (ft.lbf)
Upper Control Arm	103 (76)
Sway Bar Link	115 (85)
ESC bracket	6 (4)
Steering tie rod end to upright	63(46)
Top Shock Tower	44 (32)
Lower Shock Cross Pin and Nut	100 (73)
Lower Shock bolts	120 (88)
Resi Bracket to Tower	44(32)



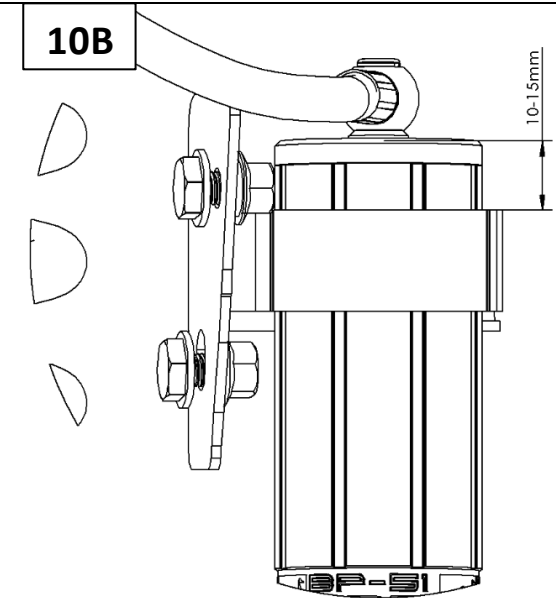
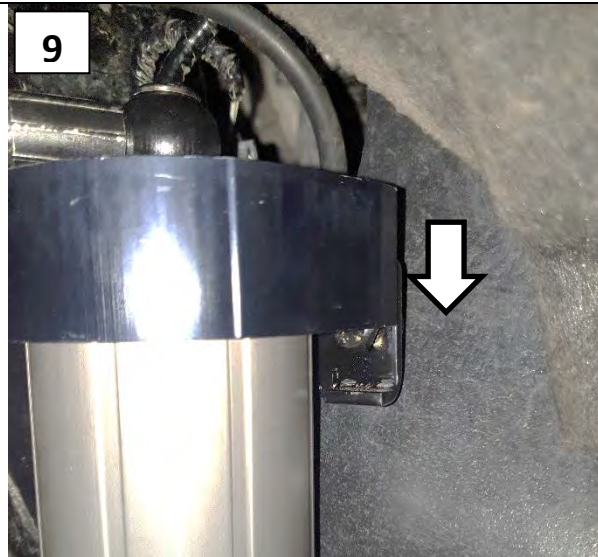
DAMPER MOUNTING SEQUENCE

Bottom Mount Continued:

9. Slide the reservoir into the M6 Bolt heads as show
10. Secure the reservoir with 15mm above the clamp

 Reservoir clamp 12 N.m (9 ft.lbf)

11. Ensure at full drop the ABS wire is not contacting the braided hose.



DAMPING ADJUSTMENT

These dampers have been set in the factory to be used for a vehicle with Bull Bar and Winch fitted.

If your accessory fitment differs, use the table below as a guide for recommended Compression and Rebound adjuster settings.

Refer to the Owner's Manual for more information.

Front Accessories	Compression	Rebound
Factory setting	3	6
Bar & winch	4-8	6-10
Bar only	2-6	5-9
No accessories	0-4	4-8

SPECIFICATIONS

1	Extended Length	503 mm
2	Compressed Length	402 mm

SPARE PARTS

Refer to Service and Parts manual, section: **BP-51 S&P 3.1-BP5190013L&R.**

